



### Key Features

- Overmoulded, flexible whip
- Various connector options
- Tuned to specific frequency
- RoHS compliant

### General Description

The Siretta Delta 10 series is a dedicated family of  $\frac{1}{4}$  wave, omnidirectional stub antennas tuned to a centre frequency of 2.4GHz and with a gain of 3dBi.

They are supplied with a choice of RF connectors ensuring compatibility with many of today's ISM band radio modules and equipment working on the 802.11 & 15 frequency range. These include technologies such as ZigBee, WLAN, Bluetooth and 6LowPan.

### Additional Considerations

- Rugged construction for portable equipment
- Ideal for many popular radio modules and equipment
- Optimised for use on 2.4GHz equipment
- Meets all EU compliance criteria for electronic goods

Rev 1.1

## Key Specifications - Electrical

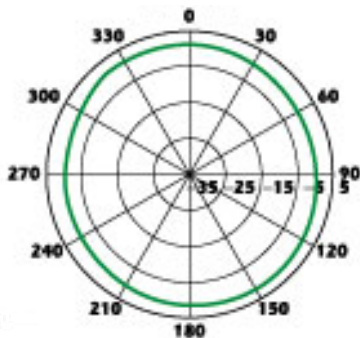
Temperature range:	-40 to +85°C
Impedance:	50 ohm
Gain:	3dBi
VSWR:	<1.5:1
Polarization:	Vertical
Centre frequency:	2.4GHz
Radiating element:	¼ wave dipole

## Key Specifications - Mechanical

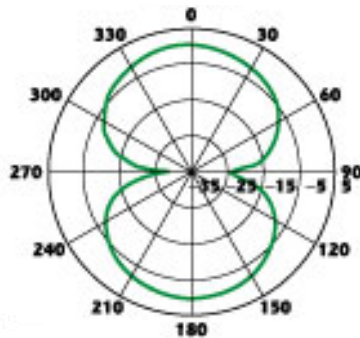
Dimensions:	38mm x 14mm
Connector:	SMA or SMA RP
Mounting method:	Direct connect

## Test Reports

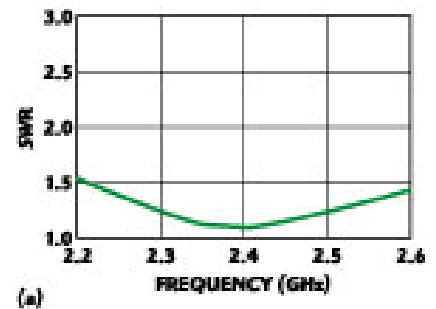
H-Plane



E-Plane



VSWR



## Ordering Details

Part Number	Description
DELTA10/X/SMAM/S/S/X	Stubby 2.4GHz ¼ Wave Antenna, SMA Male Connector
DELTA10/X/SMAM/RP/S/X	Stubby 2.4GHz ¼ Wave Antenna, SMA Male Reverse Polarity Connector