

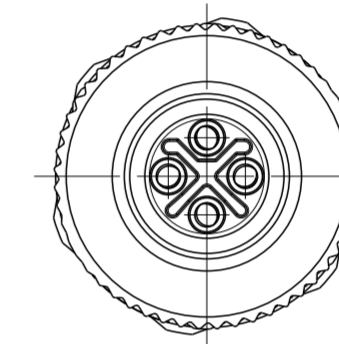
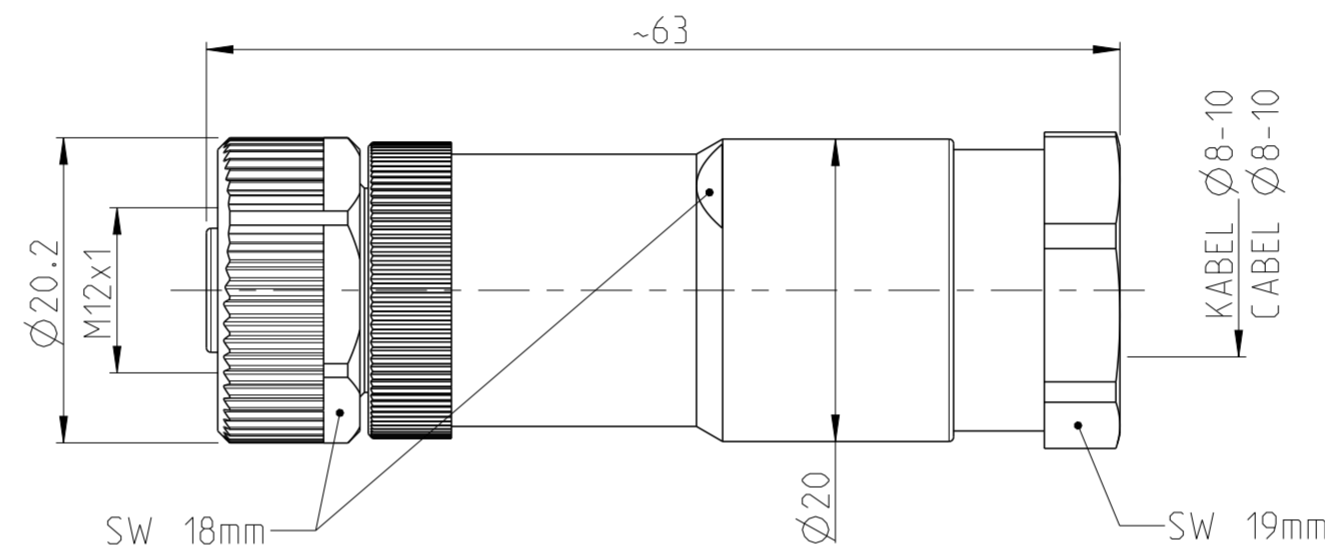
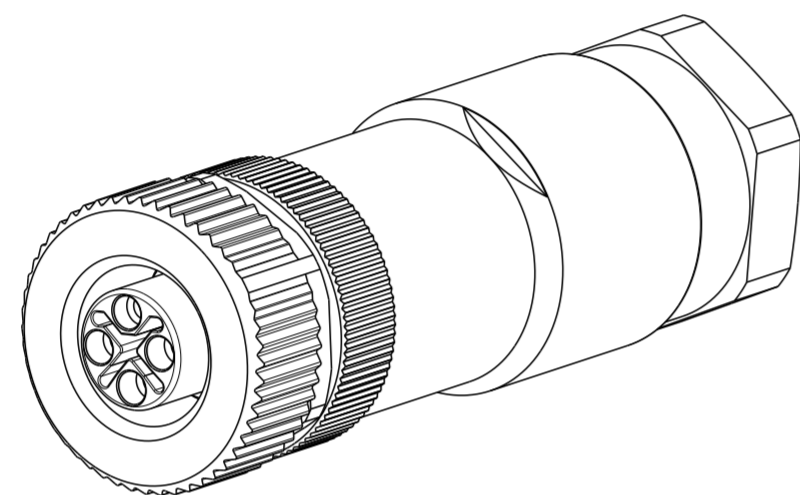
REVISIONS ÄNDERUNGEN				
P	LTR	DESCRIPTION BESCHREIBUNG	DATE	APVD
	A1	NEW DRAWING	27JUN2014	YR CS

- 1 MATERIAL: ITEM NO. 1: HOUSING - PA
 ITEM NO. 2: CONTACT BODY - PA
 ITEM NO. 3: CONTACT - CuZn (brass)
 CONTACT FINISH - Au (gold)

2 ALL DIMENSIONS ARE FOR NOMINAL REFERENCE ONLY UNLESS OTHERWISE STATED

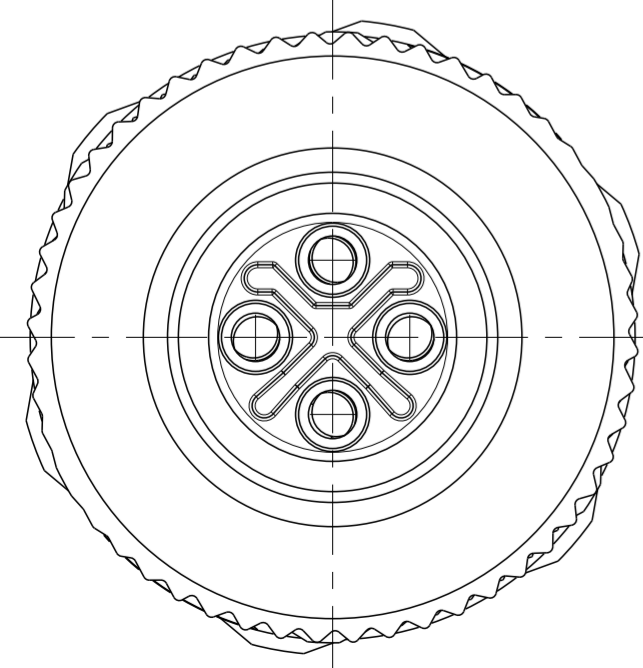
3 MEASUREMENT REFERENCE ONLY

4 PACKAGING: 1 PIECE IN A BAG



PIN ARRANGEMENT
S-CODING (SCALE 4:1)

0-2120950-1



TECHNICAL DATA	0-2120950-1
RATED VOLTAGE	630V
RATED IMPULSE VOLTAGE	6000V
POLLUTION DEGREE	3
OVERVOLTAGE CATEGORY	III
MATERIAL GROUP	III
RATED CURRENT	12A
VOLUME RESISTIVITY	≤ 3mΩ
DEGREE OF PROTECTION	IP67
UPPER TEMPERATURE	+85 °C
LOWER TEMPERATURE	-40 °C

8-10	16 / 1.50	⚠	4	0-2120950-1
CABLE FEED-THROUGH mm	WIRES AWG / mm ²	MATERIAL	NUMBER OF POLES	TE-PART-NO.

DIESE ZEICHNUNG IST EIN KONTROLLIERTES DOKUMENT.
BEMASSUNGEN UND TOLERANZEN GEMAESS GPS (ISO STANDARDS).

THIS DRAWING IS A CONTROLLED DOCUMENT.
DIMENSIONING AND TOLERANCING PER GPS (ISO STANDARDS).

DIMENSIONS: MASSE IN HEINEN: (MM)	TOLERANCES UNLESS OTHERWISE SPECIFIED: ALLGEMEINTOLERANZEN	DWN YASHKUMAR 27JUN2014	TE Connectivity	NAME M12 RECEPTACLE CONNECTOR, STRAIGHT, FIELD INSTALLABLE, POWER, S-CODED
		CHK M. STRELOW 27JUN2014		
		APVD C. SCHREITTLINGER 27JUN2014		
		PRODUCT SPEC PRODUKTSPEZ.		
		APPLICATION SPEC VERARBEITUNGSSPEZ.	SIZE A2	CAGE CODE 00779
MATERIAL	FINISH/OBERFLÄCHE/FARBE	WEIGHT GEWICHT	DRAWING NO. ZEICHNUNGS-NR. C-2120950	RESTRICTED TO NUR FÜR
		Customer Drawing	/KUNDENZEICHNUNG	SCALE MASSSTAB 2:1
			SHEET BLATT 1	OF 1
			REV A1	

SIZE ISO 14405 (E)