

## General Specifications

### Motor Protection:

Auto Restart/Polarity Protection

### Insulation Resistance:

10M Ω or over with a DC500V Megger

### Dielectric Withstand Voltage: AC 700V 1s

### Allowable Ambient Temperature Range:

-10°C ~ +70°C (Operating)

-30°C ~ +70°C (Storage)

(non-condensing environment)

## Expected Life

### Failure Rate: 10%

40°C 70,000 Hours (L10)

## Material

Casing : Plastic (Black) UL94V-0

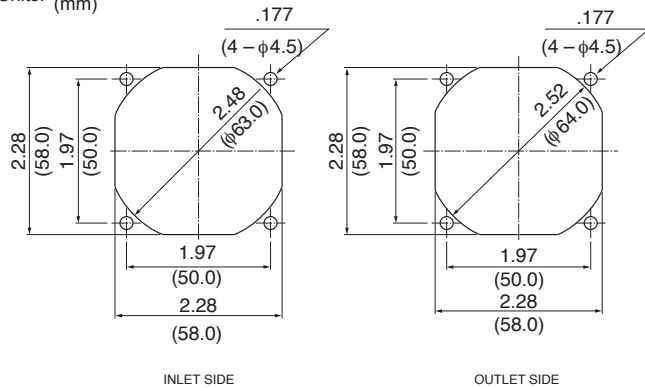
Impeller : Plastic (Black) UL94V-0

Bearing : Ball Bearing

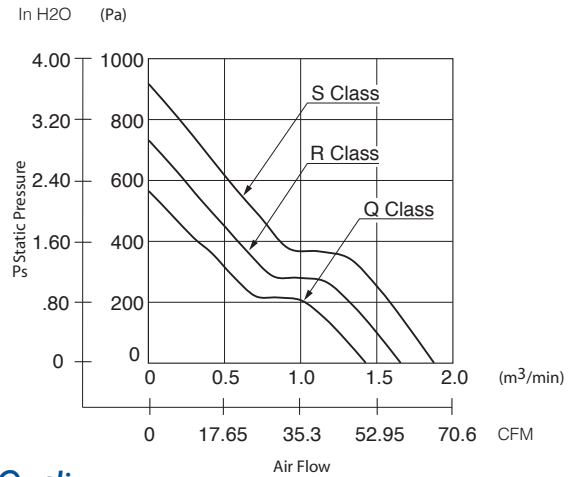
Lead Wire : UL10368, AWG24, +Red, -Black

## Panel Cut-Outs

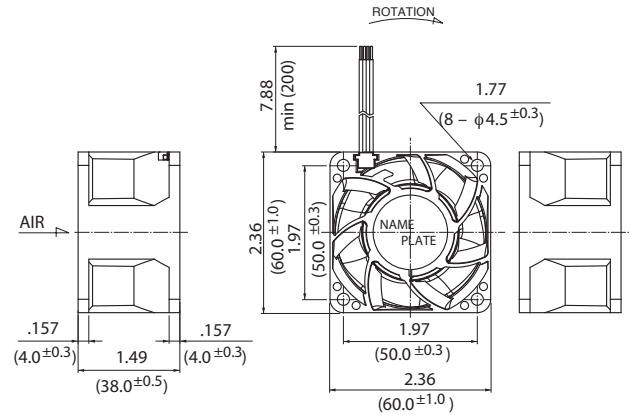
Units:  $\frac{\text{inch}}{\text{mm}}$



## Characteristic Curves



## Outline



## Specifications

MODEL	Rated Voltage	Operating Voltage	Current	Input Power	Speed	Max. Air Flow		Max. Static Pressure		Noise	Mass
	(V)	(V)	(A) <sup>*1</sup>	(W) <sup>*1</sup>	(min <sup>-1</sup> ) <sup>*1</sup>	CFM <sup>*1</sup>	(m <sup>3</sup> /min) <sup>*1</sup>	in H <sub>2</sub> O	(Pa) <sup>*1</sup>	(dB) <sup>*1</sup>	(g)
06038DA-12Q-EA-D0	12	10.8 ~ 13.2	0.78	9.40	13000	50.5	1.43	2.31	575.0	58.0	123
06038DA-12R-EA-D0	12	10.8 ~ 13.2	1.16	14.00	15000	58.6	1.66	2.97	740.0	61.5	123
06038DA-12S-EA-D0	12	10.8 ~ 13.2	1.65	19.80	17000	66.4	1.88	3.71	925.0	63.5	123

Rotation: Clockwise

Airflow Outlet: Air Out Over Struts

\*1: Average Values in Free Air

Note: PWM/Locked Rotor/Tach Available