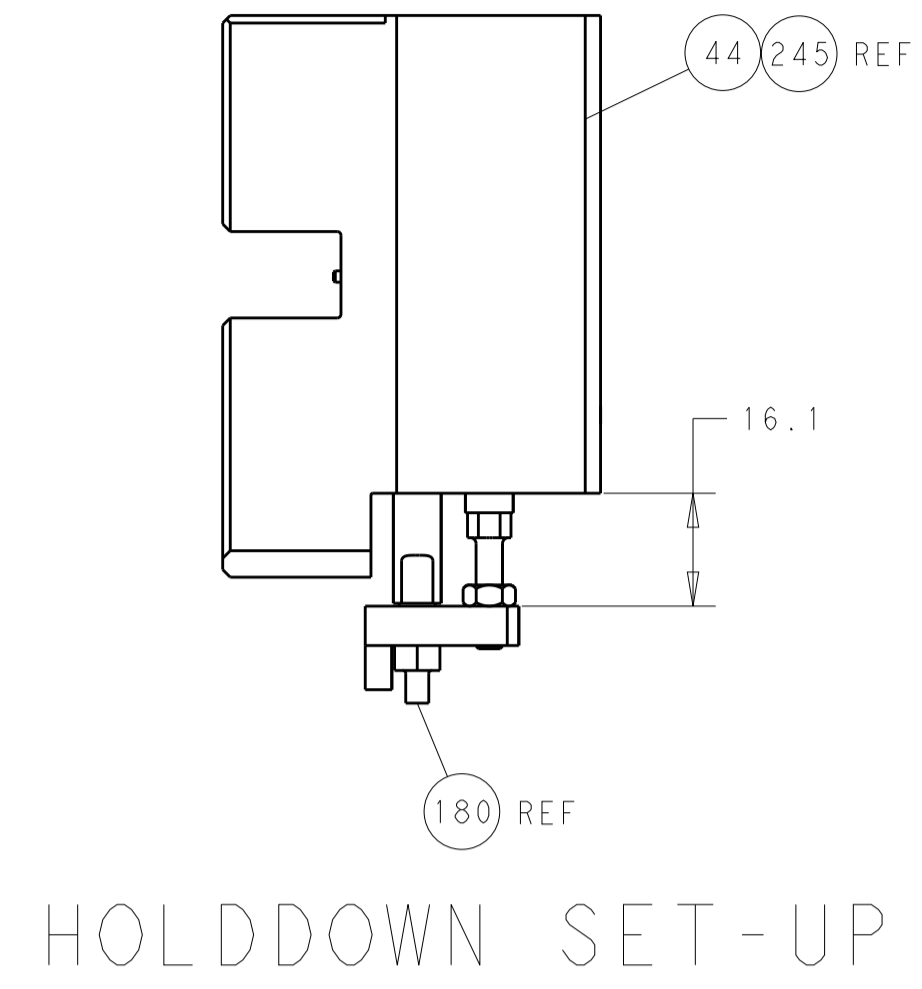
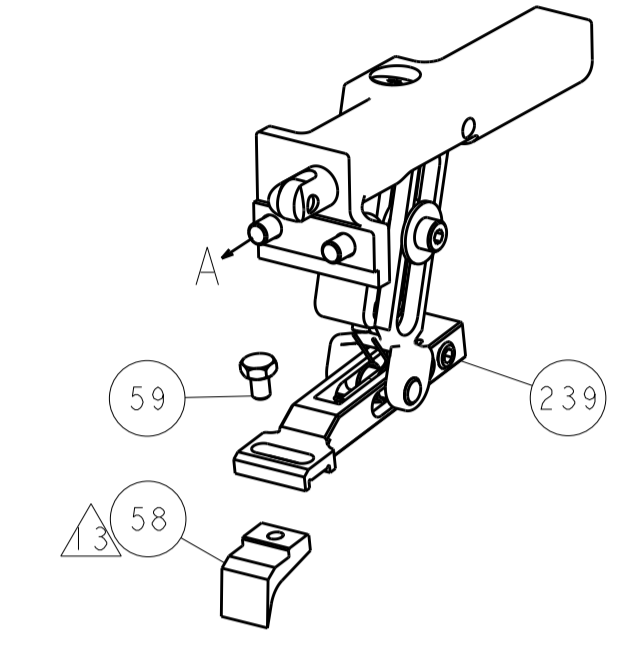


LOC	DIST	REV	DATE	BY	CHKD	APVD
A	66					

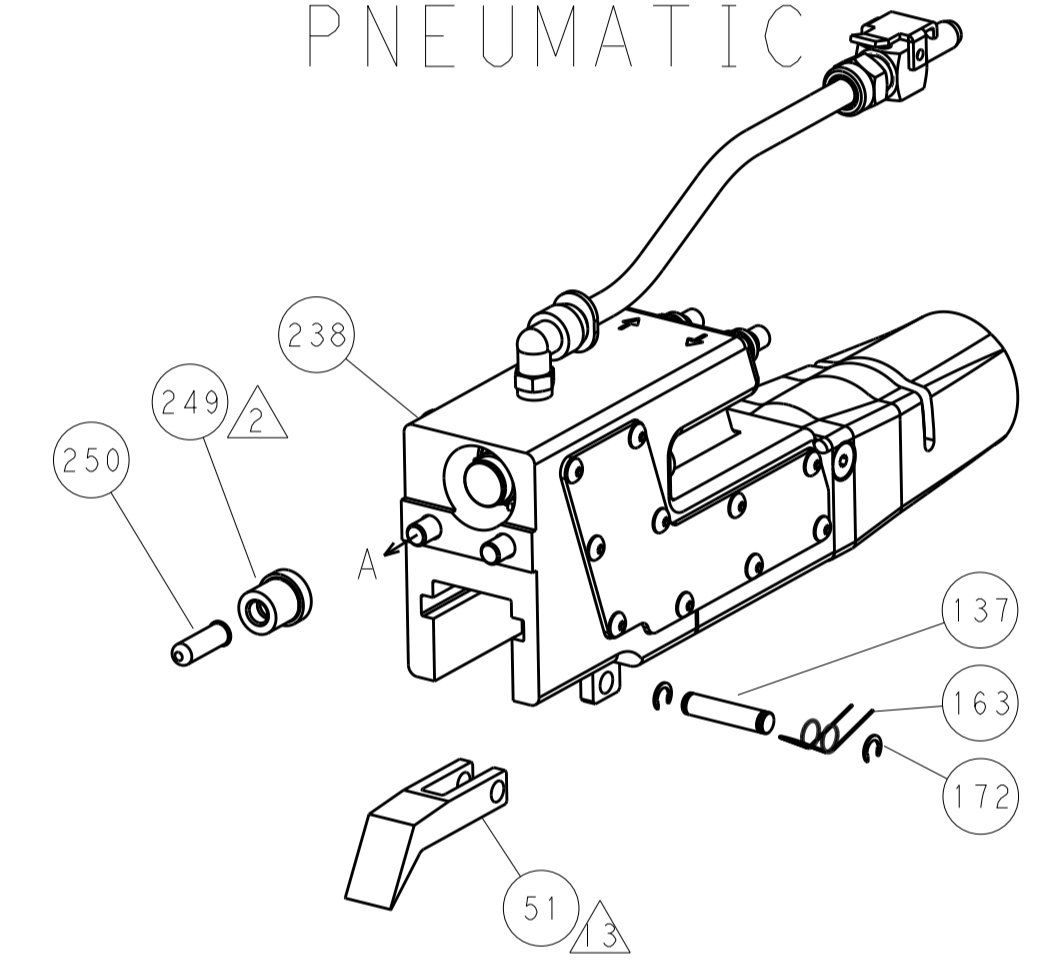
REVISIONS			
NO.	DESCRIPTION	DATE	BY
1	SEE SHEET 1		



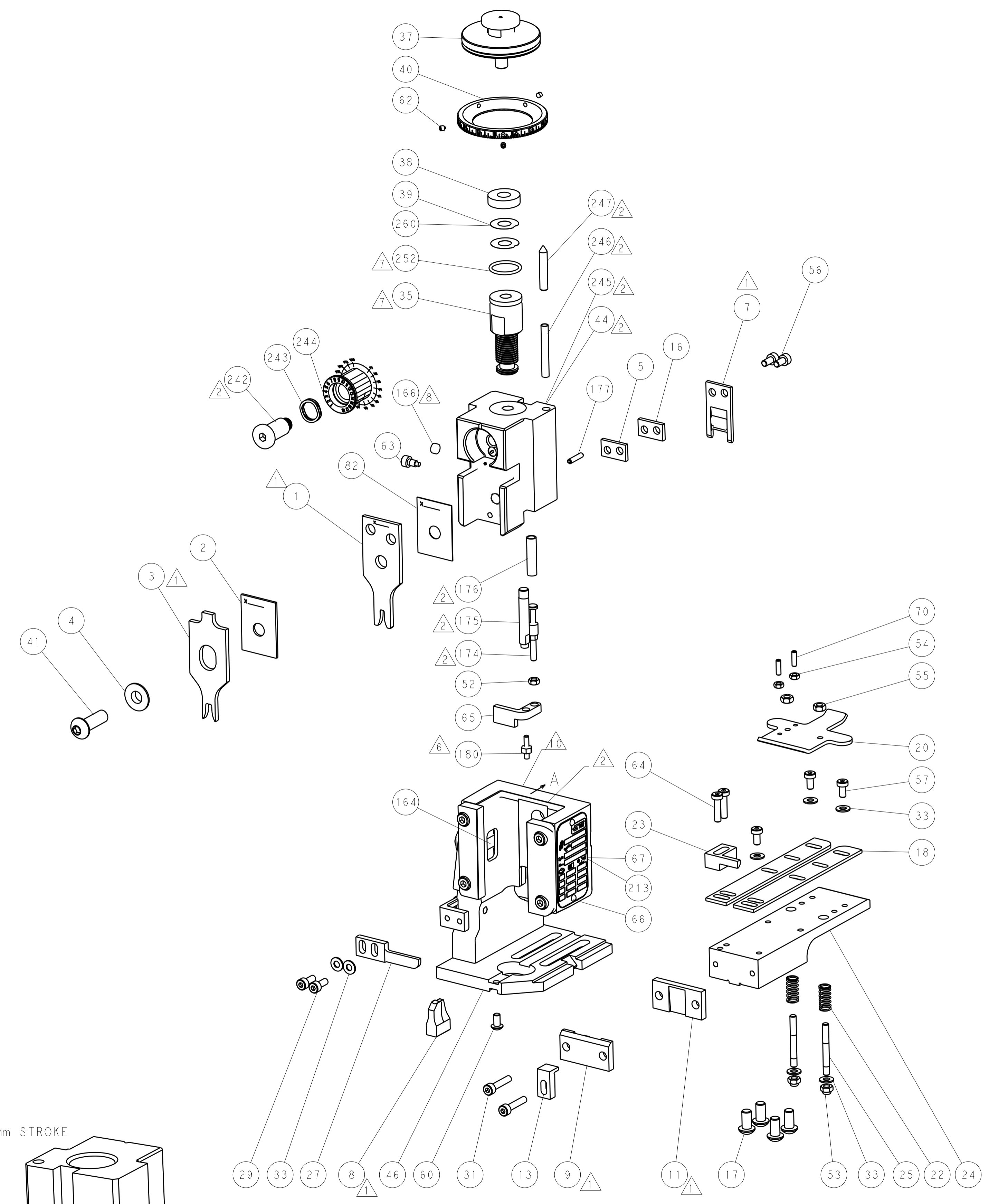
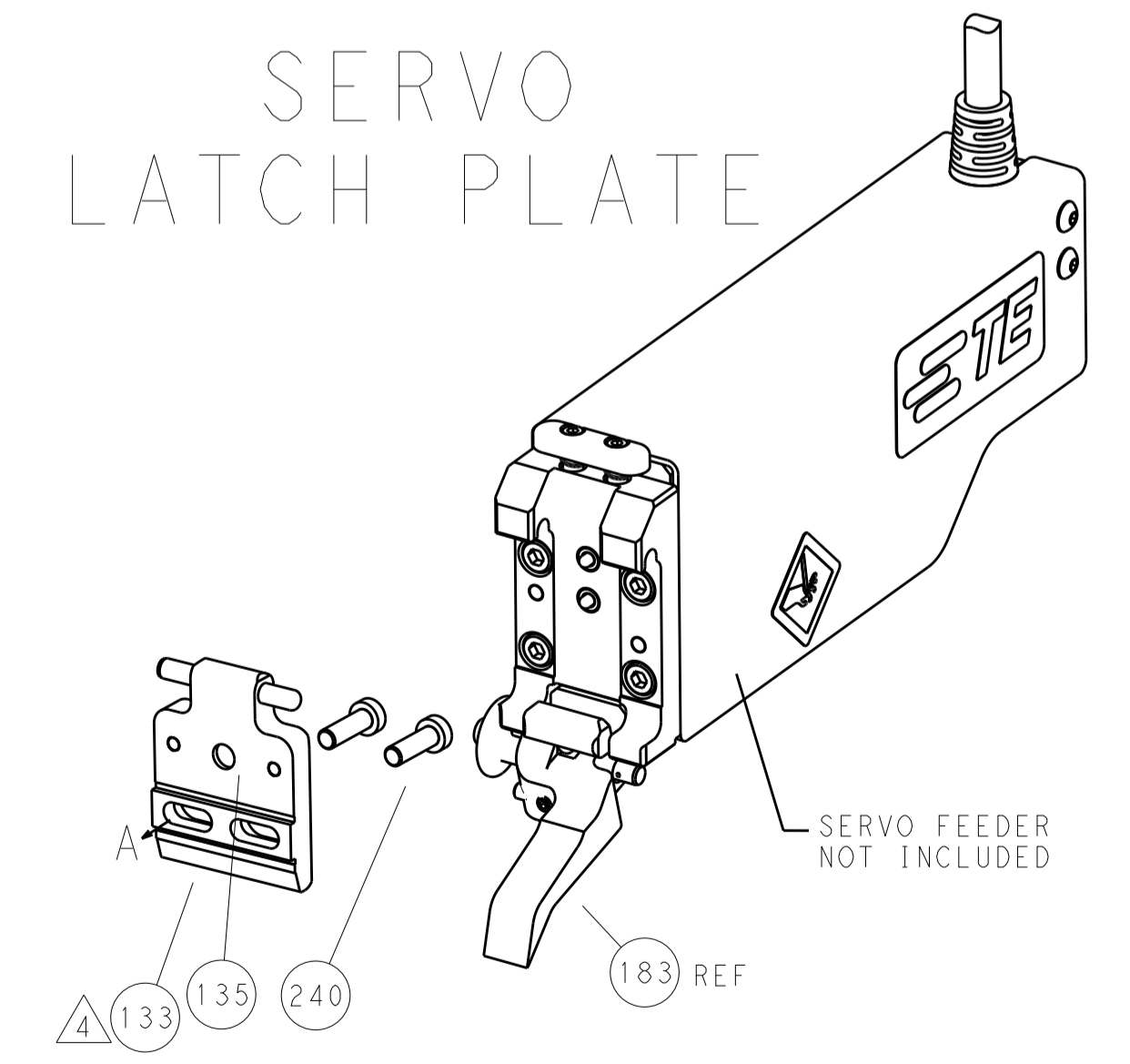
FEED TYPE
MECHANICAL



PNEUMATIC



SERVO
LATCH PLATE

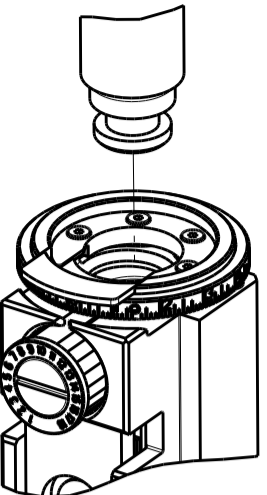


CAM POSITIONS




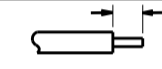

ATLANTIC VERSION
 Shown on sheets 1 of 4 & 2 of 4
 (Pacific version shown on sheets 3 of 4 & 4 of 4)

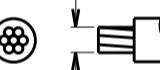

DIMENSIONS:		TOLERANCES UNLESS OTHERWISE SPECIFIED:		DWG: X_ZHAO 03JUN2012		TE Connectivity	
mm	0 PLC ±	1 PLC ±	2 PLC ±	3 PLC ±	4 PLC ±	5 PLC ±	Harrisburg, PA 17105-3608
MATERIAL:		FINISH:		NAME: Ocean End Feed Applicator		RESTRICTED TO:	
				SIZE: A1		CAGE CODE: 00779	
				DRAWING NO: 2150012		SCALE: 1:1	
				SHEET: 2 of 4		REV: A1	

PACIFIC VERSION TERMINATOR INTERFACE ADAPTER	PART NUMBER	REVISION	DESCRIPTION	FEED TYPE	APPLICATOR STYLE CONVERSION CHART						
					CONVERT TO	PART NUMBERS REQUIRED					
						PNEUMATIC FEED	2119950-1	2119792-4	-	2119641-2	-
	2-2150012-1	A	FINE CRIMP HEIGHT ADJUST	MECHANICAL	SERVO LATCH PLATE	2119951-1	1901697-1	8-2150012-5	-	-	2168400-7 (QUANTITY 2)
	2-2150012-2	A	FINE CRIMP HEIGHT ADJUST	PNEUMATIC	MECHANICAL FEED	2119949-1	2063961-4	5-18022-5	2119653-2	-	-
	2-2150012-5	A	FINE CRIMP HEIGHT ADJUST	SERVO LATCH PLATE ⁴	SERVO LATCH PLATE	2119951-1	1901697-1	8-2150012-5	-	-	2168400-7 (QUANTITY 2)
	2-2150012-7	A	FINE CRIMP HEIGHT ADJUST	NONE	SMART APPLICATOR	2161326-1	-	8-2150012-4	-	-	-
	7-2150012-7	A	CRIMP TOOLING KIT	-	MECHANICAL FEED	2119949-1	2063961-4	5-18022-5	2119653-2	-	-
					PNEUMATIC FEED	2119950-1	2119792-4	-	2119641-2	-	2063440-1

SET UP GAUGE	LOC	DIST	REVISIONS				
			P	LTN	DATE	DWN	APVD
2119599-2	A	66	-	-	-	-	-
			SEE SHEET 1	-	-	-	-

APPLICATOR DATA		
CRIMP	SIZE	TYPE
WIRE	2.79 mm [1.101]	F
INSUL	4.57 mm [1.180]	F
APPL INSTRUCTIONS 408-10390 		

TERMINAL DATA: TE TERMINAL		TE CRIMP SPECIFICATION	
TERMINAL NAME: SHUR PLUG			
WIRE STRIP LENGTH		INSULATION DIAMETER RANGE	
3.90-4.70 mm [1.154-.185 IN]		∅2.54-3.68 mm [1.100-.145 IN]	
TERMINAL APPLICATION SPECIFICATION	114-5208	-	-
TERMINALS APPLIED			
TE TERMINAL	TE TERMINAL	TE TERMINAL	TE TERMINAL
170002-3	170002-5	170002-8	170002-9
3-170002-1	3-170002-2	3-170002-3	3-170002-4

WIRE SIZE		CRIMP HEIGHT mm [INCH]		CRIMP HEIGHT REFERENCE SETTING ⁹
2.00mm2		1.88+/-0.05 [0.074+/-0.002]		3.9
1.25mm2		1.73+/-0.05 [0.068+/-0.002]		5.4
0.75mm2		1.63+/-0.05 [0.064+/-0.002]		6.6
0.50mm2		1.50+/-0.05 [0.059+/-0.002]		7.9

6	-	1	1	1	1	2119083-1	RETAINER, INSULATION DIAL	242
-	-	2	-	-	-	2168400-7	SHCS, LOW HEAD, RoHS, M5 X 10	240
-	-	-	1	-	-	2119580-1	MECHANICAL FEED ASSEMBLY	239
-	-	-	-	1	-	2063440-1	AIR FEED MODULE	238
-	-	1	-	-	-	2119740-2	TAG, IDENTIFICATION	213
-	4	4	4	4	2079383-9	SCR, BHSC, RoHS (M6 X 20)		186
-	-	REF	-	-	1901697-1	FEED FINGER ASSEMBLY, EF		183
6	-	1	1	1	1	1-1976055-5	STANDOFF, HOLD-DOWN	180
-	1	1	1	1	6-993111-6	PIN, SLOTTED SPRING 3.0 X 14.0		177
-	1	1	1	1	8-22280-7	SPRING, COMPRESSION		176
-	1	1	1	1	1752353-2	GUIDE PIN, HOLDDOWN		175
-	1	1	1	1	1901680-2	GUIDE PIN, HOLDDOWN		174
-	-	-	2	-	21045-3	RING, RETAIN, EXTERN, 3/16 CRESCENT		172
-	1	1	1	1	994969-1	MAGNET, RARE EARTH HIGH ENERGY		166
-	REF	REF	REF	REF	994970-2	COUNTER, MAGNETIC		164
-	-	-	1	-	240638-1	SPRING, FEED FINGER		163
-	1	1	1	1	8-21084-1	O-RING, .801 ID, .070 DIA. MAT.		153
-	-	-	1	-	2119641-2	FEED CAM, AIR FEED		152
-	1	1	1	1	2119798-2	DETENT PIN		145
-	1	1	1	1	2079383-8	SCR, BHSC, RoHS (M4 X 16)		144
-	-	-	-	1	2119653-2	FEED CAM, POST FEED		142
-	1	1	1	1	2119655-6	APPLICATOR BASIC ASSEMBLY, EF		141
-	1	1	1	1	2119651-1	RAM, ASIAN STYLE, END FEED		140
-	1	1	1	1	2119092-2	BOLT, ADJUSTMENT		139
-	-	-	1	-	3-23627-7	PIN, RETAIN, GRVD, 3/16 X .854		137
-	-	REF	-	-	-	SEE NOTE 4	MEMORY CHIP, PROGRAMMED	135
-	-	1	-	-	1633743-1	SERVO FEED LATCH ASM		133
-	1	1	1	1	455888-4	SPACER, CRIMPER		82
-	1	1	1	1	2119956-2	DOCUMENTATION PACKAGE		71
-	2	2	2	2	2-18032-2	SCR, SET, FLT POINT M3 X 10.0		70
-	1	-	1	1	2119740-1	TAG, IDENTIFICATION		67
-	2	2	2	2	2168078-1	SCREW, DRIVE, RH, RoHS, 2 X .188		66
-	1	1	1	1	1901681-5	HOLDDOWN, TERMINAL		65
-	2	2	2	2	2168400-8	SHCS, LOW HEAD, RoHS, M4 X 16		64
-	1	1	1	1	2119793-1	LIMITER, ADJUSTMENT BOLT		63
6	-	3	3	3	992763-5	SCR, SET, SOC, CONE POINT, M3 X 4.0		62
-	-	-	-	1	5-18022-5	SCR, HEX HD CAP, M4 X 6.0		59
2	-	-	-	1	2063961-4	FEED FINGER		58
-	3	3	3	3	2168400-4	SHCS, LOW HEAD, RoHS, M4 X 8		57
-	2	2	2	2	2168083-2	SCR, SKT HD CAP, RoHS, M4 X 8.0		56
-	2	2	2	2	5018030-2	NUT, HEX, REG, RoHS, M4		55
-	2	2	2	2	5018030-1	NUT, HEX, REG, RoHS, M3		54
-	2	2	2	2	986965-8	NUT, LOCK, HEX, TORQUE (M4)		53
2	-	1	1	1	1-5018030-0	NUT, HEX, REG, RoHS, M3.5		52
2	-	-	-	1	2119792-4	PAWL, EF, AIR		51
-	-	-	1	2	18023-9	SCR, SKT HD CAP M4 X 6.0		49
-	-	-	-	1	2119652-1	FEED CAM, PRE FEED		48
-	1	1	1	1	2079383-7	SCR, BHSC, RoHS (M8 X 25)		41
-	1	1	1	1	2119645-1	DISC, NUMBERED FA WIRE ADJUSTMENT		40
-	1	1	1	1	2119957-1	APPLICATOR SHIM PACK		39
-	1	1	1	1	1-2119644-2	RAM WASHER, PRECISION		38
-	7	7	7	7	1-18028-2	WASHER, FLAT, REG M4		33
-	2	2	2	2	2168083-9	SCR, SKT HD CAP, RoHS, M4 X 20		31
-	2	2	2	2	1-2168083-0	SCR, SKT HD CAP, RoHS, M4 X 10		29
-	1	1	1	1	240639-1	STRIPPER (MACHINING)		27
-	2	2	2	2	1320906-1	STUD, THREADED		25
-	1	1	1	1	1752371-5	PLATE, STRIP GUIDE		24
-	1	1	1	1	240825-8	PLATE, STRIP HOLD DOWN		23
-	2	2	2	2	2-22281-3	SPRING, COMPRESSION		22
-	1	1	1	1	1752373-4	DRAG		20
-	2	2	2	2	1901259-4	GUIDE, LOWER STRIP		18
-	1	1	1	1	240641-2	SPACER		16
-	1	1	1	1	1752360-1	SPACER, HOLD-DOWN		13
-	1	1	1	1	240644-1	PLATE, REAR SHEAR		11
-	-	-	-	-	-	-	-	10
1	-	1	1	1	690496-4	PLATE, FRONT SHEAR		9
1	1	1	1	1	1803001-4	ANVIL, COMBINATION, END FEED		8
1	-	1	1	1	2-690474-8	BLADE, SLUG		7
1	-	1	1	1	4-240641-0	SPACER		5
1	-	1	1	1	238009-1	BLOCK, FL CRIMPER SPACER		4
1	1	1	1	1	2119582-3	CRIMPER, INSULATION F PREMIUM		3
1	-	1	1	1	1-455888-3	SPACER, CRIMPER		2
1	1	1	1	1	456408-2	CRIMPER, WIRE PREMIUM		1

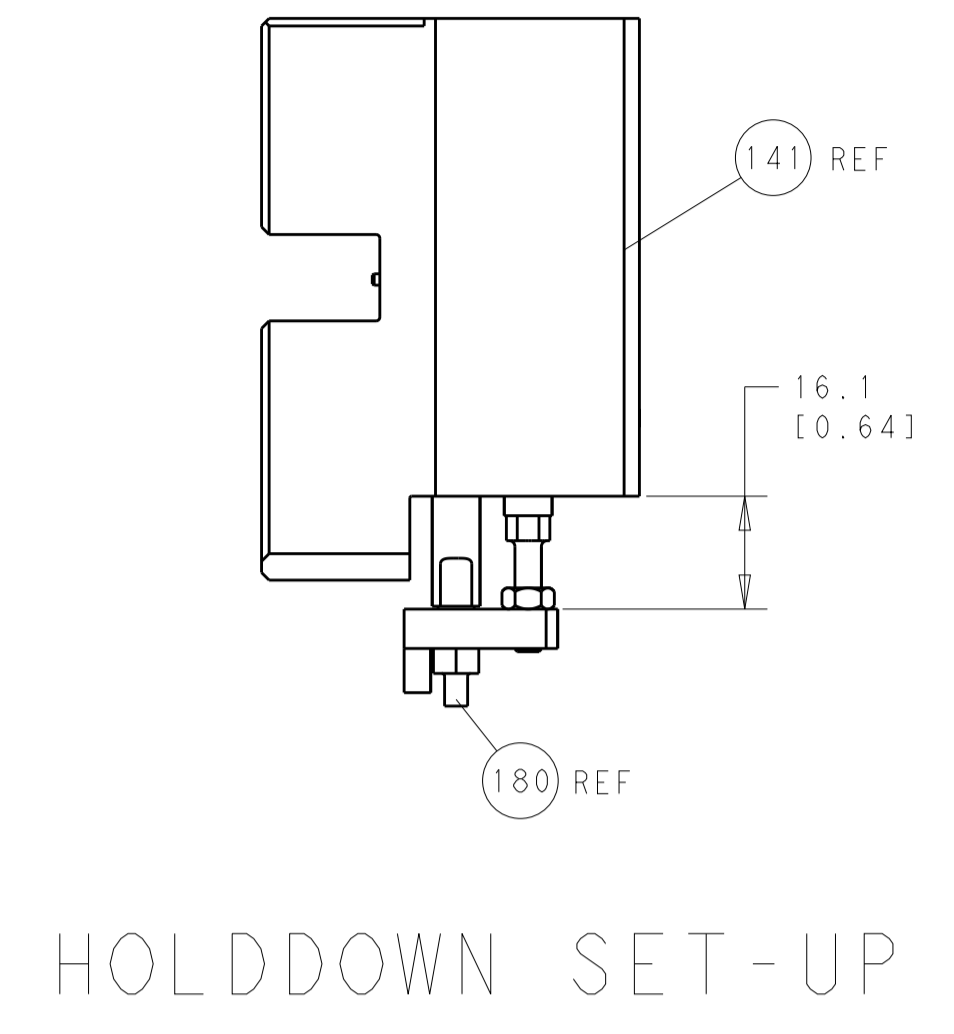
***WARNING**
ON INSTALLATION, SET WIRE DISC, ITEM 40 TO LARGEST WIRE SIZE SETTING. USE OF SETTINGS BELOW MINIMUM REQUIRED CRIMP HEIGHT SETTING WILL CAUSE DAMAGE TO CRIMP TOOLING.

-	1	1	1	1	2119782-1	FINE ADJUST HEAD ASM, PACIFIC STYLE	251
-	-	-	1	-	2119640-1	PUSH ROD, AIR FEED	250
-	-	-	1	-	2079988-1	BUSHING, LCH5-12, MISUMI	249
-	1	1	1	1	1-22279-3	SPRING, COMPRESSION	246
-	1	1	1	1	2119082-3	CAM, SNAIL, INSULATION ADJUSTMENT	244
-	1	1	1	1	2079764-1	WASHER, WAVE SPRING, CREST-TO-CREST	243
-77	-27	-25	-22	-21	PART NO	DESCRIPTION	ITEM NO

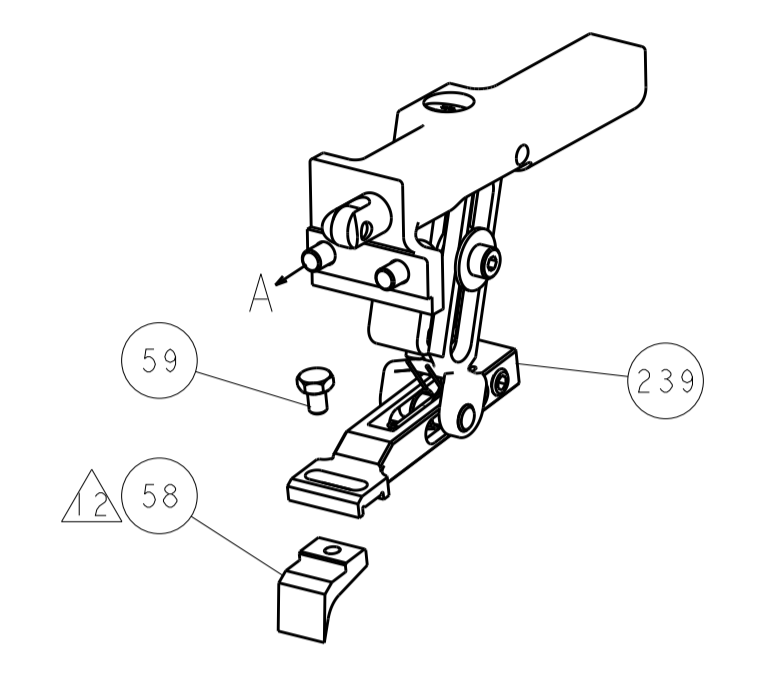
PACIFIC VERSION
Shown on sheets 3 of 4 & 4 of 4
(Atlantic version shown on sheets 1 of 4 & 2 of 4)

<small>THIS DRAWING IS UNPUBLISHED. IT IS THE PROPERTY OF STC CONNECTIVITY. IT IS TO BE USED FOR THE MANUFACTURE OF THE PRODUCT SPECIFIED. IT IS TO BE KEPT IN CONFIDENTIALITY AND NOT TO BE REPRODUCED OR DISTRIBUTED WITHOUT THE WRITTEN PERMISSION OF STC CONNECTIVITY.</small>	DWN X.ZHAO 03JUN2012 CHK T.ELBIN 03JUN2012 APVD S.XI 03JUN2012	 TE Connectivity Harrisburg, PA 17105-3608
DIMENSIONS: mm TOLERANCES UNLESS OTHERWISE SPECIFIED: 0 PLC ± 1 PLC ± 2 PLC ± 3 PLC ± 4 PLC ± ANGLES ± FINISH	PRODUCT SPEC APPLICATION SPEC WEIGHT SCALE	NAME Ocean End Feed Applicator SIZE A1 CASE CODE 00779 DRAWING NO C=2150012 SHEET 3 OF 4 REV A1

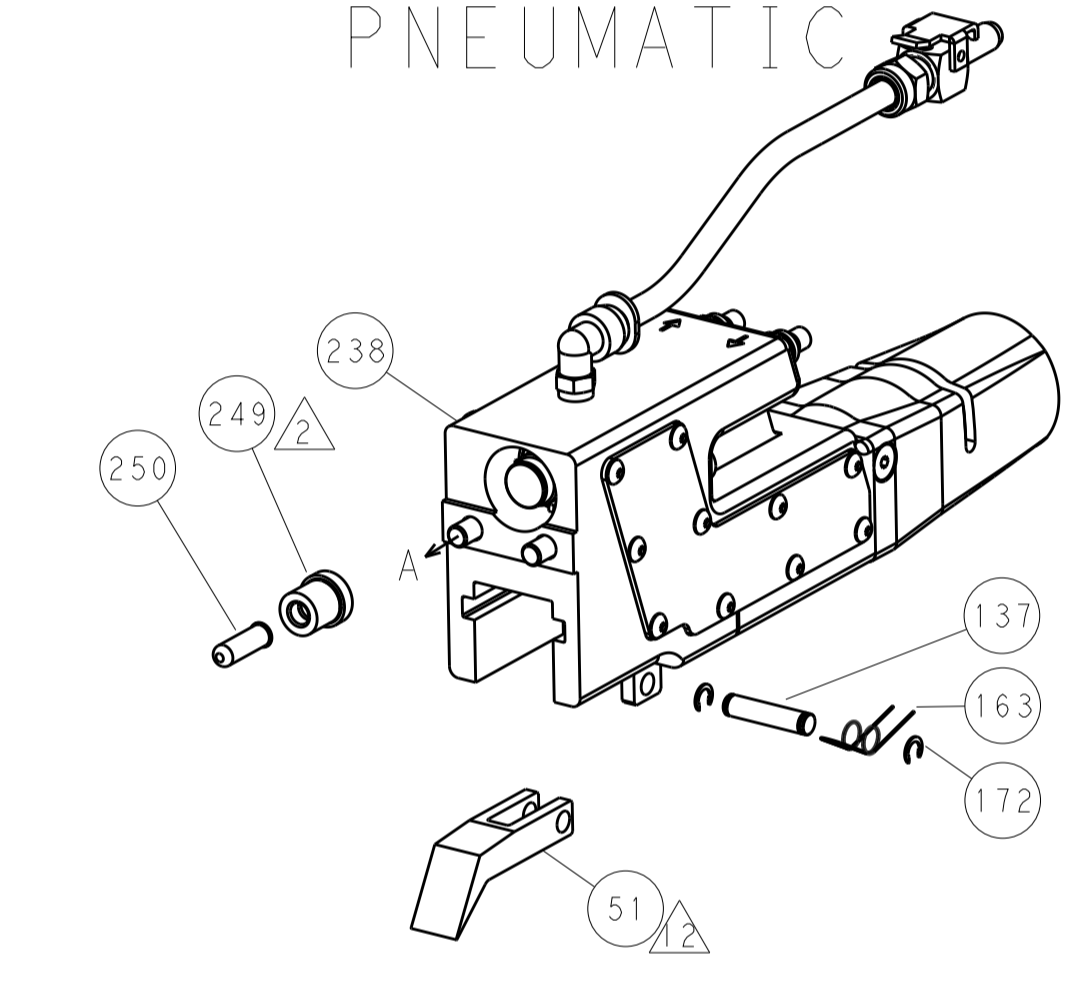
LOC		DIST		REVISIONS			
A	66	P	LTN	DESCRIPTION	DATE	DWN	APVD
		-		SEE SHEET 1			



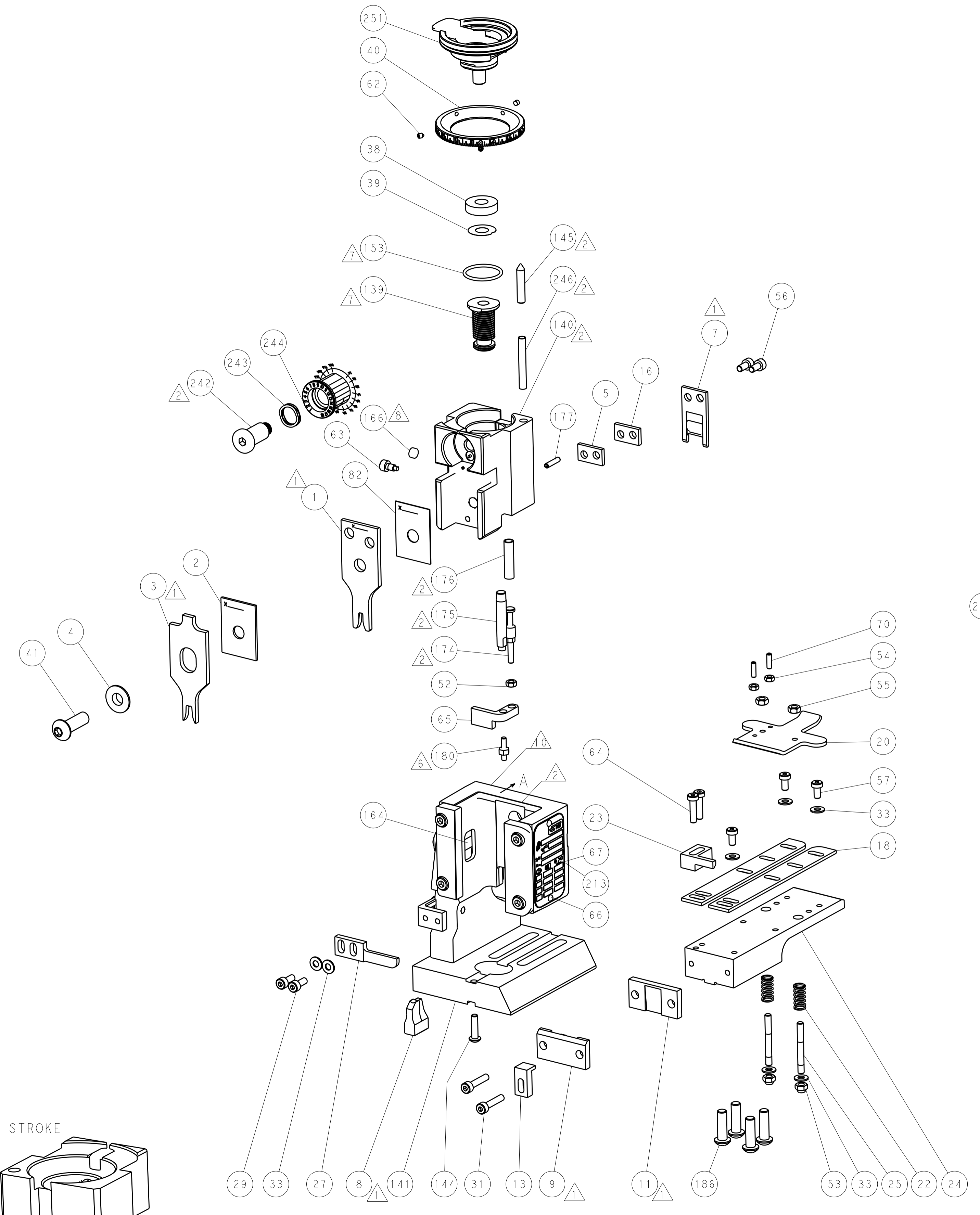
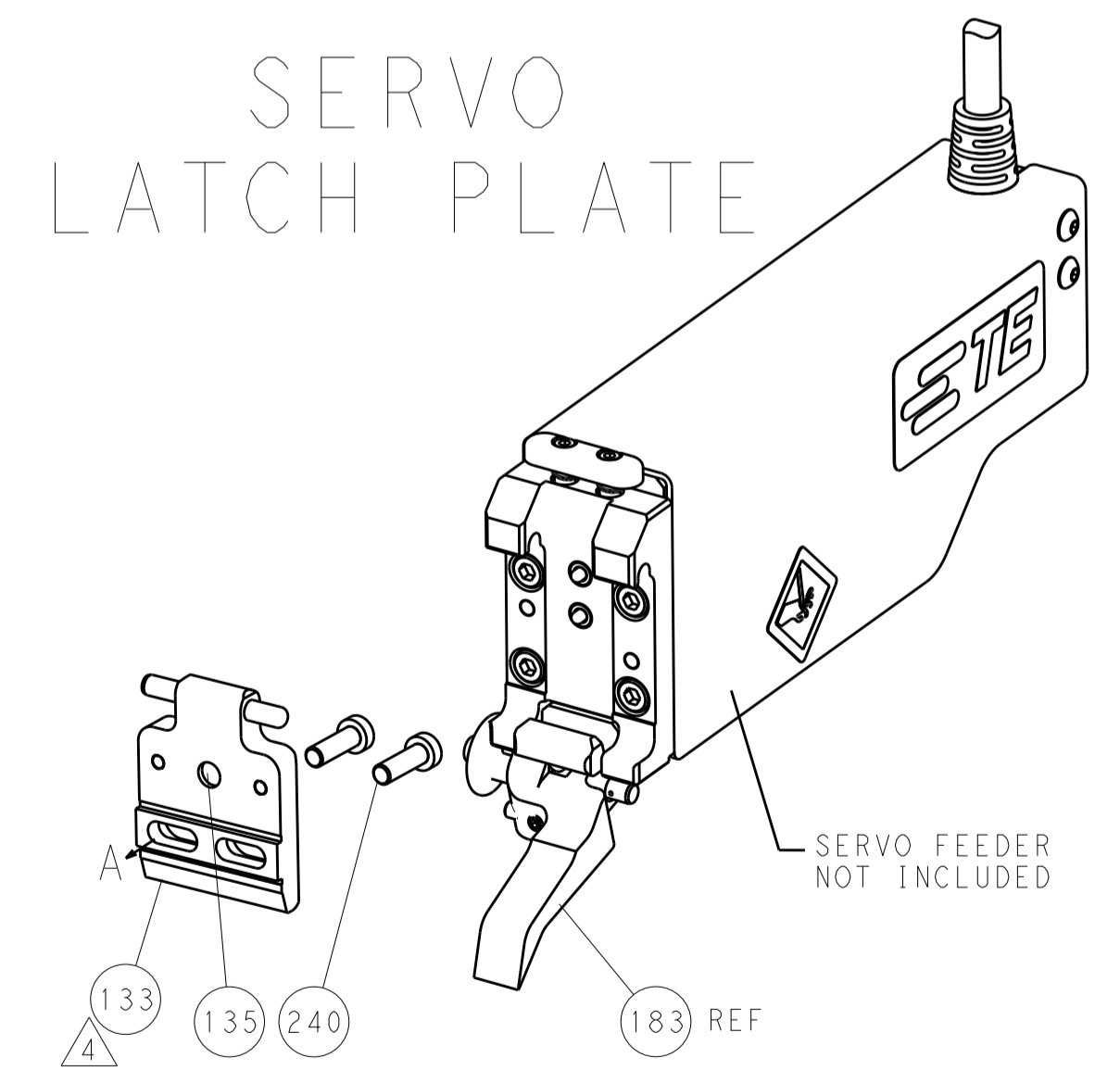
FEED TYPE
MECHANICAL



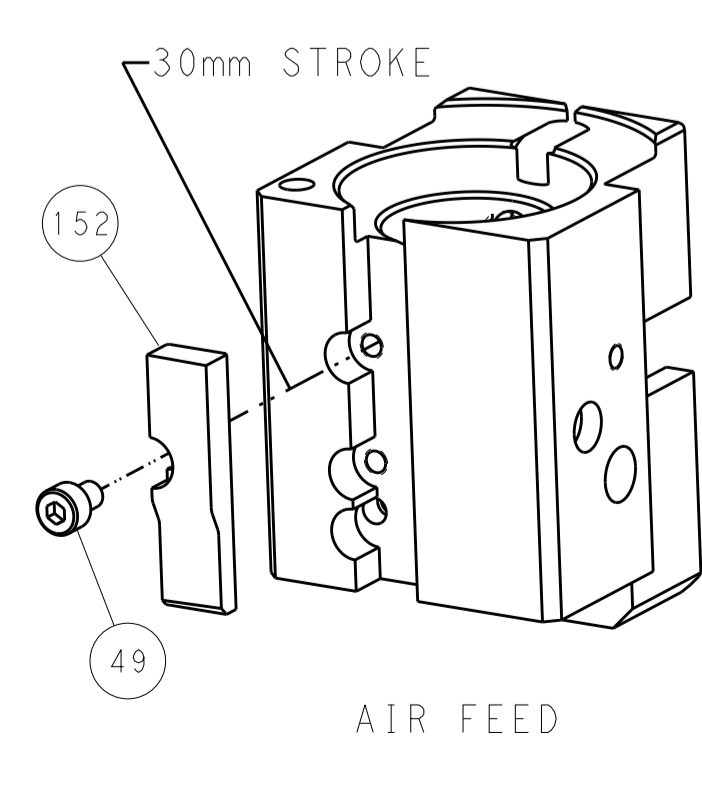
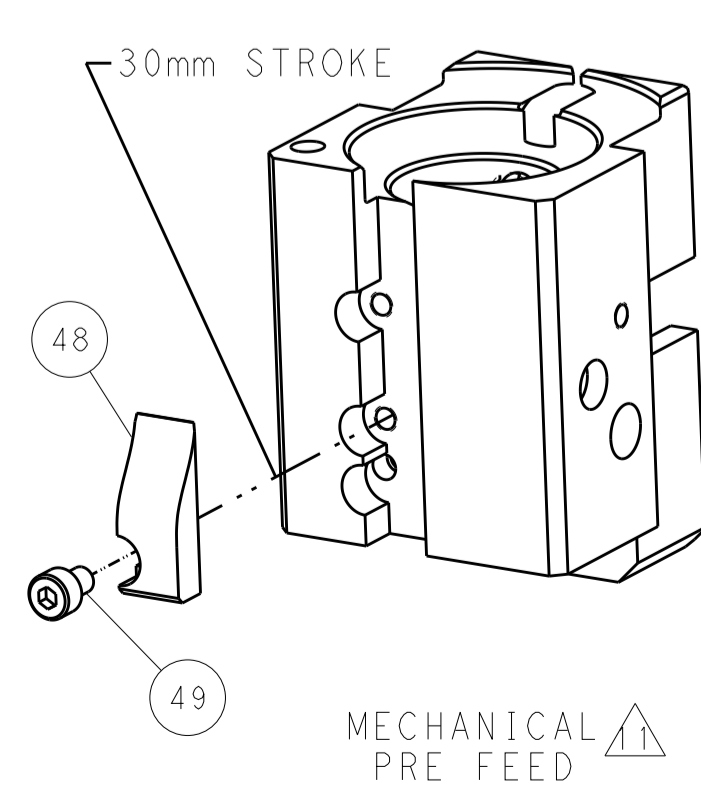
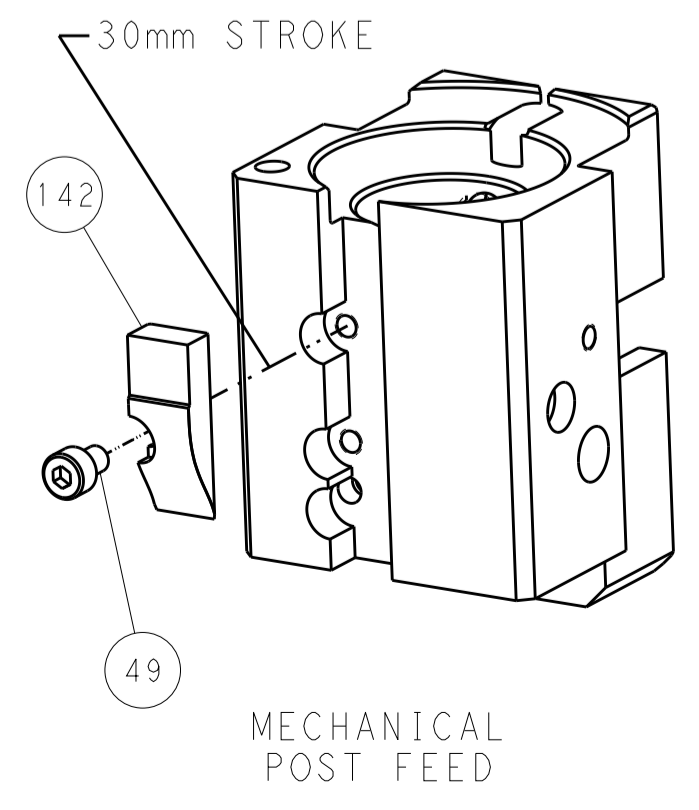
PNEUMATIC



SERVO
LATCH PLATE



CAM POSITIONS



PACIFIC VERSION
Shown on sheets 3 of 4 & 4 of 4
(Atlantic version shown on sheets 1 of 4 & 2 of 4)

DIMENSIONS:		TOLERANCES UNLESS OTHERWISE SPECIFIED:		DWN X_ZHAO 03JUN2012		TE Connectivity Harrisburg, PA 17105-3608	
mm	0 PLC ±	1 PLC ±	2 PLC ±	3 PLC ±	4 PLC ±	5 PLC ±	6 PLC ±
	ANGLES	FINISH		APVD S_XI 03JUN2012	NAME	SIZE	CAGE CODE
MATERIAL				PRODUCT SPEC	Ocean End Feed	APVD	DRAWING NO
				APPLICATION SPEC	Applicator	SCALE	SHEET
				WEIGHT	A1 00779	SCALE	OF
				Customer Accessible Production Drawing	SCALE	1:1	4
					REV	A1	