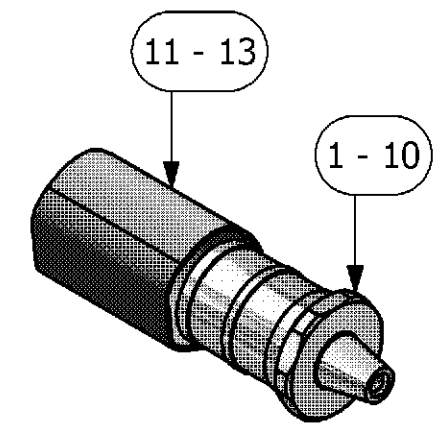


NOTES

- 1 SUITABLE CONTACTS: SERIES HF06
CUSTOMER DRAWING: 11100948, 1110949
- 2 SUITABLE CONTACTS: SERIES HF08
CUSTOMER DRAWING: 1103037, 1103038
- 3 SUITABLE CRIMPING TOOL: HYDR. TOOL 30kN
CUSTOMER DRAWING: 1105653
- 4 SUITABLE CRIMPING TOOL: HYDR. TOOLS 60kN
CUSTOMER DRAWING: 1110956
- 5 DIE SIZE "INDEX" ACC. TO DIN 48083, SEE
CUSTOMER DRAWINGS OF CRIMPING TOOLS
- 6 SHRINK. TUBE ACC. TO MIL I-23053 B/5, RATE 3:1
- 7 STANDARDS:
DIN EN 61984; DIN EN 60664-1
- 8 PACKAGING:
10 SETS IN A CARTON

INDEX	QTY	DESCRIPTION	INDEX ACC.	A	B	C	MATERIAL	SURFACE	WEIGHT [kg]	NOTE	ITEM
-	1	SHRINK. TUBE	-	-	-	-	PO	BLACK	0,004	18 / 45	14
1	1	SHRINK. TUBE	-	-	-	-	PO	BLACK	0,003	18 / 25	13
-	-	SHRINK. TUBE	-	-	-	-	PO	BLACK	0,002	12 / 25	12
1	-	CRIMP BARREL	14	11,5	14,0	19	COPPER	SILVER PLATED	0,018	WIRE SIZE 50 MM ³	11
-	1	CRIMP BARREL	16	11,8	16,5	19	COPPER	SILVER PLATED	0,027	WIRE SIZE 70 MM ³	10
-	-	CRIMP BARREL	14	10,0	14,5	19	COPPER	SILVER PLATED	0,024	WIRE SIZE 50 MM ³	9
-	-	CRIMP BARREL	14	9,8	14,5	19	COPPER	SILVER PLATED	0,025	WIRE SIZE 48 MM ³	8
-	-	CRIMP BARREL	12	8,2	12,5	19	COPPER	SILVER PLATED	0,021	WIRE SIZE 35 MM ³	7
-	-	CRIMP BARREL	12	8,5	12,5	19	COPPER	SILVER PLATED	0,020	WIRE SIZE 30 MM ³	6
-	-	CRIMP BARREL	10	7,0	10,0	19	COPPER	SILVER PLATED	0,016	WIRE SIZE 25 MM ³	5
-	-	CRIMP BARREL	8	5,9	8,5	19	COPPER	SILVER PLATED	0,014	WIRE SIZE 18 MM ³	4
-	-	CRIMP BARREL	8	5,5	8,5	19	COPPER	SILVER PLATED	0,015	WIRE SIZE 16 MM ³	3
-	-	CRIMP BARREL	6	4,5	6,0	19	COPPER	SILVER PLATED	0,011	WIRE SIZE 10 MM ³	2
-	-	CRIMP BARREL	5	3,8	5,5	19	COPPER	SILVER PLATED	0,010	WIRE SIZE 06 MM ³	1

1-1	1-0	0-9	0-8	0-7	0-6	0-5	0-4	0-3	0-2	0-1	DESCRIPTION	INDEX ACC.	A	B	C	MATERIAL	SURFACE	WEIGHT	NOTE	ITEM	
											ORDERING TEXT: CH.6 MM ² -6MM WIRE: H07V-K 1x6MM ²										
											ORDERING TEXT: CH.10.MM ² -6MM WIRE: H07V-K 1x10MM ²										
											ORDERING TEXT: CH.16 MM ² -6MM WIRE: H07V-K 1x16MM ²										
											ORDERING TEXT: CH.18.MM ² -6MM WIRE: RADOX 155, ZYRAD 555, BETATHERM 155 3x6MM ²										
											ORDERING TEXT: CH.25 MM ² -6MM WIRE: H07V-K 1x25MM ²										
											ORDERING TEXT: CH.30.MM ² -6MM WIRE: RADOX 155, ZYRAD 555, BETATHERM 155 3x10MM ²										
											ORDERING TEXT: CH.35 MM ² -6MM WIRE: LAPP H07V-K, H07V-K UL STYLE 1015, CSA, TEW 1x35MM ²										
											ORDERING TEXT: CH.48.MM ² -6MM WIRE: RADOX 155, ZYRAD 555, BETATHERM 155 3x16MM ²										
											ORDERING TEXT: CH.50 MM ² -6MM WIRE: LAPP H07V-K, H07V-K UL STYLE 1015, CSA, TEW 1x50MM ²										
											ORDERING TEXT: CH.70.MM ² -6MM WIRE: LAPP H07V-K, H07V-K UL STYLE 1015, CSA, TEW 1x70MM ² , 2x35MM ²										
											ORDERING TEXT: CH.50H.MM ² -6MM WIRE: HIGH FLEX. WIRE ACC. TO DIN 46438										



M 1:1

THIS DRAWING IS A CONTROLLED DOCUMENT FOR AMP INCORPORATED. IT IS SUBJECT TO CHANGE AND THE CONTROLLING ENGINEERING ORGANIZATION SHOULD BE CONTACTED FOR THE LATEST REVISION. DIESSES ZEICHNUNGSDOKUMENT WIRD DURCH AMP INCORPORATED KONTROLLIERT. ÄNDERUNGEN, DIE DEM TECHNISCHEN FORTSCHRITT DIENEN, SIND VORBEHALTEN. DEN JEWEILS LETZTGÜLTIGEN ÄNDERUNGSSTAND ERFAHREN SIE AUF ANFRAGE.

DIMENSIONS: DIMENSIONEN: mm

TOLERANCES UNLESS OTHERWISE SPECIFIED: ALLGEMEINTOLERANZEN

n. ISO 8015 - #
n. ISO 2768 - mH-E #
n. DIN 16901- 140 #

0 PLC #
1 PLC #
2 PLC #
3 PLC #
ANGLES / WINKEL #

MATERIAL FINISH / OBERFLÄCHE / FARBE

DWN H.BRAUN 25.10.2005

CHK

APVD T.SCHNURPFEIL 25.10.2005

PRODUCT SPEC. PRODUKTSPEZ. 108-74024

APPLICATION SPEC. VERARBEITUNGSSPEZ. 114-74031

WEIGHT GEWICHT SEE TABLE

CUSTOMER DRAWING / KUNDENZEICHNUNG

tyco
Electronics

Tyco / Electronics AMP GmbH
D - 53819 Neunkirchen

NAME
**CRIMP BARREL
SERIES HF06, HF08**

SIZE A3 CAGE CODE 00779 DRAWING NO ZEICHNUNGS-NR. **1110952** RESTRICTED TO NUR FUER

SCALE MASSSTAB 2:1 SHEET BLATT 1 OF VON 1 REV. B3