

10091777- X 0 E - X X X L F

8-COLUMN DIFFERENTIAL SIGNAL

LEAD-FREE DESIGNATION ONLY WITH APPLICABLE PLATING CODES

LETTER	PERFORMANCE-BASED PLATING (SEE NOTE 2)	
	TARGET APPLICATION	LEAD-FREE (LF)
B	TELCORDIA CO	NO
C	TELCORDIA UE	NO
D	TELCORDIA CO	YES
E	TELCORDIA UE	YES

NUMBER	PIN STYLE, HEIGHT
0	STANDARD GUIDE PIN MACHINED, 31.6mm
4	STANDARD GUIDE PIN MACHINED, 25.7mm

MODULE DESCRIPTION	LETTER DESIGNATION REPRESENTED IN DASH NUMBER										BASE MODULE
	J	A	B	C	D	E	F	G	H		
LEFT POLARIZING GUIDANCE MODULE (SEE SHEET 3)											
RIGHT POLARIZING GUIDANCE MODULE (SEE SHEET 4)											
OPEN MODULE (TWO WALL) (SEE SHEET 2)	0 (ZERO)										
LEFT WALL MODULE (SEE SHEET 5)	L										
RIGHT WALL MODULE (SEE SHEET 6)	M										
FOUR WALL MODULE (SEE SHEET 7)	1										

NUMBER	CONTACT MATING WIPE LENGTH		COMPLIANT PIN DRILL SIZE
	SIGNAL	WIDE GROUND	
1	2	4	Ø0.55 [0.0217"]
2	3	4	Ø0.55 [0.0217"]
3	2	4	Ø0.45 [0.0177"]
4	3	4	Ø0.45 [0.0177"]
5	2	3	Ø0.55 [0.0217"]
6	3	3	Ø0.55 [0.0217"]
7	2	3	Ø0.45 [0.0177"]
8	3	3	Ø0.45 [0.0177"]

	GROUNDED	UNGROUNDED
FINISHED	Ø2.35-2.55	Ø2.35-2.55
PAD	Ø5.50	N/A
PLATED	YES	NO
DRILL (mm/in)	2.58 / .1015	2.44 / .096

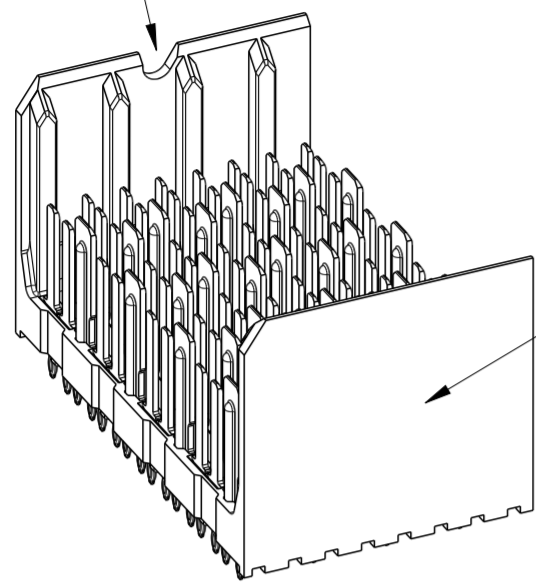
SCREW P/N	DESCRIPTION	BOARD THICKNESS
10091790-002LF	#2-56 X .375" PHILLIPS PANHEAD W/SQ CONICAL WASHER	1.60 - 5.00
10091790-003LF	#2-56 X .500" PHILLIPS PANHEAD W/SQ CONICAL WASHER	5.00 - 10.00

spec ref	SEE NOTES	dr	Jim Swain	2009/07/07	projection	MM	size	A2	scale	4:1
tolerance std	TOLERANCES UNLESS OTHERWISE SPECIFIED	eng	Roger Ng	2011/10/07	chr		ecn no	ELX-S-006600-1		
ASME Y14.5		appr	Chen-Hong Tan	2011/10/07	product family	XCede	rel level	Released		
surface	linear	0.X	±0.2				sig no	10091777		rev
		0.XX	±0.10							D
		0.XXX	±0.050							
ASME Y14.5	angular	0°	±°		www.fci.com	cat. no.	SEE P/N TREE	Product - Customer Drw	sheet 1 of 8	

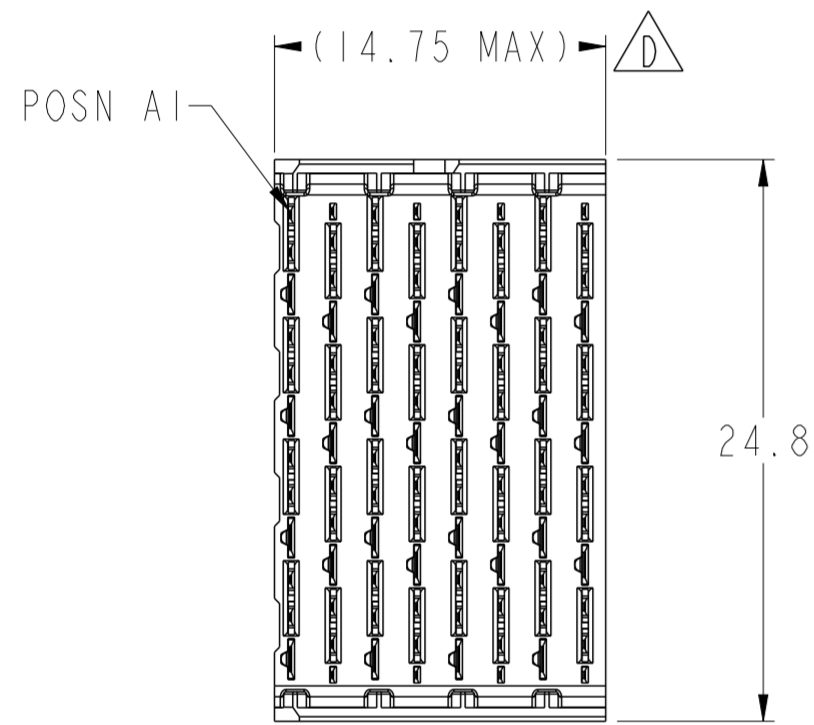
Copyright FCI. FCI

OPEN (2-WALL) MODULE

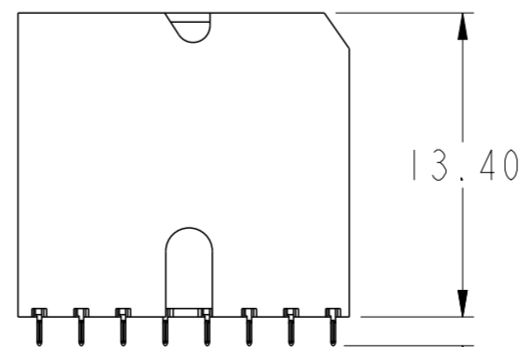
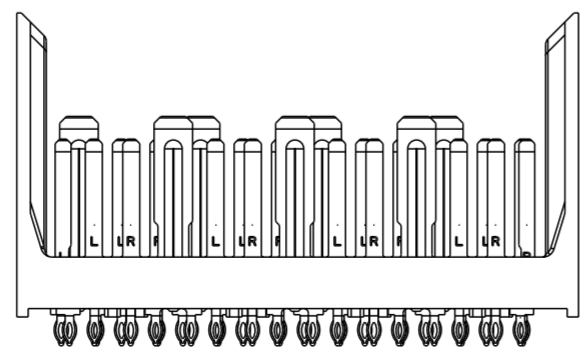
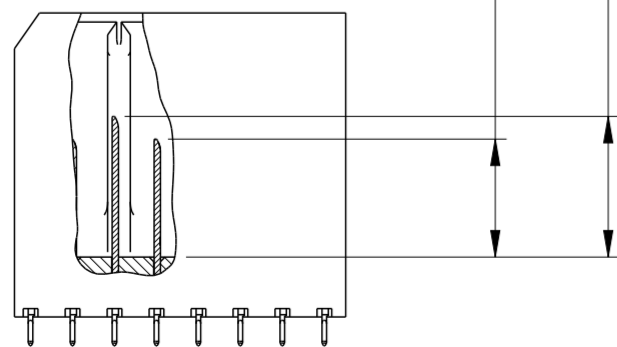
SEE NOTE 8



SEE NOTE 5



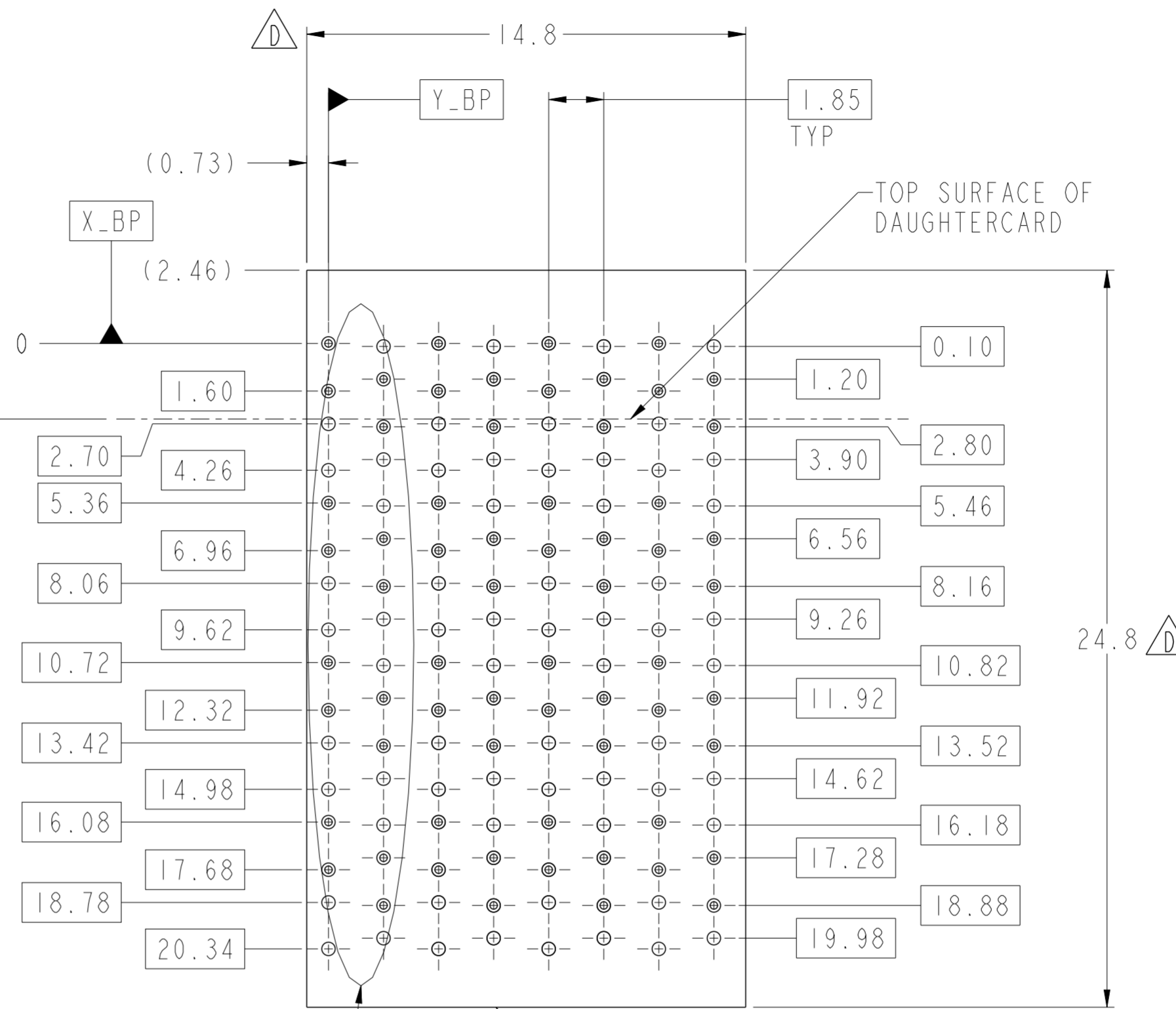
- 6.2 (4MM WIPE WIDE GROUNDS)
 - 5.2 (3MM WIPE WIDE GROUNDS)
 - 5.2 (3MM SMALL END GROUNDS)
 - 5.2 (3MM WIPE SIGNALS)
 - 4.2 (2MM WIPE SIGNALS)
- SEE P/N TREE



SEE DETAIL A (SHEET 8)

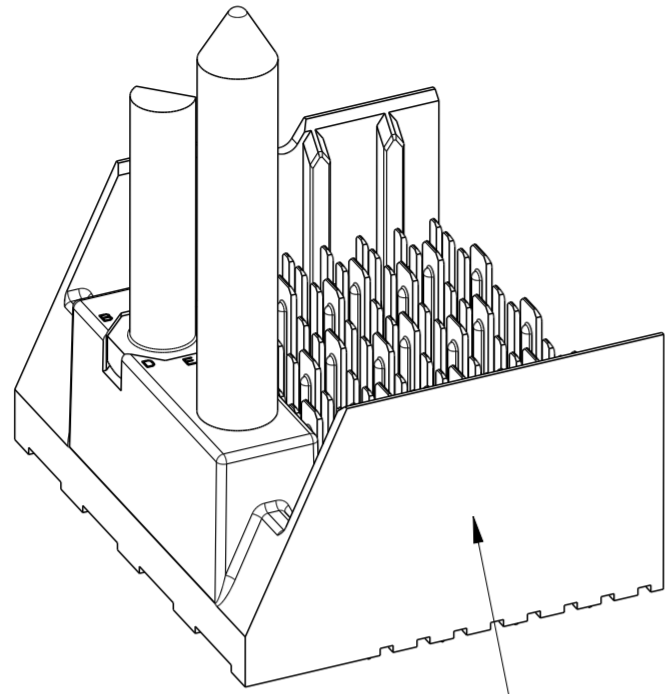
PCB HOLE PATTERN
COMPONENT SIDE
SCALE 6:1

2.54
TO TOP SURFACE
OF DAUGHTERCARD

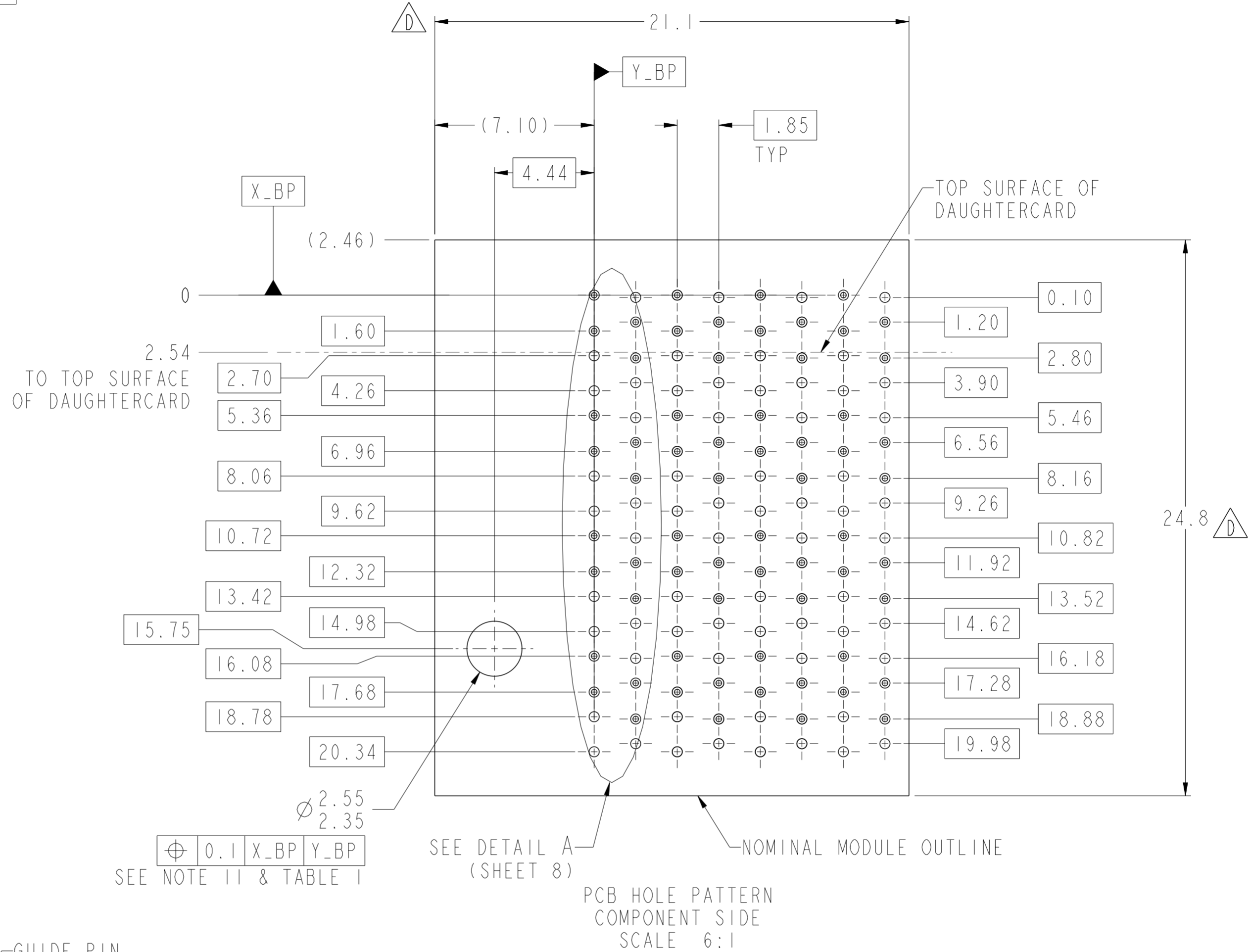
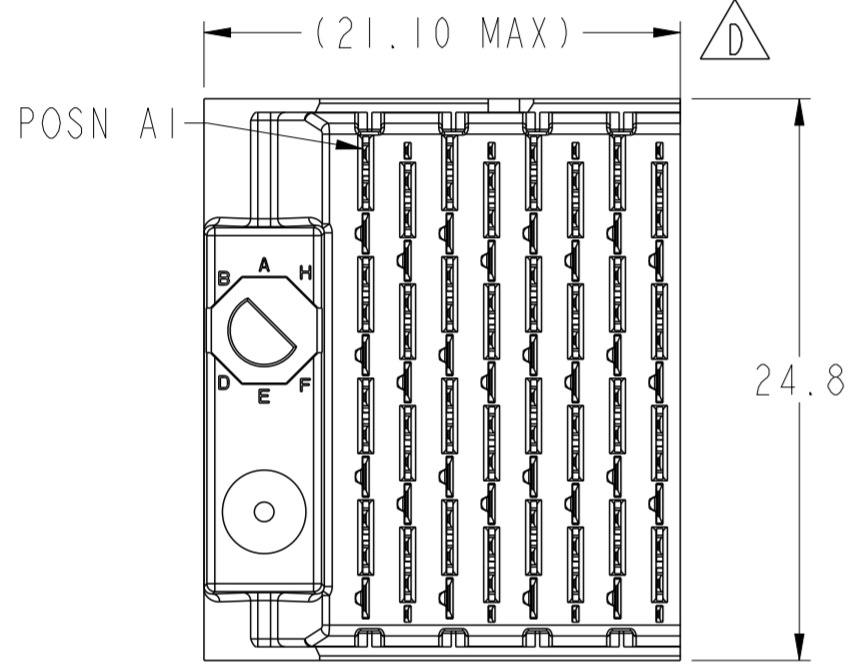


spec ref	SEE NOTES	dr	Jim Swain	2009/07/07	projection	MM	size	A2	scale	4:1
tolerance std	TOLERANCES UNLESS OTHERWISE SPECIFIED	eng	Roger Ng	2011/10/07	chr	-	ecn no	ELX-S-006600-1	rel level	Released
ASME Y14.5		appr	Chen-Hong Tan	2011/10/07	product family	XCede	rel level	Released		
surface	linear	0.X	±0.2		MODULE ASSEMBLY VERTICAL HEADER, 8-COLUMN, 4-PAIR		dwg no	10091777	rev	D
		0.XX	±0.10		www.fci.com	cat. no.	SEE P/N TREE	Product - Customer Drw	sheet 2 of 8	
ASME Y14.5	angular	0°	±°							

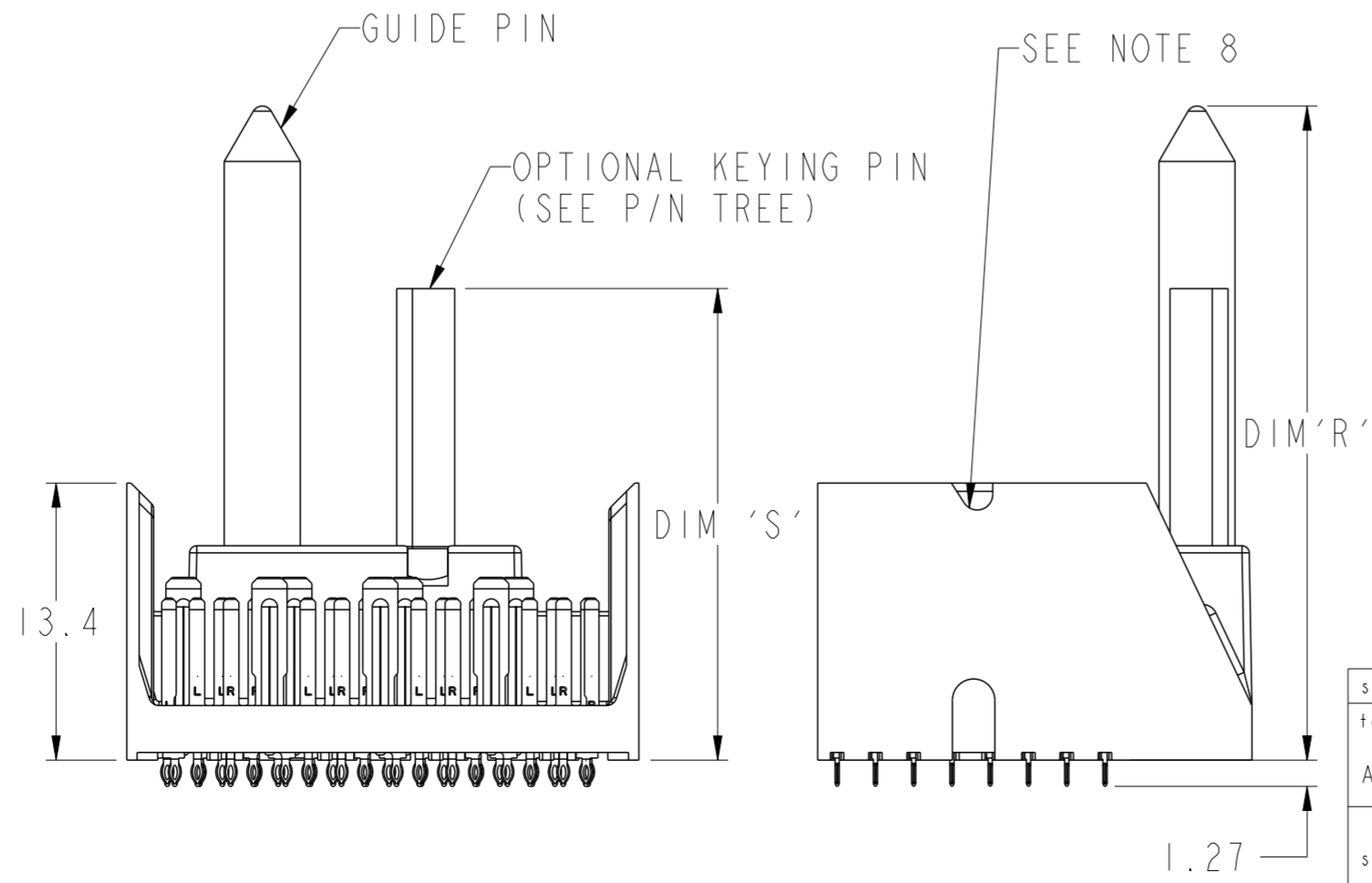
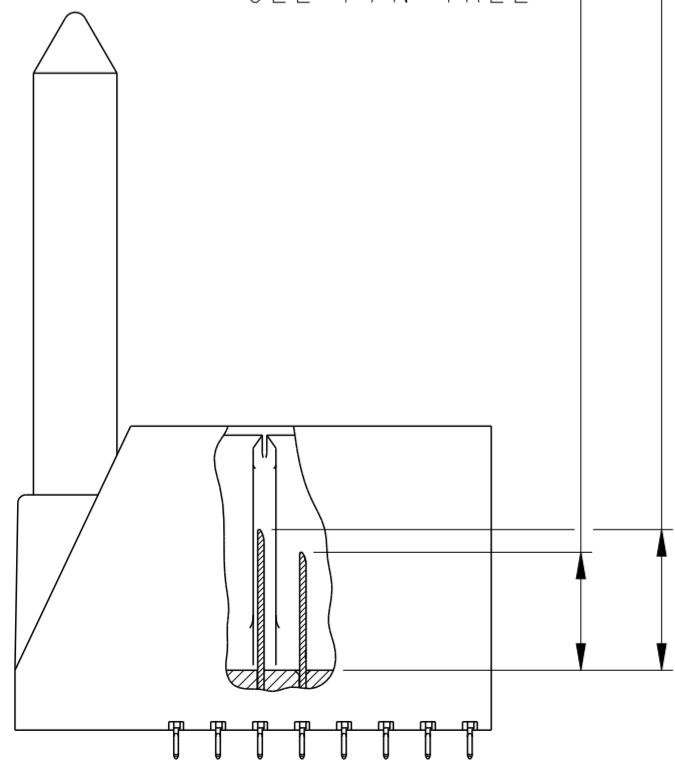
LEFT POLARIZING/GUIDE MODULE



SEE NOTE 5



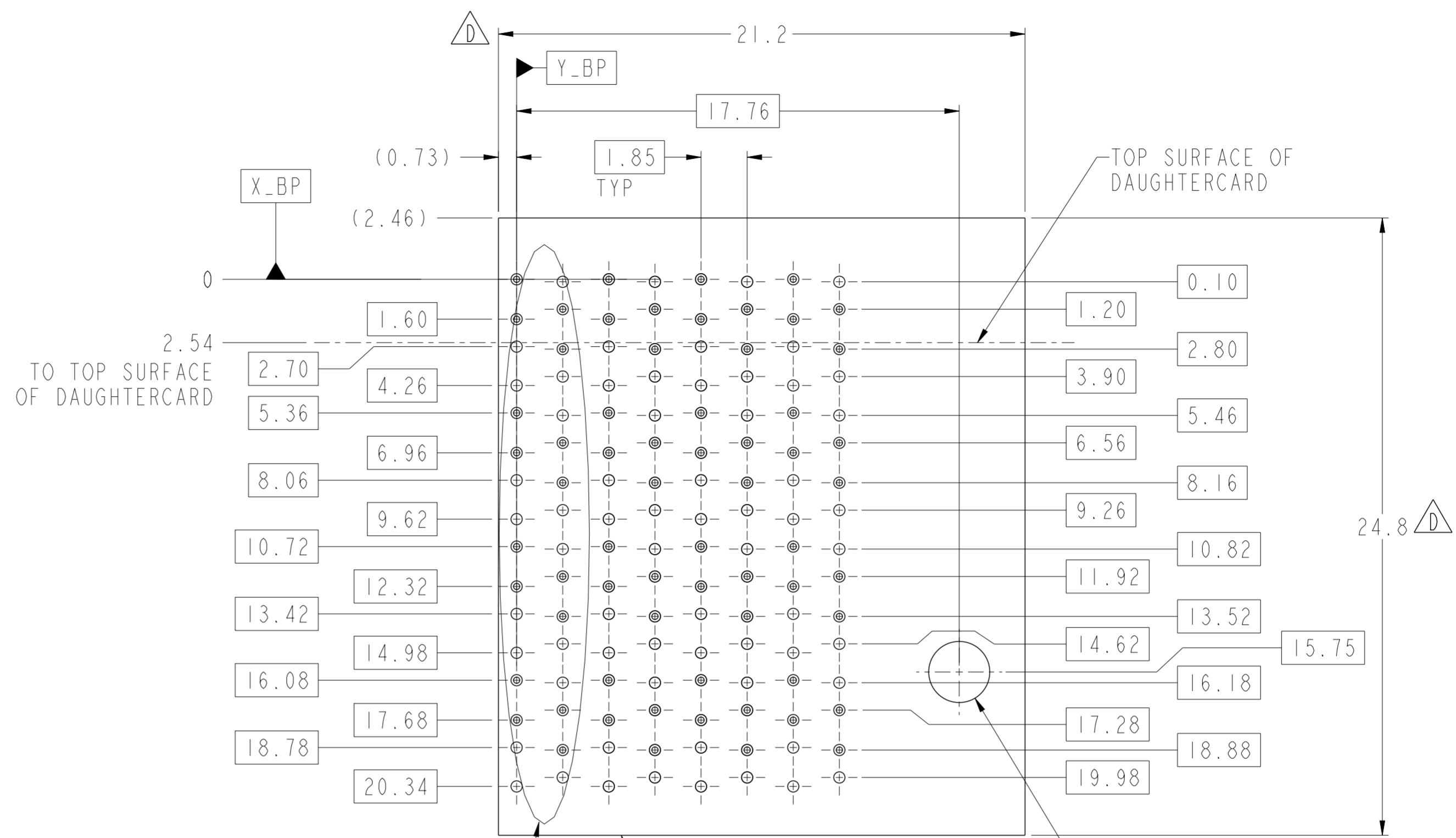
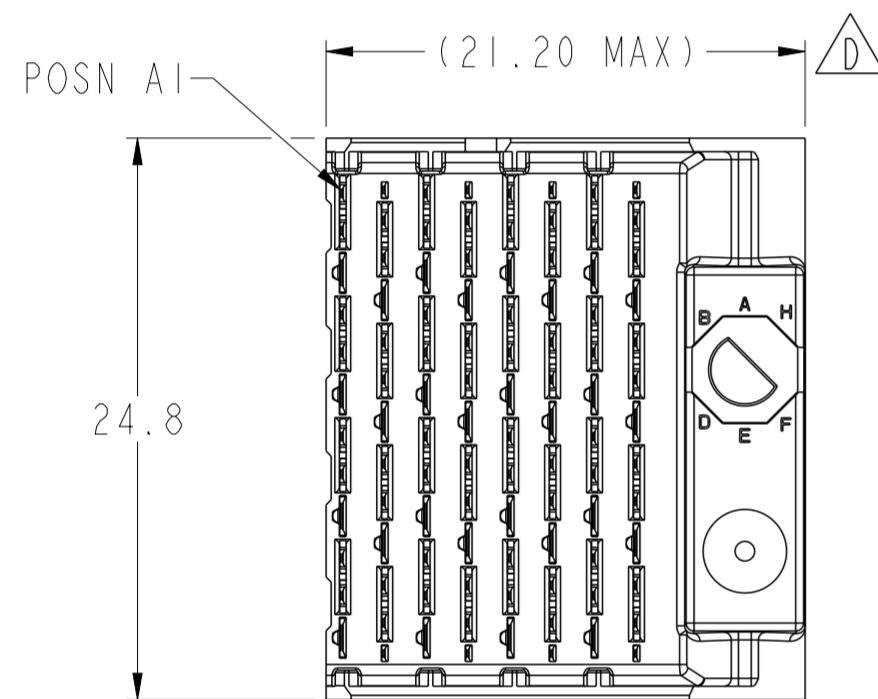
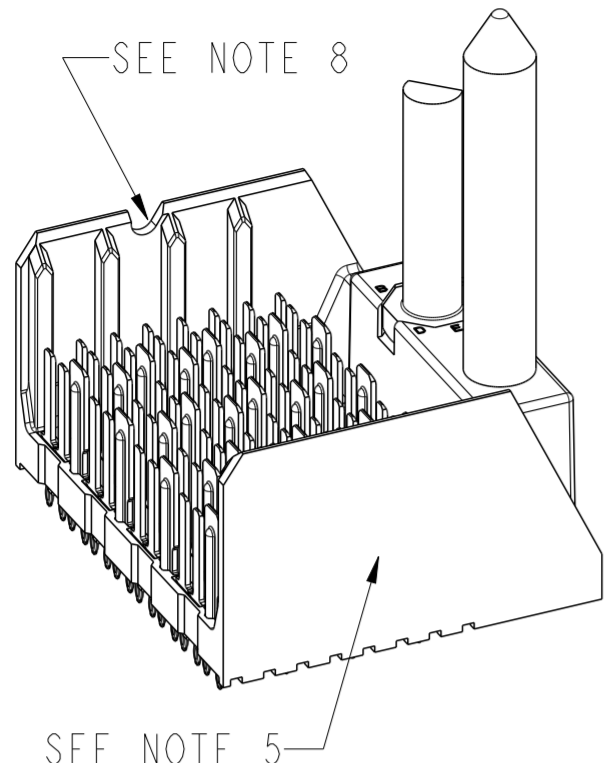
- 6.2 (4MM WIPE WIDE GROUNDS)
 - 5.2 (3MM WIPE WIDE GROUNDS)
 - 5.2 (3MM SMALL END GROUNDS)
 - 5.2 (3MM WIPE SIGNALS)
 - 4.2 (2MM WIPE SIGNALS)
- SEE P/N TREE



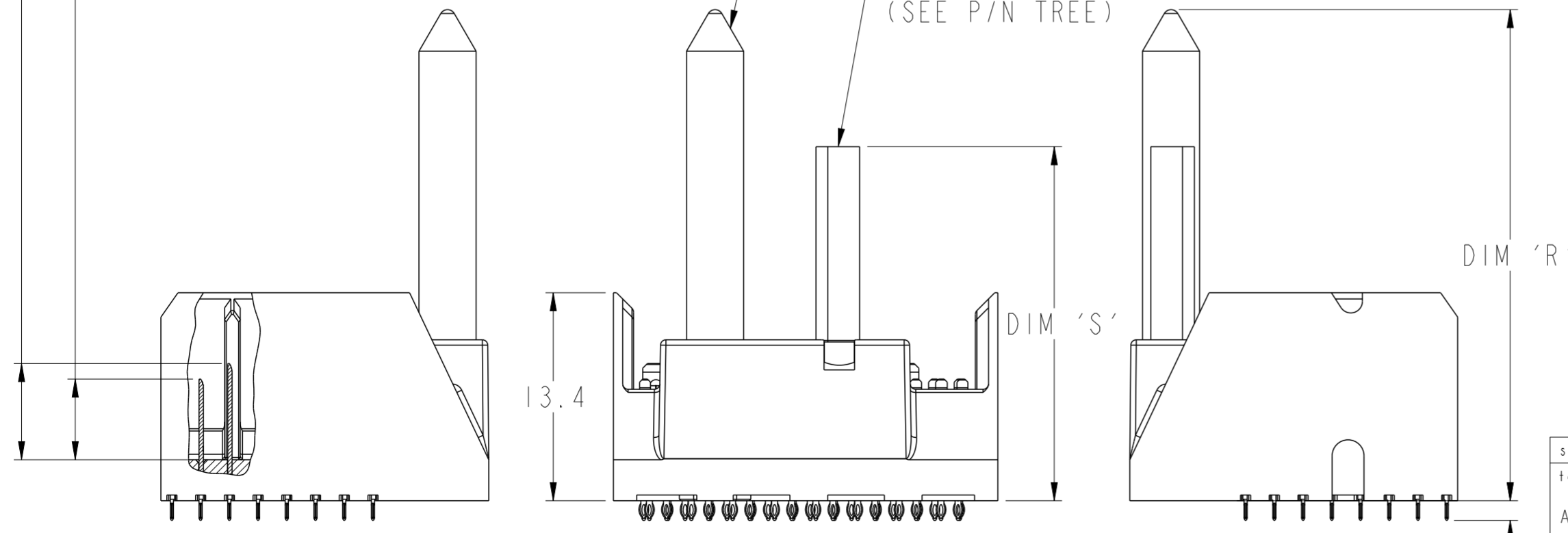
ASSEMBLY BASE CONFIGURATION END DASH NO.	GUIDE PIN	POLARIZING KEY
	DIM 'R'	DIM 'S'
-X0X	31.6mm	22.8mm
-X4X	25.7mm	20.0mm

spec ref	SEE NOTES	dr	Jim Swain	2009/07/07	projection	MM	size	A2	scale	4:1	
tolerance std	ASME Y14.5	eng	Roger Ng	2011/10/07	chr		ecn no	ELX-S-006600-1	rel level	Released	
surface	linear	0.X	±0.2	0.XX	±0.10	0.XXX	±0.050	angular	0°	±°	
ASME Y14.5	angular	0°	±°	www.fci.com		cat. no.	SEE P/N TREE	Product - Customer Drw	sheet 3 of 8	rev	D

RIGHT POLARIZING/GUIDE MODULE



- 6.2 (4MM WIPE WIDE GROUNDS)
- 5.2 (3MM WIPE WIDE GROUNDS)
- 5.2 (3MM SMALL END GROUNDS)
- 5.2 (3MM WIPE SIGNALS)
- 4.2 (2MM WIPE SIGNALS)
- SEE P/N TREE



PCB HOLE PATTERN
COMPONENT SIDE
SCALE 6:1

⊕	∅0.10	X_BP	Y_BP
---	-------	------	------

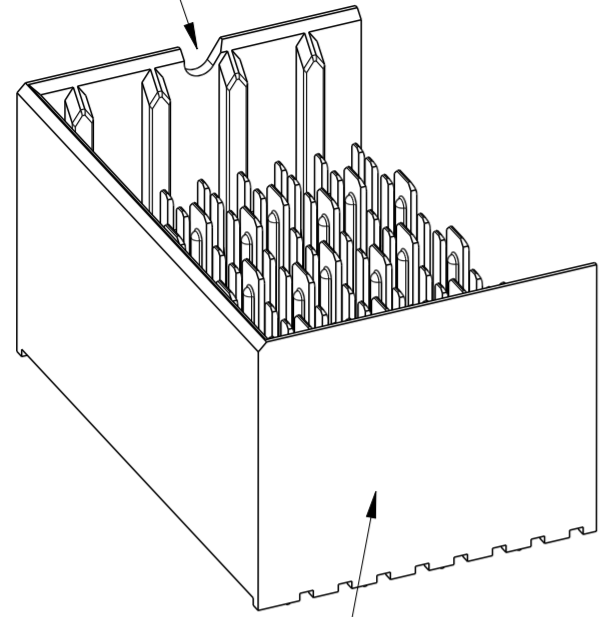
SEE NOTE 11 & TABLE 1

ASSEMBLY BASE CONFIGURATION END DASH NO.	GUIDE PIN	POLARIZING KEY
	DIM 'R'	DIM 'S'
-X0X	31.6mm	22.8mm
-X4X	25.7mm	20.0mm

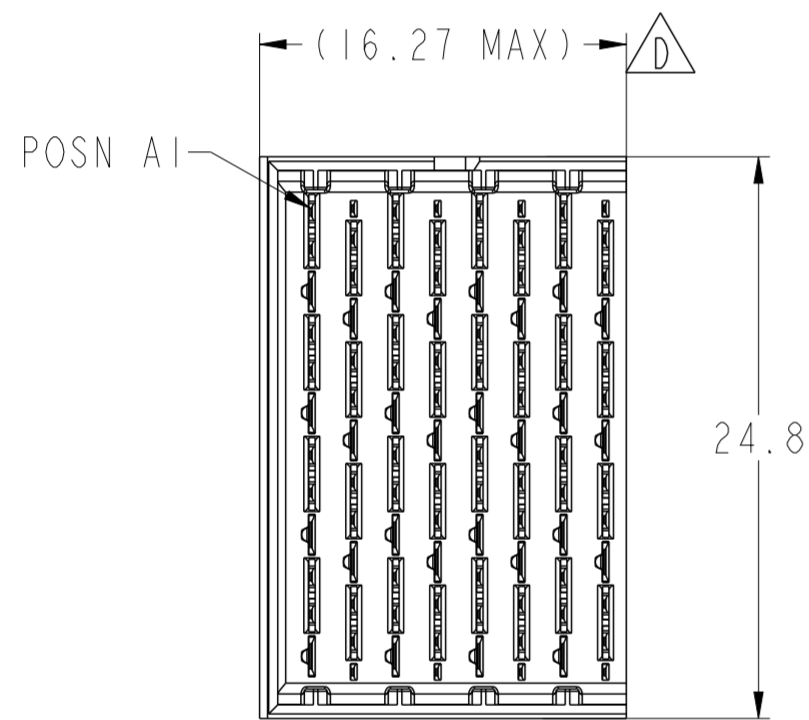
spec ref	SEE NOTES	dr	Jim Swain	2009/07/07	projection	MM	size	A2	scale	4:1
tolerance std	ASME Y14.5	eng	Roger Ng	2011/10/07	chr		ecn no	ELX-S-006600-1	rel level	Released
surface	linear	appr	Chen-Hong Tan	2011/10/07	product family	XCode	cat. no.	SEE P/N TREE	Product - Customer Drw	sheet 4 of 8
ASME Y14.5	angular	0°	±	0.X	±0.2	0.XX	±0.10	0.XXX	±0.050	10091777

LEFT WALL MODULE

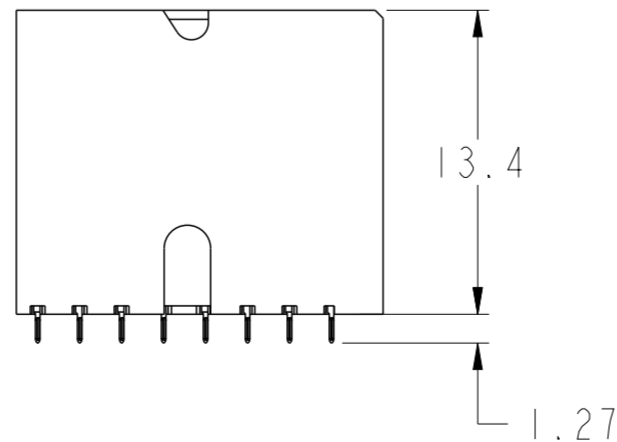
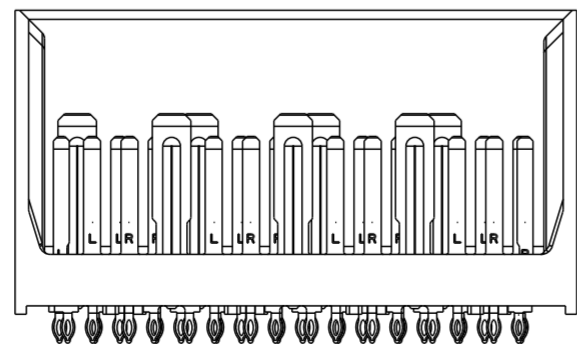
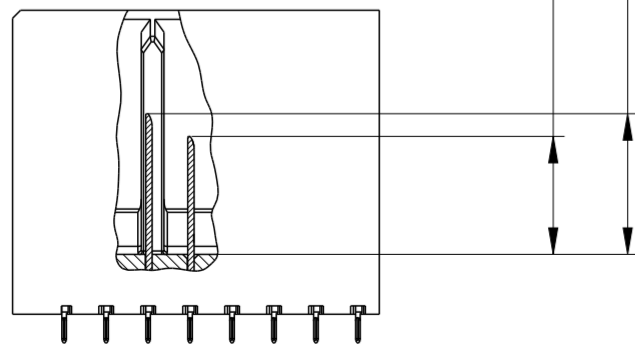
SEE NOTE 8



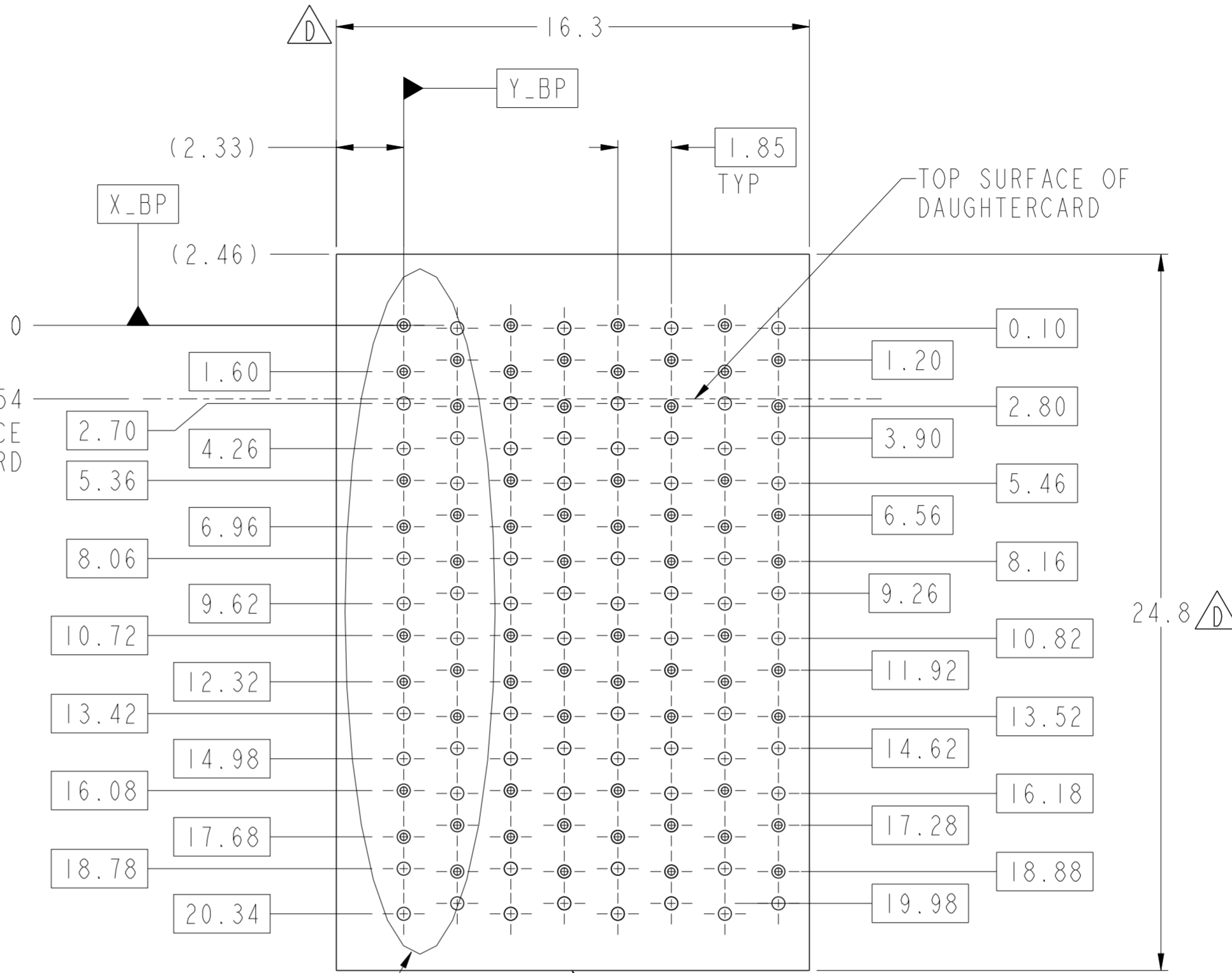
SEE NOTE 5



- 6.2 (4MM WIPE WIDE GROUNDS)
 - 5.2 (3MM WIPE WIDE GROUNDS)
 - 5.2 (3MM SMALL END GROUNDS)
 - 5.2 (3MM WIPE SIGNALS)
 - 4.2 (2MM WIPE SIGNALS)
- SEE P/N TREE



2.54
TO TOP SURFACE
OF DAUGHTERCARD



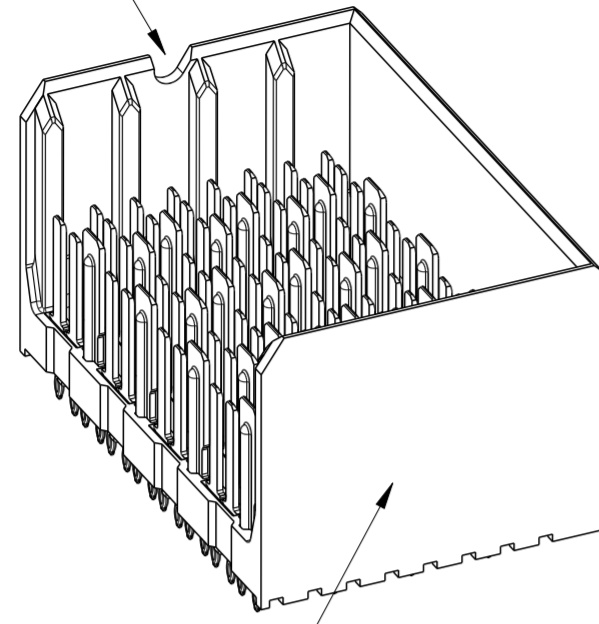
SEE DETAIL A
(SHEET 8)

PCB HOLE PATTERN
COMPONENT SIDE
SCALE 6:1

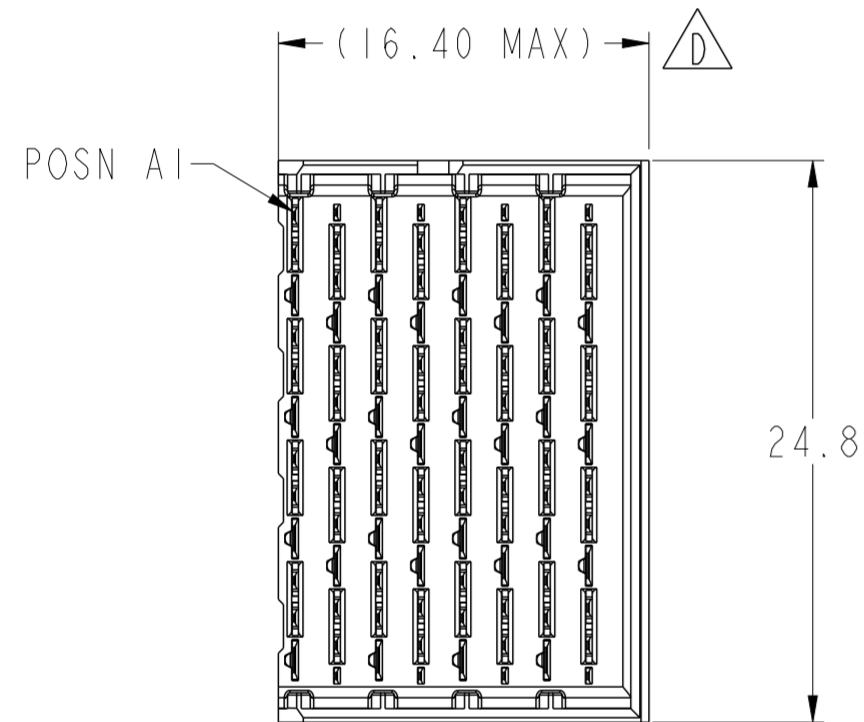
spec ref	SEE NOTES	dr	Jim Swain	2009/07/07	projection	MM	size	A2	scale	4:1
tolerance std	ASME Y14.5	eng	Roger Ng	2011/10/07	chr	-	ecn no	ELX-S-006600-1	rel level	Released
surface	✓	appr	Chen-Hong Tan	2011/10/07	product family	XCede	rel level	Blue	dwg no	10091777
ASME Y14.5	linear	0.X	±0.2	0.XX	±0.10	0.XXX	±0.050	angular	0°	±°
				MODULE ASSEMBLY VERTICAL HEADER, 8-COLUMN, 4-PAIR		cat. no. SEE P/N TREE		Product - Customer Drw		sheet 5 of 8

RIGHT WALL MODULE

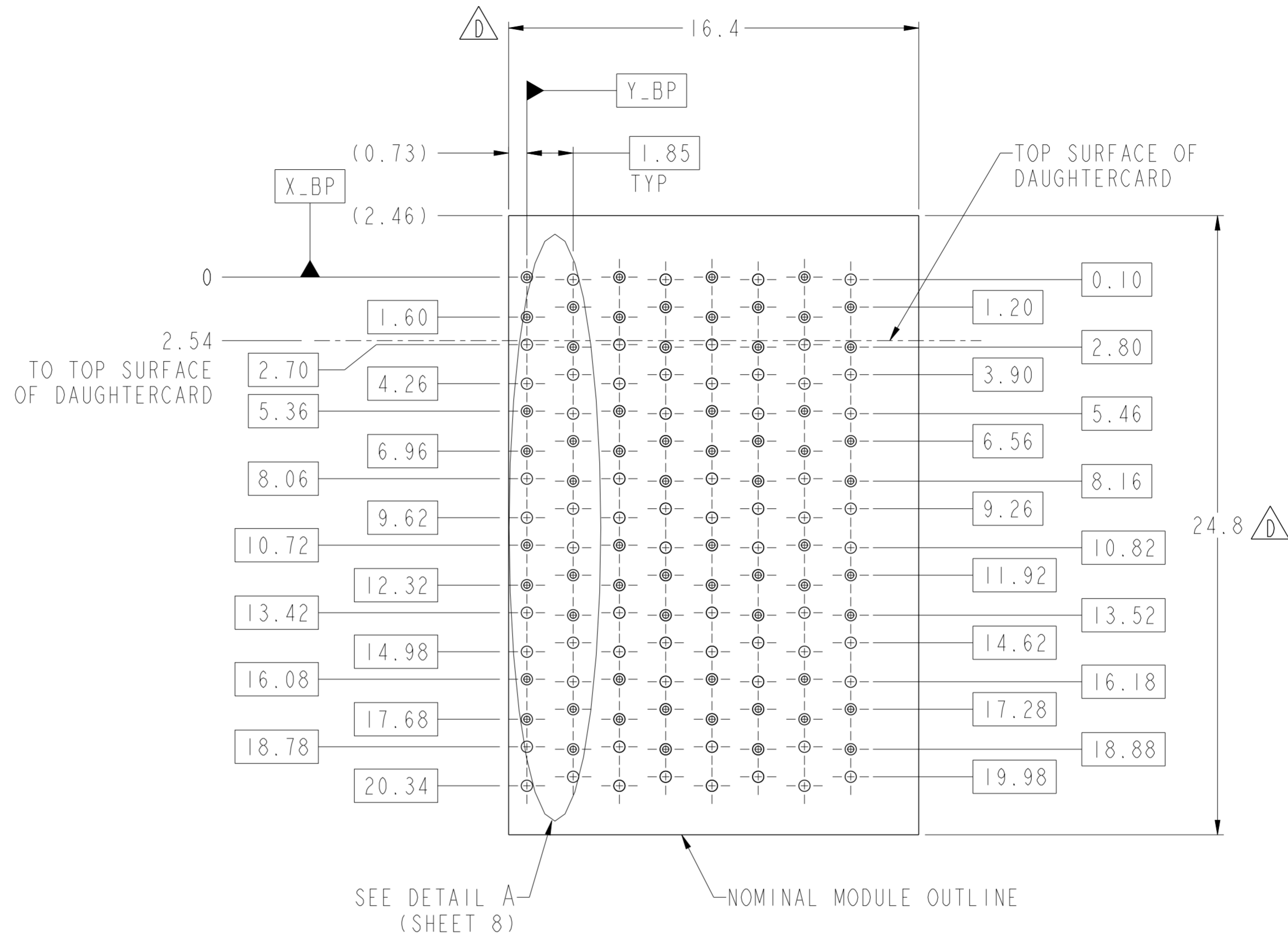
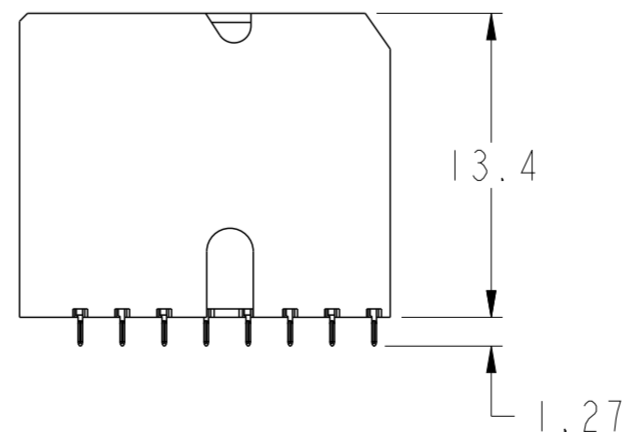
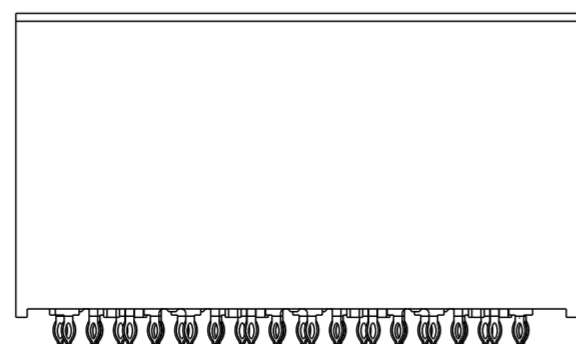
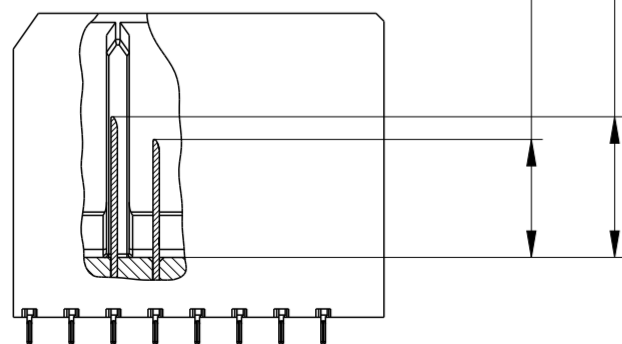
SEE NOTE 8



SEE NOTE 5



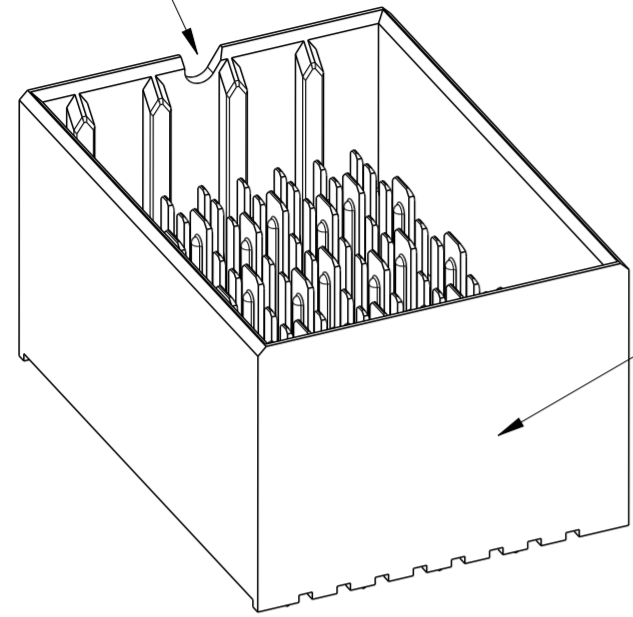
- 6.2 (4MM WIPE WIDE GROUNDS)
 - 5.2 (3MM WIPE WIDE GROUNDS)
 - 5.2 (3MM SMALL END GROUNDS)
 - 5.2 (3MM WIPE SIGNALS)
 - 4.2 (2MM WIPE SIGNALS)
- SEE P/N TREE



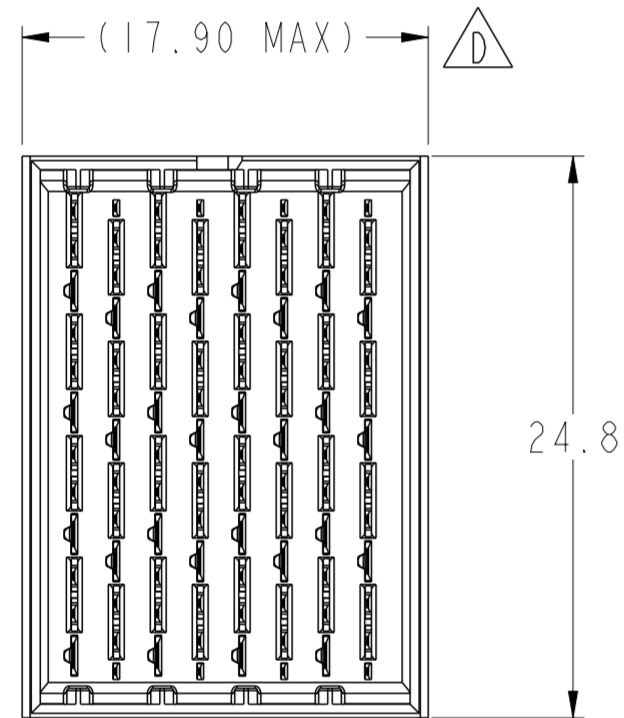
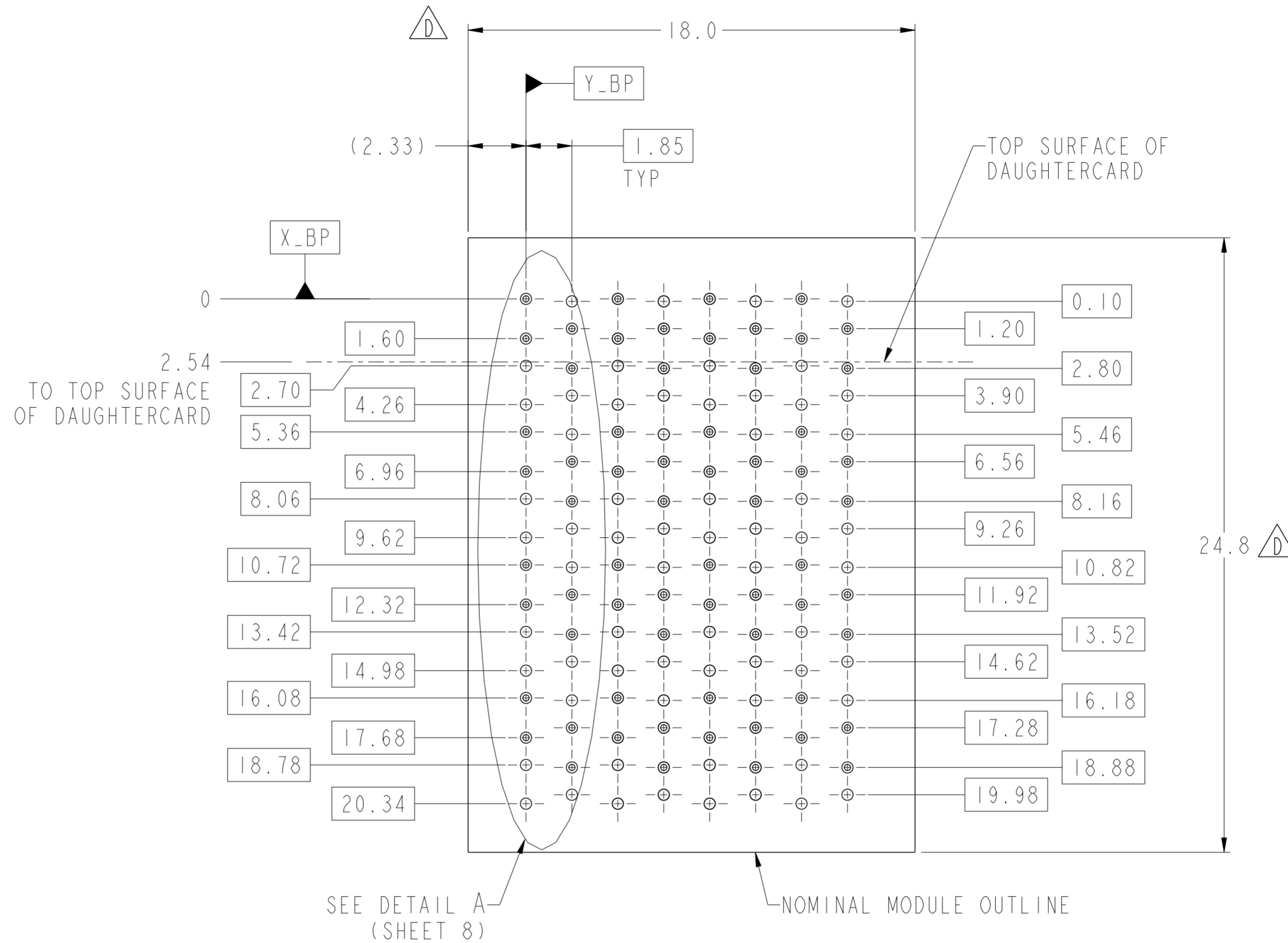
spec ref	SEE NOTES	dr	Jim Swain	2009/07/07	projection	MM	size	A2	scale	4:1
tolerance std	ASME Y14.5	eng	Roger Ng	2011/10/07	chr	-	ecn no	ELX-S-006600-1	rel level	Released
surface	✓	appr	Chen-Hong Tan	2011/10/07	product family	XCode	cat. no.	SEE P/N TREE	Product - Customer Drw	sheet 6 of 8
linear	0.X ±0.2 0.XX ±0.10 0.XXX ±0.050	angular	0° ±°			MODULE ASSEMBLY VERTICAL HEADER, 8-COLUMN, 4-PAIR	dwg no 10091777	rev D		

FOUR WALL MODULE

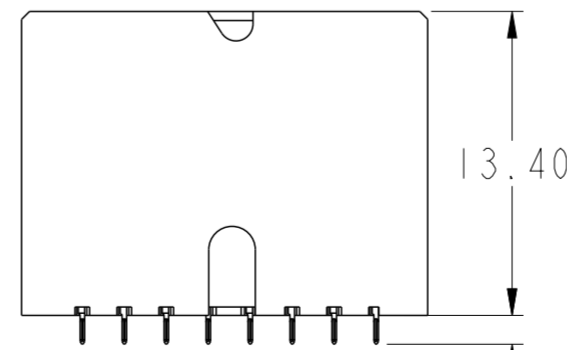
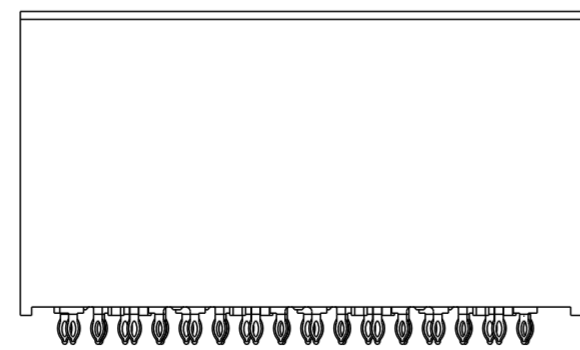
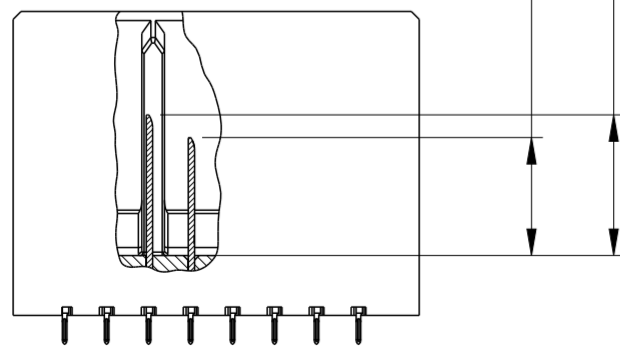
SEE NOTE 8



SEE NOTE 5



- 6.2 (4MM WIPE WIDE GROUNDS)
- 5.2 (3MM WIPE WIDE GROUNDS)
- 5.2 (3MM SMALL END GROUNDS)
- 5.2 (3MM WIPE SIGNALS)
- 4.2 (2MM WIPE SIGNALS)
- SEE P/N TREE



spec ref	SEE NOTES	dr	Jim Swain	2009/07/07	projection	MM	size	A2	scale	3:1
tolerance std	ASME Y14.5	eng	Roger Ng	2011/10/07	chr	-	ecn no	ELX-S-006600-1	rel level	Released
surface	✓	appr	Chen-Hong Tan	2011/10/07	product family	XCede	dwg no	10091777	rev	D
ASME Y14.5	linear	0.X	±0.2	0.XX	±0.10	0.XXX	±0.050	angular	0°	±°
		www.fci.com		cat. no.		SEE P/N TREE	Product - Customer Drw		sheet 7 of 8	



NOTES:

1. CONNECTOR MATERIALS
SHROUD: HIGH-TEMP THERMOPLASTIC, GRAY, UL94V-0
CONTACTS: HIGH PERFORMANCE COPPER ALLOY
2. CONTACT PLATING:

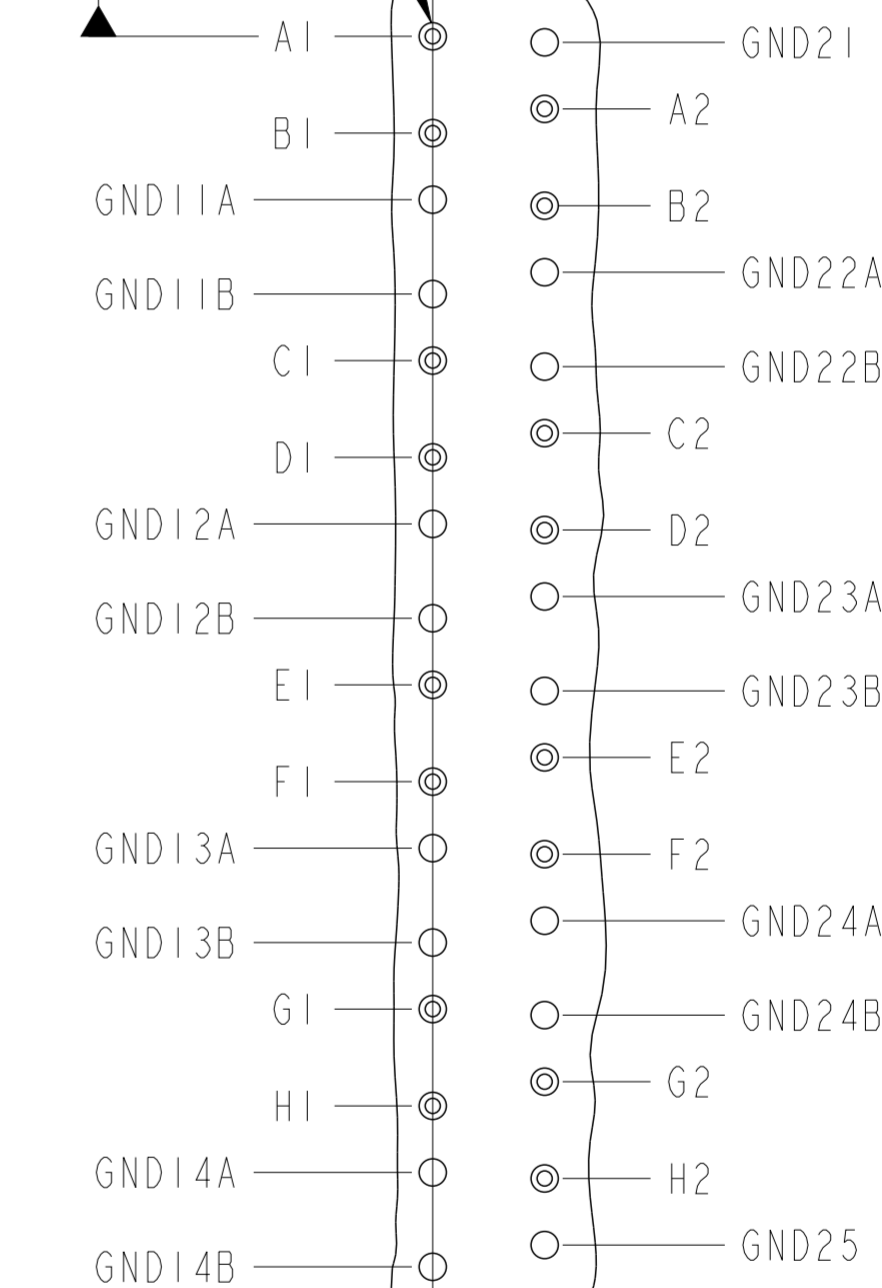
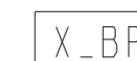
SEPARABLE INTERFACE: PERFORMANCE-BASED PLATING, QUALIFIED TO MEET THE REQUIREMENTS OF FCI PRODUCT SPECIFICATION GS-12-588, INCLUDING THE TELCORDIA GR-1217-CORE (NOVEMBER 1995) CENTRAL OFFICE (CO) OR UNCONTROLLED ENVIRONMENT (UE) TEST SEQUENCE AS NOTED IN P/N TREE.

PRESS-FIT TAILS: TIN OVER NICKEL (LF), OR TIN-LEAD ALLOY OVER NICKEL (NON-LF). SEE P/N TREE.
3. PRODUCT SPECIFICATION: GS-12-588
4. APPLICATION SPECIFICATION: GS-20-121
5. PRODUCT MARKING (PART NUMBER AND LOT CODE) ON THESE SURFACES.
6. HOUSING MUST WITHSTAND EXPOSURE TO 260°C PEAK TEMPERATURE FOR 40 SECONDS IN A CONVECTION, INFRA-RED, OR VAPOR-PHASE REFLOW OVEN.
7. PACKAGING MEETS GS-14-920 LEAD-FREE LABELING SPECIFICATION.
8. NOTCH INDICATES "ROW A" SIDE OF CONNECTOR.
9. SEE APPLICATION SPECIFICATION FOR ROUTING GUIDELINES, ADDITIONAL PTH GUIDELINES, MATED DIMENSIONS, GUIDE PN SELECTION, ETC.
10. SCREW IS OPTIONAL AND ENGAGES WITH BOTTOM OF GUIDE-PIN FROM BENEATH THE PCB FOR ADDITIONAL GUIDE-PIN SUPPORT.
11. OPTIONAL HOLE LOCATION FOR GROUNDED PIN OR ADDITIONAL GUIDE-PIN SUPPORT. SEE TABLE 1 ON SHEET 1 FOR ADDITIONAL DETAILS.
12. A $\triangle D$ SYMBOL WILL BE NEXT TO ANY DIMENSION, VIEW OR NOTE THAT HAS BEEN MODIFIED WITH THE CURRENT DRAWING REVISION.

TABLE 3: PTH AND PAD SIZES WITH REFERENCE TO COMPLIANT PIN DRILL

COMPLIANT PIN DRILL	PTH	PAD
$\varnothing 0.55$ [0.0217"]	$\varnothing 0.45 \pm 0.05$	$\varnothing 0.85$
$\varnothing 0.45$ [0.0177"]	$\varnothing 0.36 \pm 0.05$	$\varnothing 0.75$

REFER TO TABLE 3 FOR PTH, DRILL & PAD SIZES



DETAIL A
SCALE 8:1

spec ref	SEE NOTES	dr	Jim Swain	2009/07/07	projection	MM	size	A2	scale	4:1								
tolerance std	TOLERANCES UNLESS OTHERWISE SPECIFIED	eng	Roger Ng	2011/10/07			ecn no	ELX-S-006600-1	rel level	Released								
ASME Y14.5		chr	-	2011/10/07							product family	XCede						
surface	<table border="1"> <tr> <td>linear</td> <td>0.X</td> <td>± 0.2</td> </tr> <tr> <td></td> <td>0.XX</td> <td>± 0.10</td> </tr> <tr> <td></td> <td>0.XXX</td> <td>± 0.050</td> </tr> <tr> <td>angular</td> <td>0°</td> <td>\pm</td> </tr> </table>	linear	0.X	± 0.2								0.XX	± 0.10		0.XXX	± 0.050	angular	0°
linear	0.X	± 0.2																
	0.XX	± 0.10																
	0.XXX	± 0.050																
angular	0°	\pm																
ASME Y14.5		appr	Chen-Hong Tan	2011/10/07	title	MODULE ASSEMBLY	dwg no	10091777	rev	D								