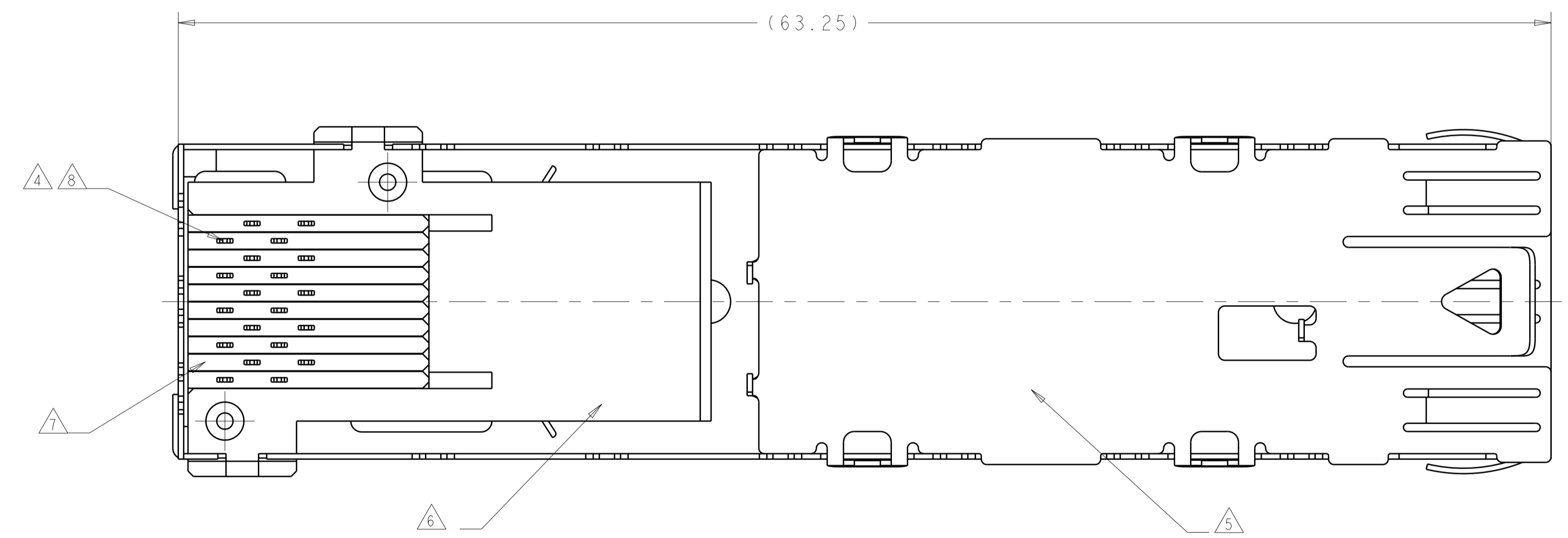
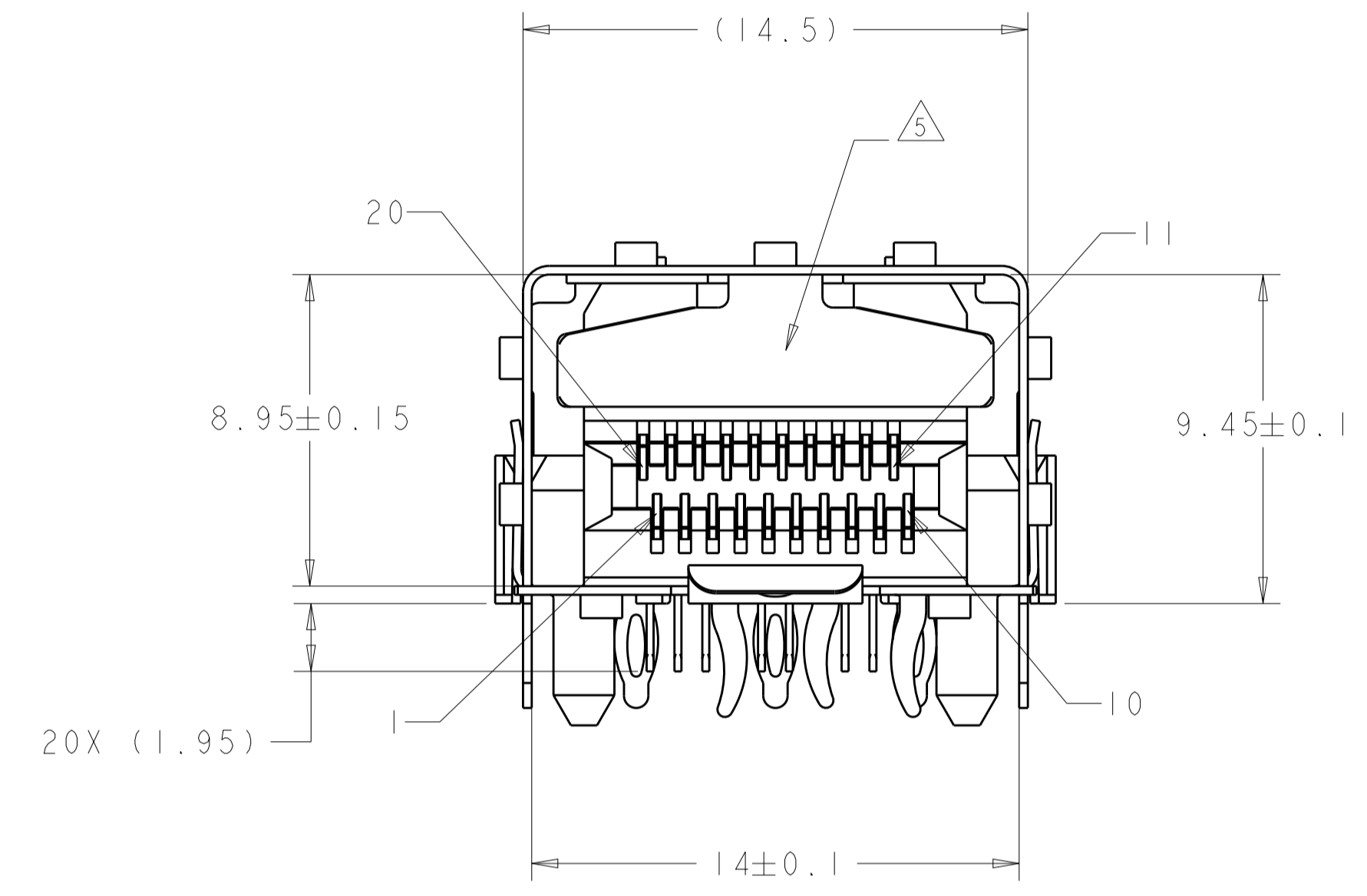
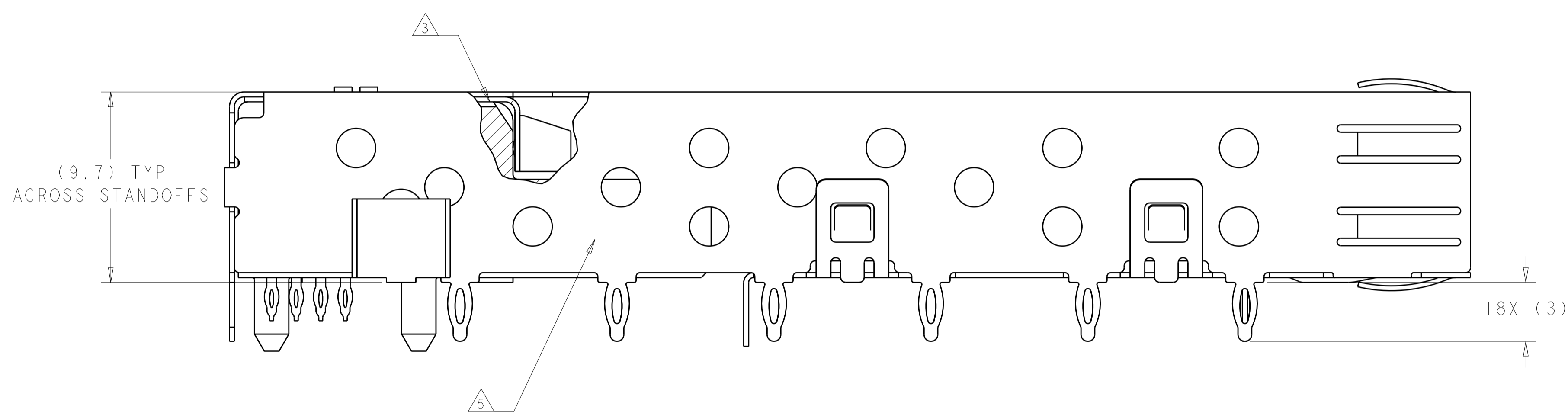
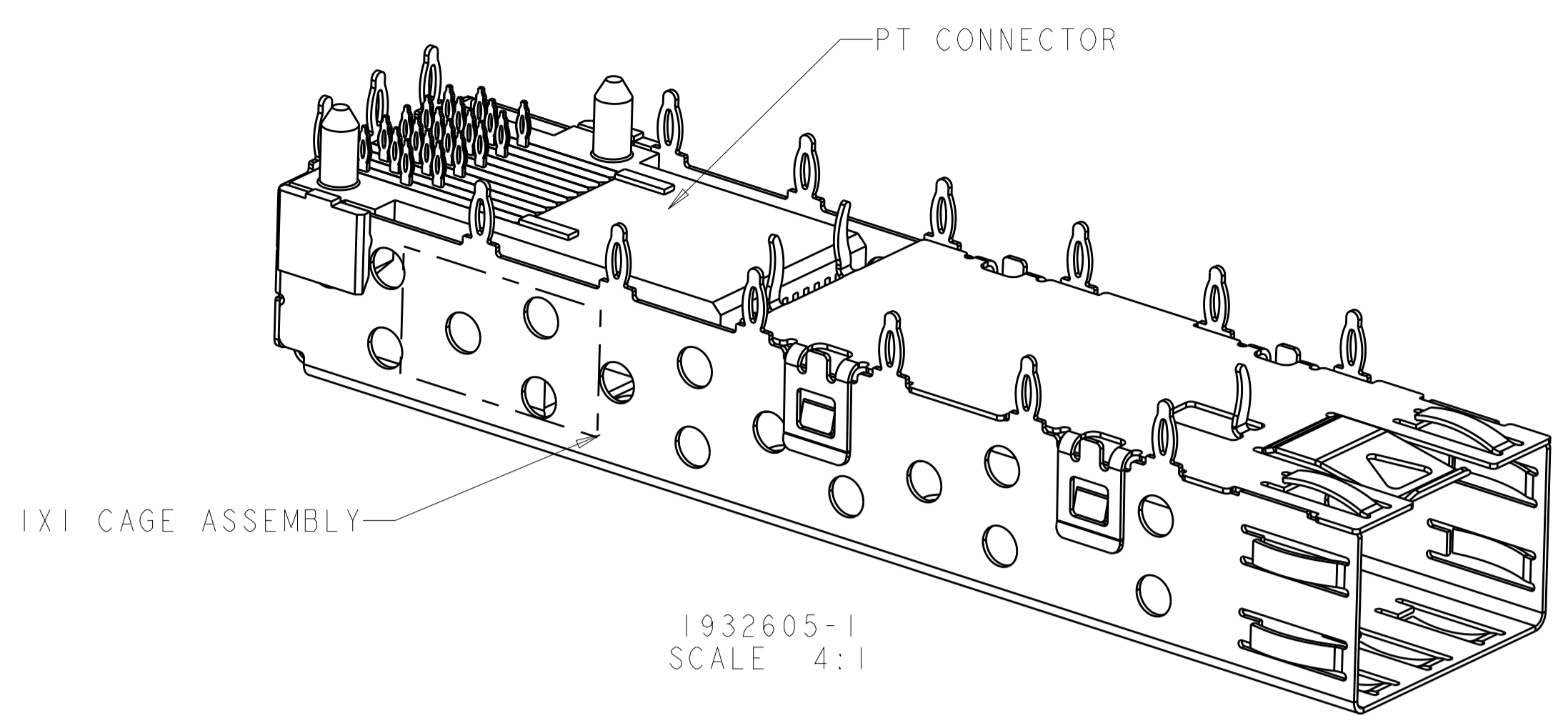
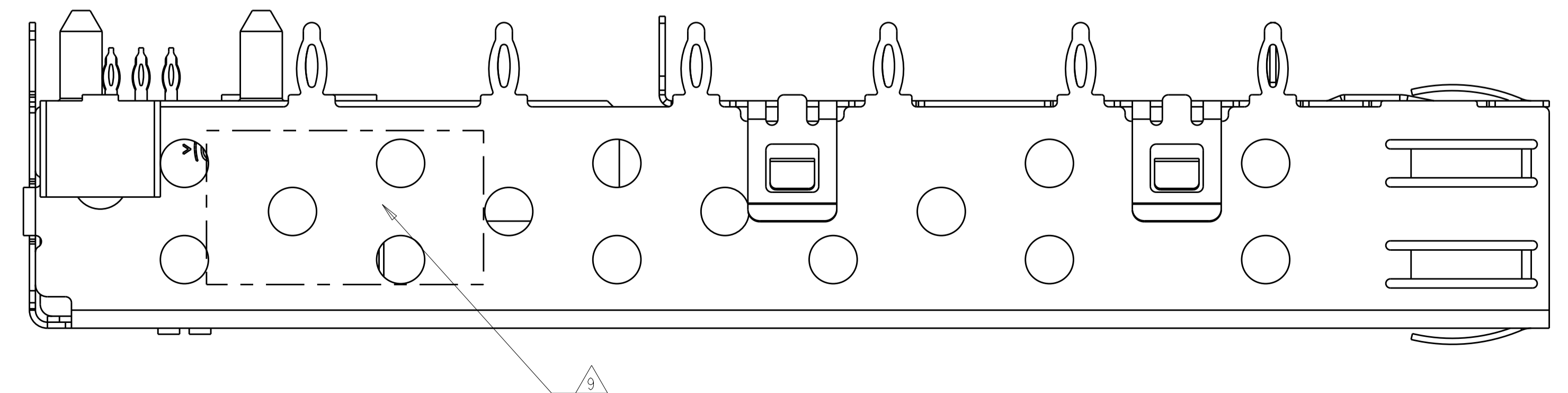


LOC		DIST		REVISIONS			
ES		00		REV	DATE	BY	CHK
A	RELEASE	10MAY2010	JY	SY			
B	REVISED PER ECO-14-000886	20FEB2014	JW	SH			



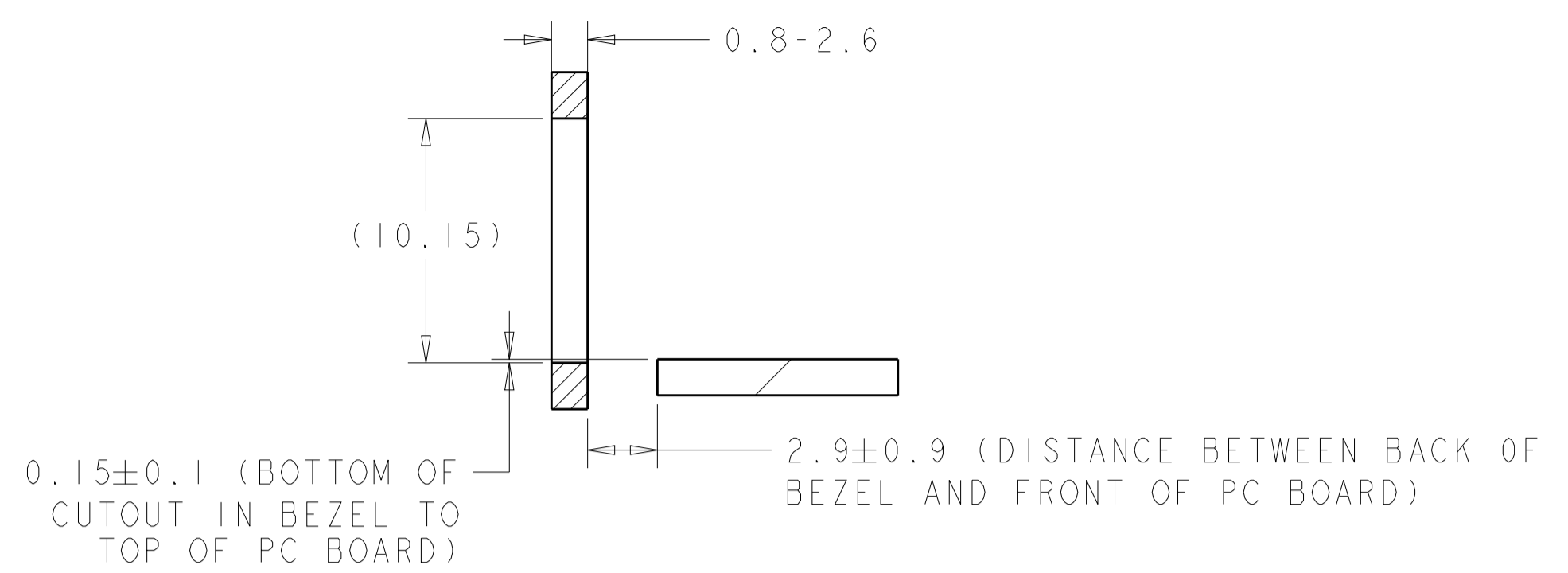
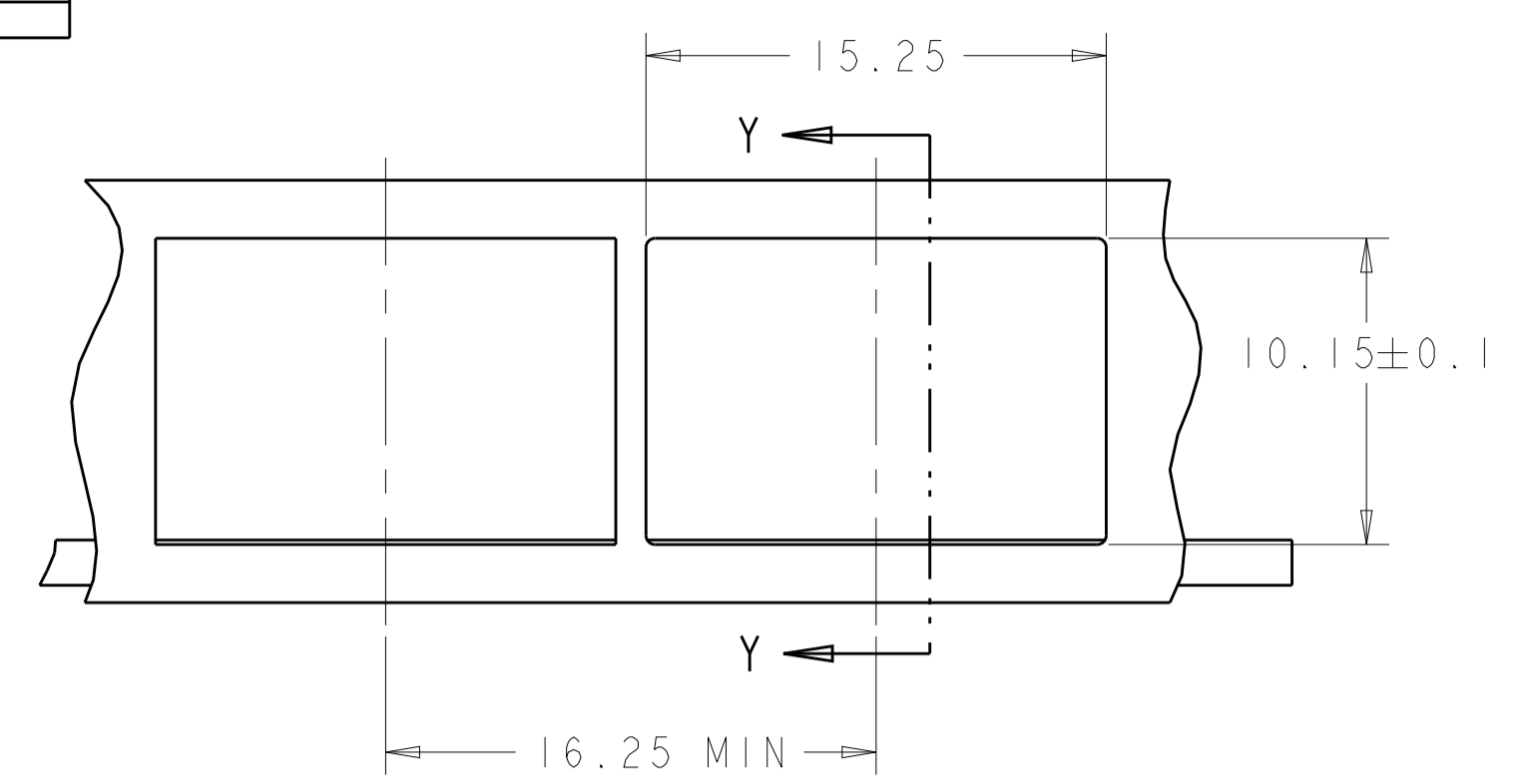
- ① DATUM AND BASIC DIMENSION TO BE DETERMINED BY CUSTOMER.
- ② INTERPRETATION OF DATUM REFERENCE FRAME IN ACCORDANCE WITH SECT 4.4.1.1 OF ASME Y14.5M-1994.
- ③ TOP OF PT CONNECTOR TO BE 0-0.15 FROM INSIDE SURFACE OF CAGE.
- ④ COPPER ALLOY.
- ⑤ NICKEL SILVER ALLOY (NO PLATING).
- ⑥ LCP, HIGH TEMPERATURE, UL 94V-0 RATED, BLACK.
- ⑦ POLYESTER, UL 94V-0 RATED, BLACK.
- ⑧ CONTACT MATING AREA: SURFACE TREATMENT OVER 0.76um MIN GOLD PER ASTM B 488 OVER 1.27um MIN NICKEL PER QQ-N-290. NEEDLE EYE: 1.25um MIN TIN PER ASTM B 545 OVER 1.25um MIN NICKEL PER QQ-N-290. REMAINDER OF CONTACT: 0.76um MIN NICKEL PER QQ-N-290.
- ⑨ DATE CODE AND PART NUMBER IN APPROXIMATE LOCATION SHOWN



1932605-1  
PART NUMBER

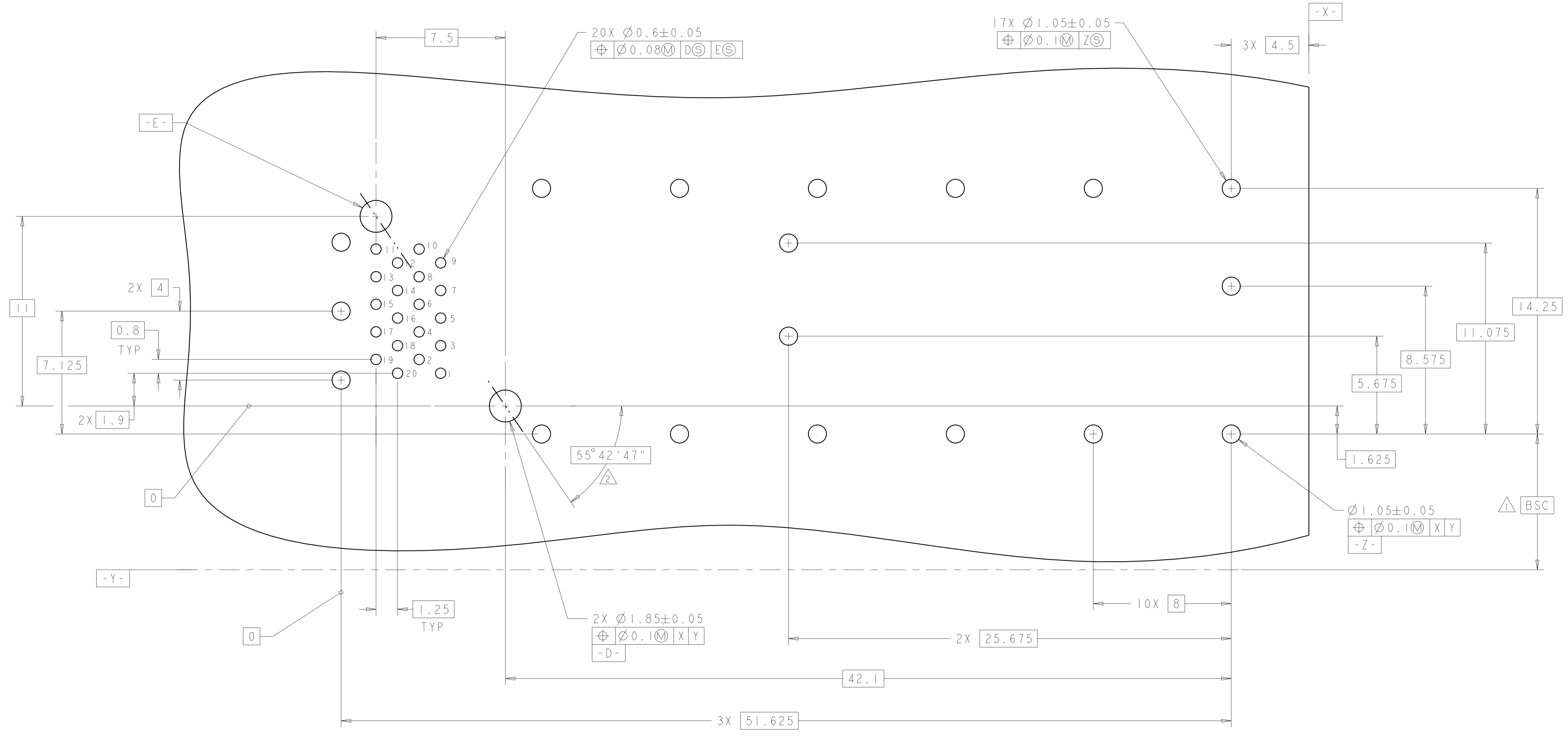
THIS DRAWING IS A CONTROLLED DOCUMENT.		DWN: JASON YANG 08APR2010		TE Connectivity NAME: CAGE AND PT CONNECTOR ASSEMBLY, 1x1, PRESS FIT, SFP	
DIMENSIONS:		CHK: SUNY ZHAO 08APR2010			
mm		APVD: STEVEN YAO 08APR2010		PRODUCT SPEC	
0 PLC ± 1 PLC ±0.1 2 PLC ± 3 PLC ± 4 PLC ± ANGLES ±		TOLERANCES UNLESS OTHERWISE SPECIFIED:		APPLICATION SPEC	
MATERIAL		FINISH		WEIGHT	
SEE NOTE		SEE NOTE		CUSTOMER DRAWING	
SIZE: A1		CAGE CODE: C=1932605		RESTRICTED TO: -	
SCALE: 6:1		SHEET: 1 OF 3		REV: B	

LOC		DIST		REVISIONS			
ES	00	P	LTN	DESCRIPTION	DATE	DMN	APVD
				SEE SHEET 1			



RECOMMENDED BEZEL CUTOUT AND PC BOARD AND BEZEL POSITION  
SCALE 4:1

SECTION Y-Y



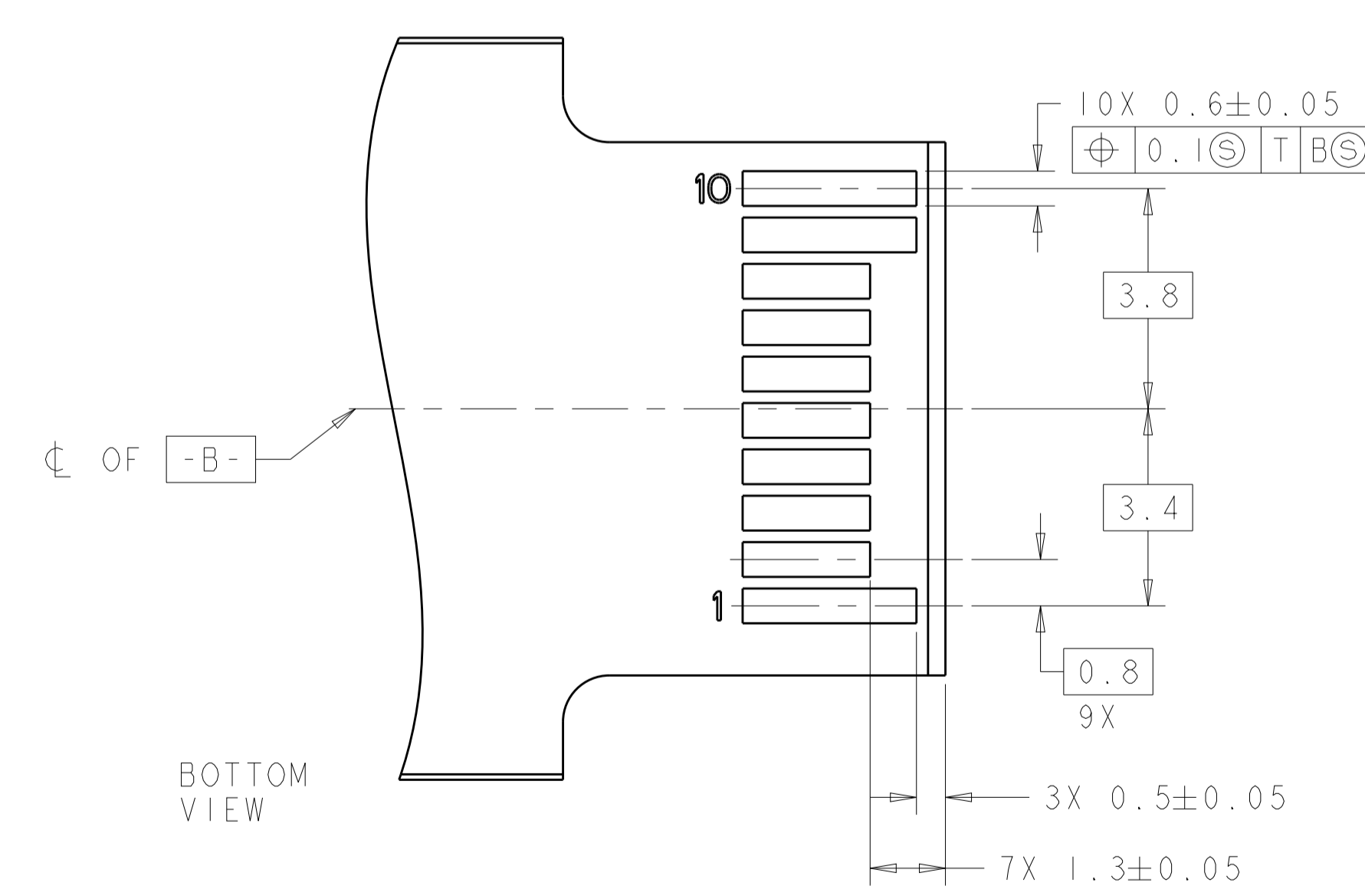
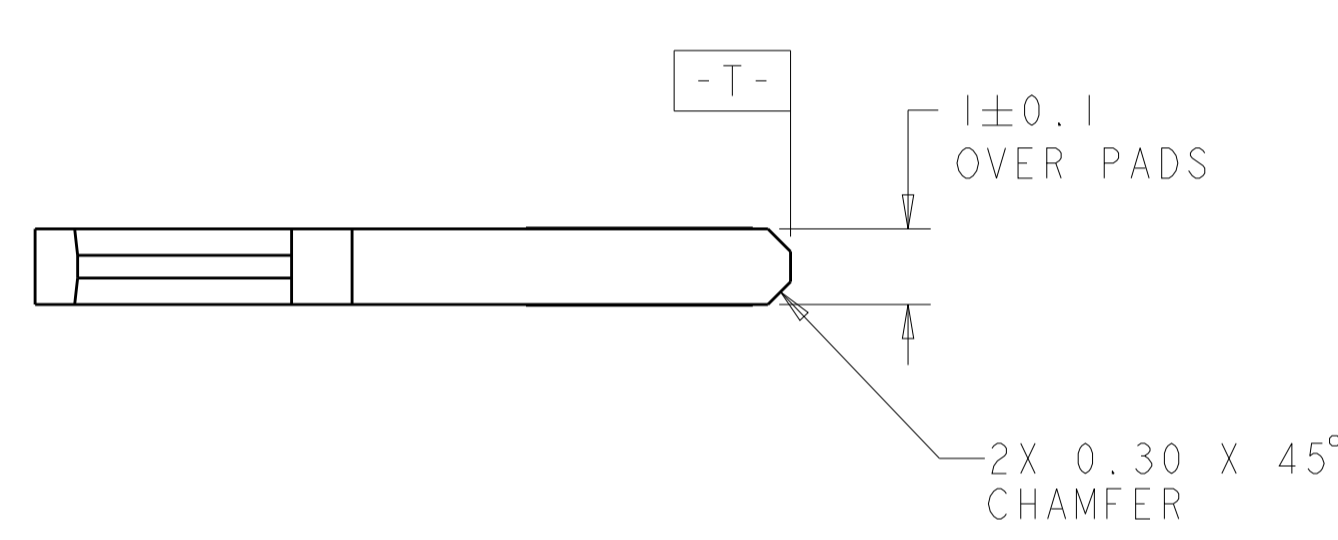
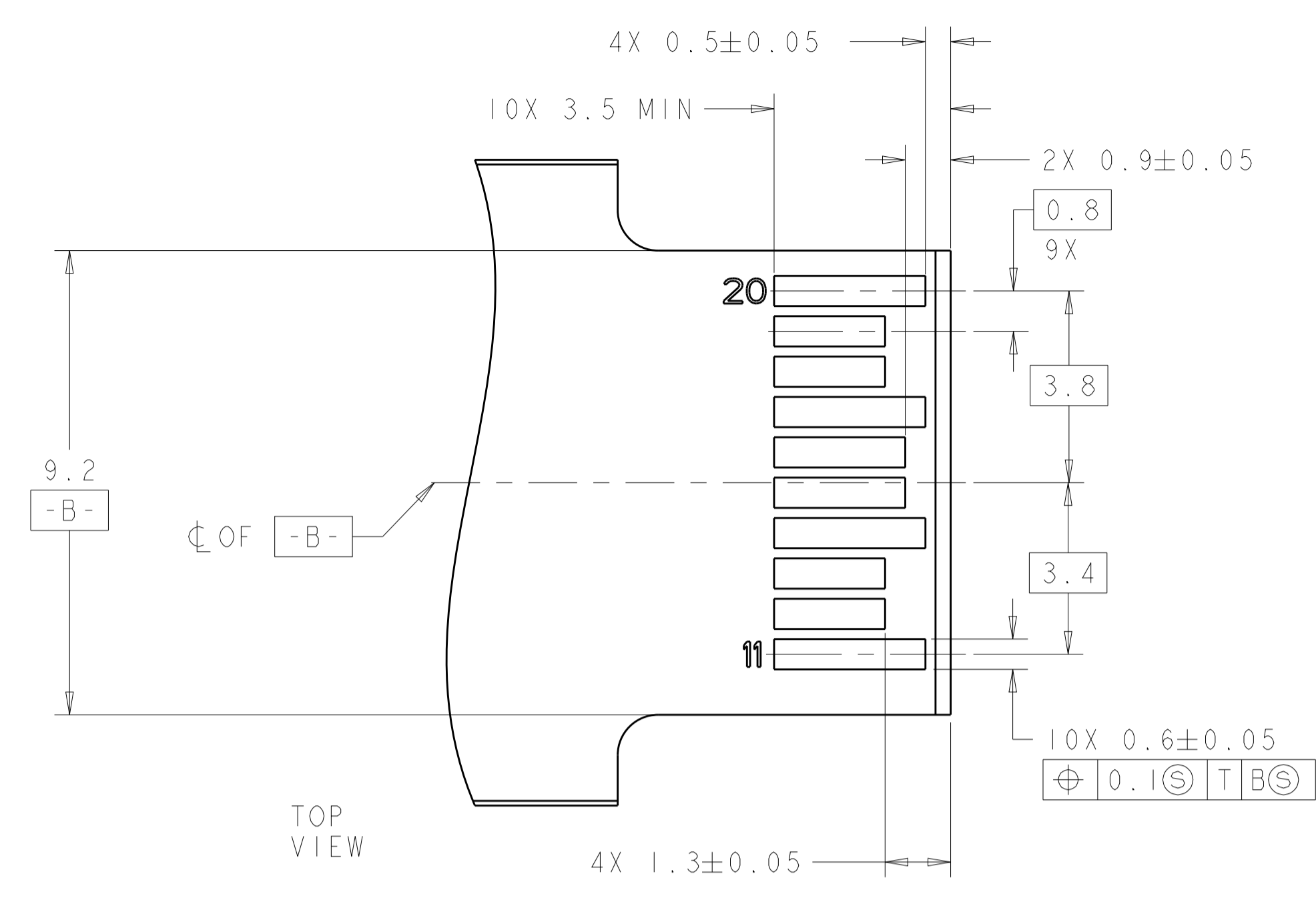
SFP HOST BOARD  
MECHANICAL LAYOUT  
SCALE 8:1

THIS DRAWING IS A CONTROLLED DOCUMENT.

DIMENSIONS:	TOLERANCES UNLESS OTHERWISE SPECIFIED:	DMN: JASON YANG 08APR2010	CHK: SUNY ZHAO 08APR2010	APVD: STEVEN YAO 08APR2010	NAME: CAGE AND PT CONNECTOR ASSEMBLY, 1x1, PRESS FIT, SFP
mm	0 PLC ±	PRODUCT SPEC	108-2161	APPLICATION SPEC	SIZE: A1
	1 PLC ±0.1	114-13121	WEIGHT	SCALE: 1:1	SHEET 2 OF 3
	3 PLC ±	SEE NOTE	CUSTOMER DRAWING	REV B	
	4 PLC ±				
	ANGLES				
	FINISH				

STE TE Connectivity

LOC	DIST	REVISIONS			
P	LTN	DESCRIPTION	DATE	DWN	APVD
ES	00	SEE SHEET 1			



RECOMMENDED LAYOUT FOR MATING TRANSCEIVER PCB  
SCALE 10:1

THIS DRAWING IS A CONTROLLED DOCUMENT.		DWN: JASON YANG 08APR2010	TE Connectivity	
DIMENSIONS: mm		CHK: SUNY ZHAO 08APR2010		
TOLERANCES UNLESS OTHERWISE SPECIFIED:		APVD: STEVEN YAO 08APR2010	NAME: CAGE AND PT CONNECTOR ASSEMBLY, 1x1, PRESS FIT, SFP	
0 PLC ±		PRODUCT SPEC: 108-2161	SIZE: A1	
1 PLC ±0.1		APPLICATION SPEC: 114-13121	CAGE CODE: C=1932605	
2 PLC ±		WEIGHT: -	RESTRICTED TO: -	
3 PLC ±		FINISH: -	SCALE: 11:1	
4 PLC ±		SEE NOTE	SHEET 3 OF 3	
ANGLES ±		CUSTOMER DRAWING	REV B	