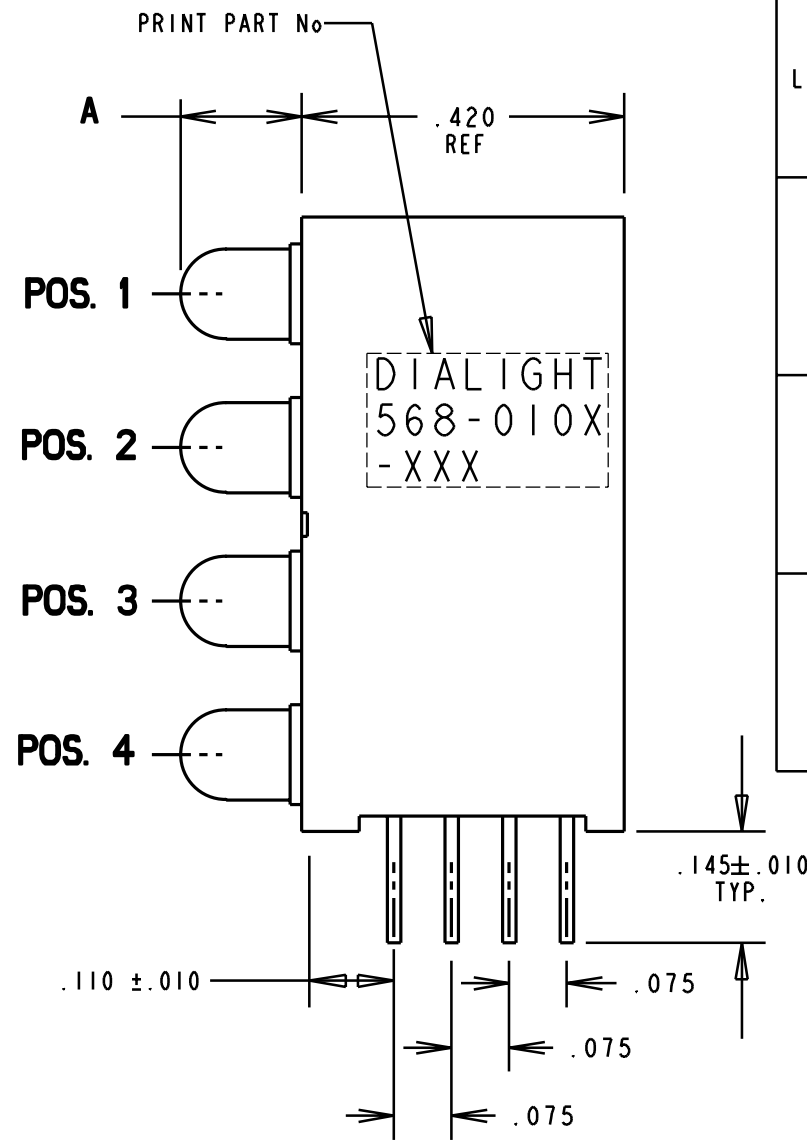
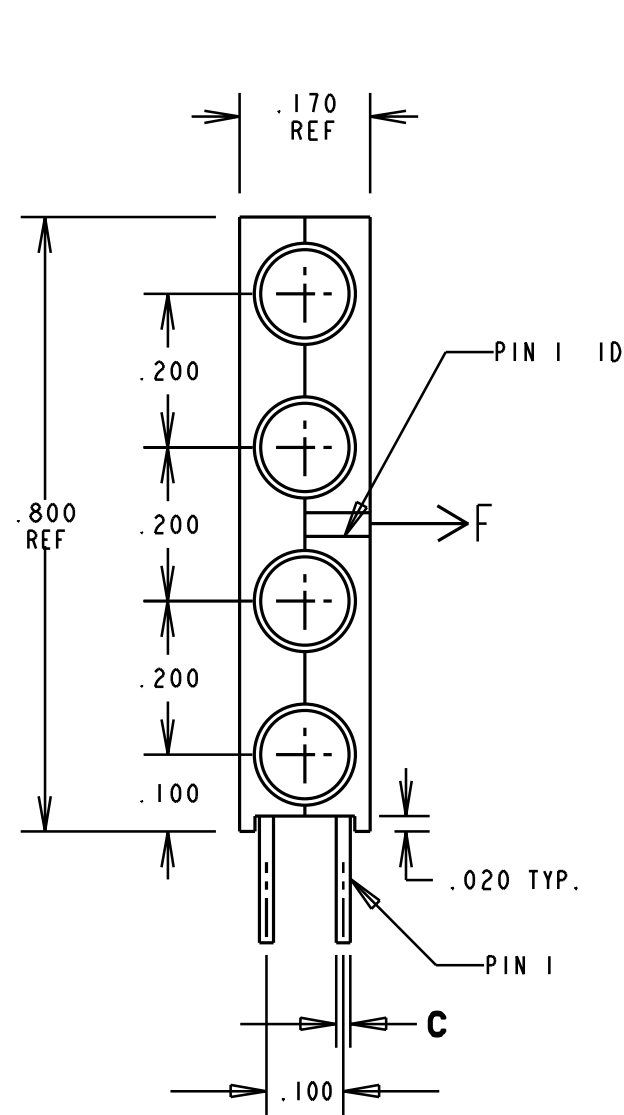


PART NUMBER	POS. 1	POS. 2	POS. 3	POS. 4
568-0107-777	ORANGE	ORANGE	ORANGE	ORANGE
568-0108-023	BLUE	** BLANK **	GREEN	YELLOW
568-0108-333	BLUE	YELLOW	YELLOW	YELLOW

LED	A	B	C	D
BLUE	.156	.110	.020	.043
GREEN	.150	.118	.018	.040
YELLOW	.150	.118	.018	.040
ORANGE	.150	.115	.018	.040

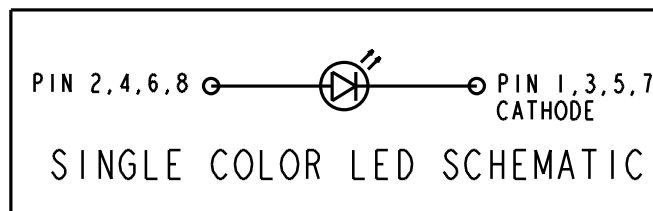
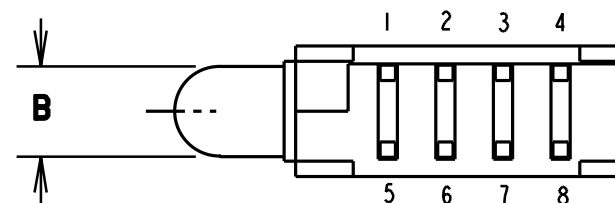
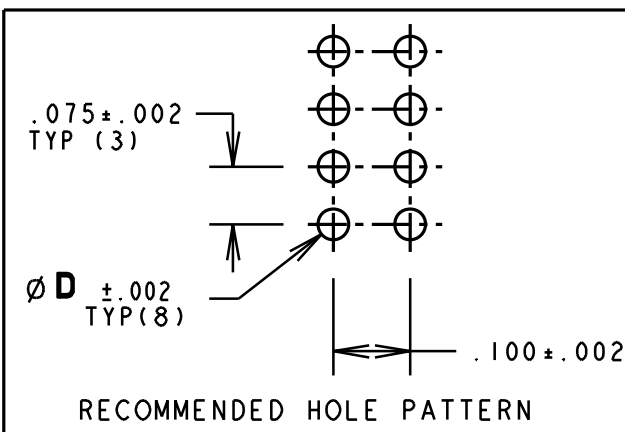
REV.	ECN NO.	REVISIONS	DRN.	CKD.	APP.	DATE
A	—	NEW RELEASE	AV			



OPERATING CHARACTERISTICS AT 25°C AMBIENT						
CHARACTERISTICS		MIN	TYP	MAX	UNITS	TEST CONDITIONS
LUMINOUS INTENSITY	BLUE	6.3		20	mcd	I F = 10 mA
	GREEN	4.7	12.6			
	YELLOW	7.4	10.0			
	ORANGE	3.4	7.0			
FORWARD VOLTAGE	BLUE		3.5	4.2	V	I F = 10 mA
	GREEN		2.1	2.8		I F = 20 mA
	YELLOW		2.1	2.8		I F = 10 mA
	ORANGE	1.5	2.2	3.0		
PEAK WAVELENGTH	BLUE		428		nm	
	GREEN		565			
	YELLOW		585			
	ORANGE		600			
VIEWING ANGLE	BLUE		70		Degree	
	GREEN		60			
	YELLOW		60			
	ORANGE		60			

NOTES:

- LEADS TO FIT INTO HOLES SPACED AS PER HOLE PATTERN
- LEADS TO BE FREE OF DEFORMATION AFTER BENDING AND CUTTING
- PIN NUMBERS FOR REFERENCE ONLY, DESIGNATION NON-EXISTENT ON PART
- LED LEAD DIMENSIONS SHOWN ARE MEASURED AT HOUSING EXIT
- DIALIGHT PART NUMBER:  
568-0107-777 568-0108-023 568-0108-333



THIS DRAWING AND THE CONTENTS HEREIN ARE CONFIDENTIAL AND THE SOLE PROPERTY OF DIALIGHT. REPRODUCTION OF THIS DRAWING OR CONSTRUCTION OF ANY PARTS WITHIN THIS DRAWING ARE FORBIDDEN WITHOUT THE WRITTEN CONSENT OF DIALIGHT.		
SCALE 4:1	DRAWING NUMBER	REV
ALL DIM'S IN: INCHES	C-16681	A
TOLERANCES: UNLESS OTHERWISE SPECIFIED	TITLE 3mm QUAD LEVEL CBI - CLAMSHELL	
FRACTIONS: ±1/64	MATERIAL	
DECIMALS (.XX): ±.020	Dialight	
DECIMALS (.XXX): ±.015	1913 ATLANTIC AVE.	
DECIMALS (.XXXX): ±.010	MANASQUAN, N.J. 08736	
ANGLES: ±3°	SHEET 1 OF 1	
FINISH:	FAMILY TABLE:	
FSCM 83330		