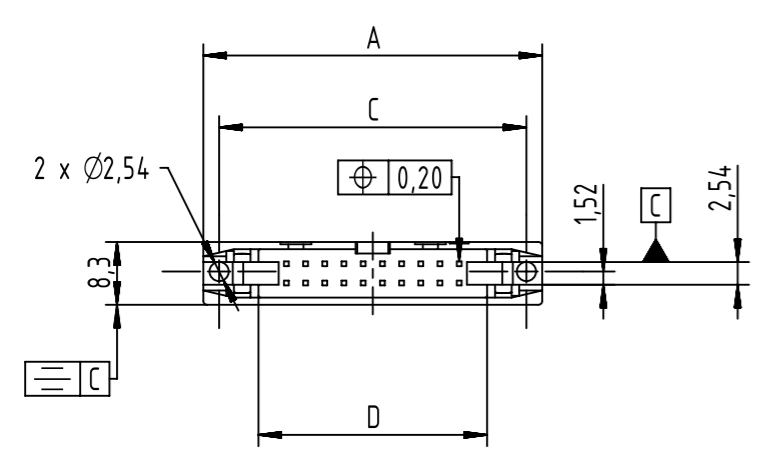
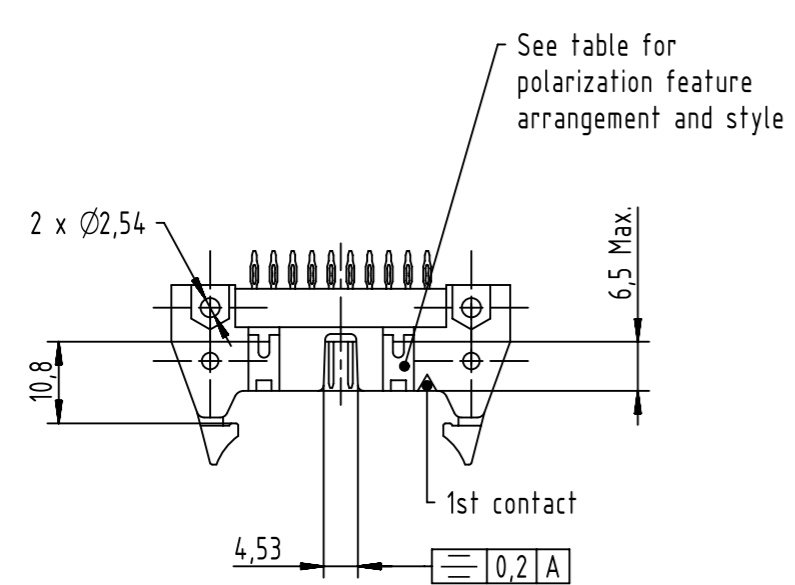
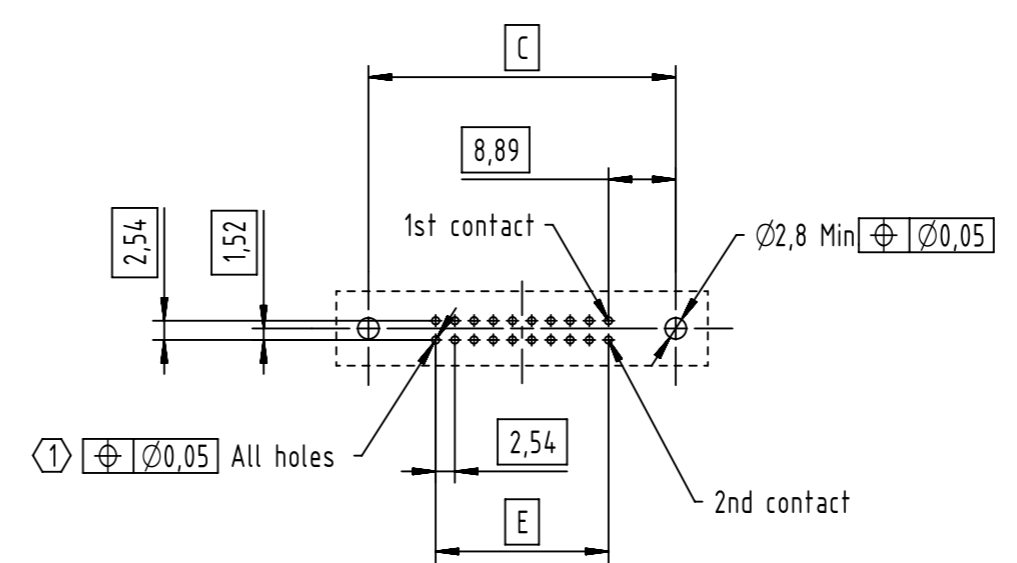


Polarization style table	
	Style A: For connectors 10 poles
	Style B: For connectors from 14 to 64 poles



PC-Board layout view component side



① Recommended plated through holes and further information see: DS 0918500001

	All Dimensions in mm Original Size DIN A3	Scale 1:1	Free size tol.	Ref.
	All rights reserved Department EC PD - FR	Created by DOUGE	Inspected by BAGDIKIAN	Standardisation HOFFMANN
HARTING Electronics GmbH D-32339 Espelkamp	Title SEK male standard press-in short lever			Doc-Key / ECM-Nr. 100548513/UGD/001/A 50000065736
	Type TB	Number 09185XXX919	Rev. A	Page 1/2

Performance Level				Dimensions (mm)				
S4 : 0,76µm Au or equivalent PdNi	PL2 : 250 mating Cycles 4 day Gas Tests	PL3 : 50 mating Cycles No Gas Tests						
Nb of Contacts	Part Number	Part Number	Part Number	A	C	D	E	<b>F</b>
10	0918 510 5919	0918 510 6919	0918 510 7919	32,1	27,94	17,91	2,54 x 4 = 10,16	45,1
14	0918 514 5919	0918 514 6919	0918 514 7919	37,2	33,02	22,99	2,54 x 6 = 15,24	50,19
16	0918 516 5919	0918 516 6919	0918 516 7919	39,7	35,56	25,53	2,54 x 7 = 17,78	52,73
20	0918 520 5919	0918 520 6919	0918 520 7919	44,8	40,64	30,61	2,54 x 9 = 22,86	57,81
26	0918 526 5919	0918 526 6919	0918 526 7919	52,4	48,26	38,23	2,54 x 12 = 30,48	65,43
34	0918 534 5919	0918 534 6919	0918 534 7919	62,6	58,42	48,39	2,54 x 16 = 40,64	75,59
40	0918 540 5919	0918 540 6919	0918 540 7919	70,2	66,04	56,01	2,54 x 19 = 48,26	83,21
50	0918 550 5919	0918 550 6919	0918 550 7919	82,9	78,74	68,71	2,54 x 24 = 60,96	95,91
60	0918 560 5919	0918 560 6919	0918 560 7919	95,6	91,44	81,41	2,54 x 29 = 73,66	108,61
64	0918 564 5919	0918 564 6919	0918 564 7919	100,7	96,52	86,49	2,54 x 31 = 78,74	113,69

	All rights reserved	Created by DOUGE	Inspected by BAGDIKIAN	Standardisation HOFFMANN	Date 2013-09-05	State Final Release	
	Department EC PD - FR	Title SEK male standard press-in short lever				Doc-Key / ECM-Nr. 100548513/UGD/001/A 50000065736	
HARTING Electronics GmbH D-32339 Espelkamp		Type TB	Number 09185XXX919			Rev. A	Page 2/2