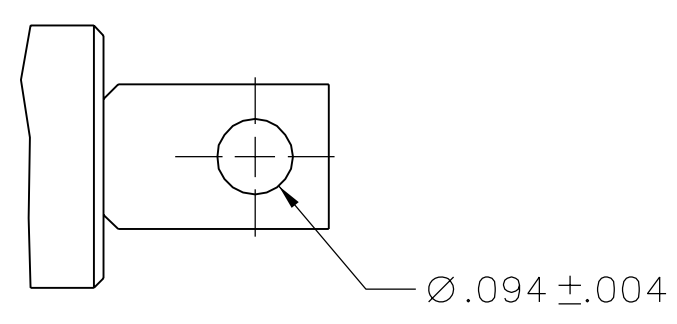
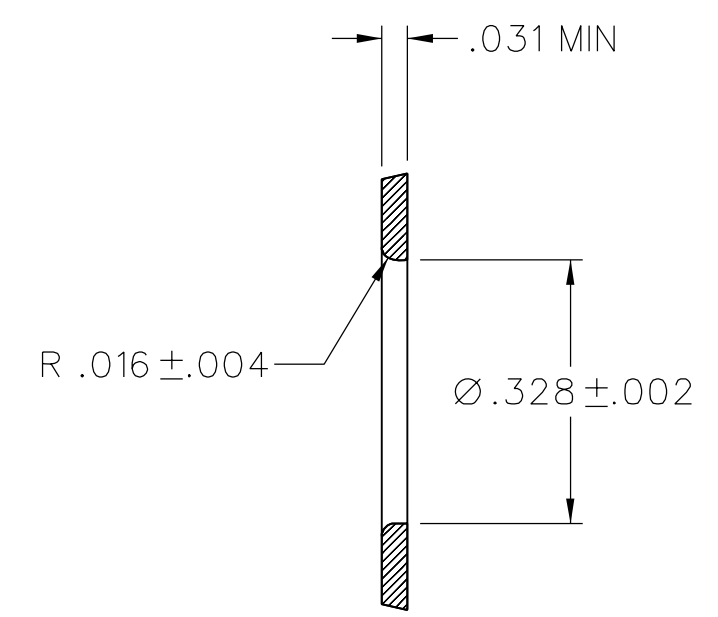
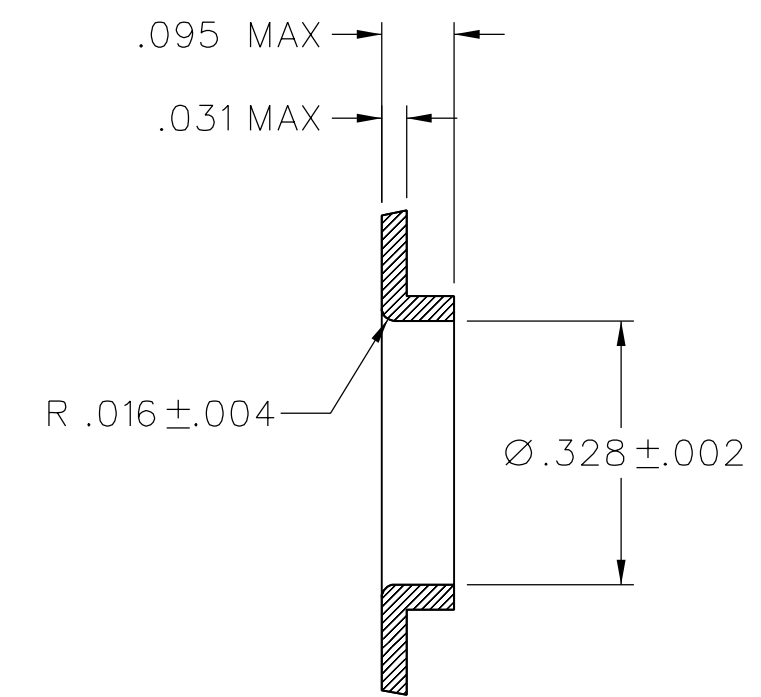
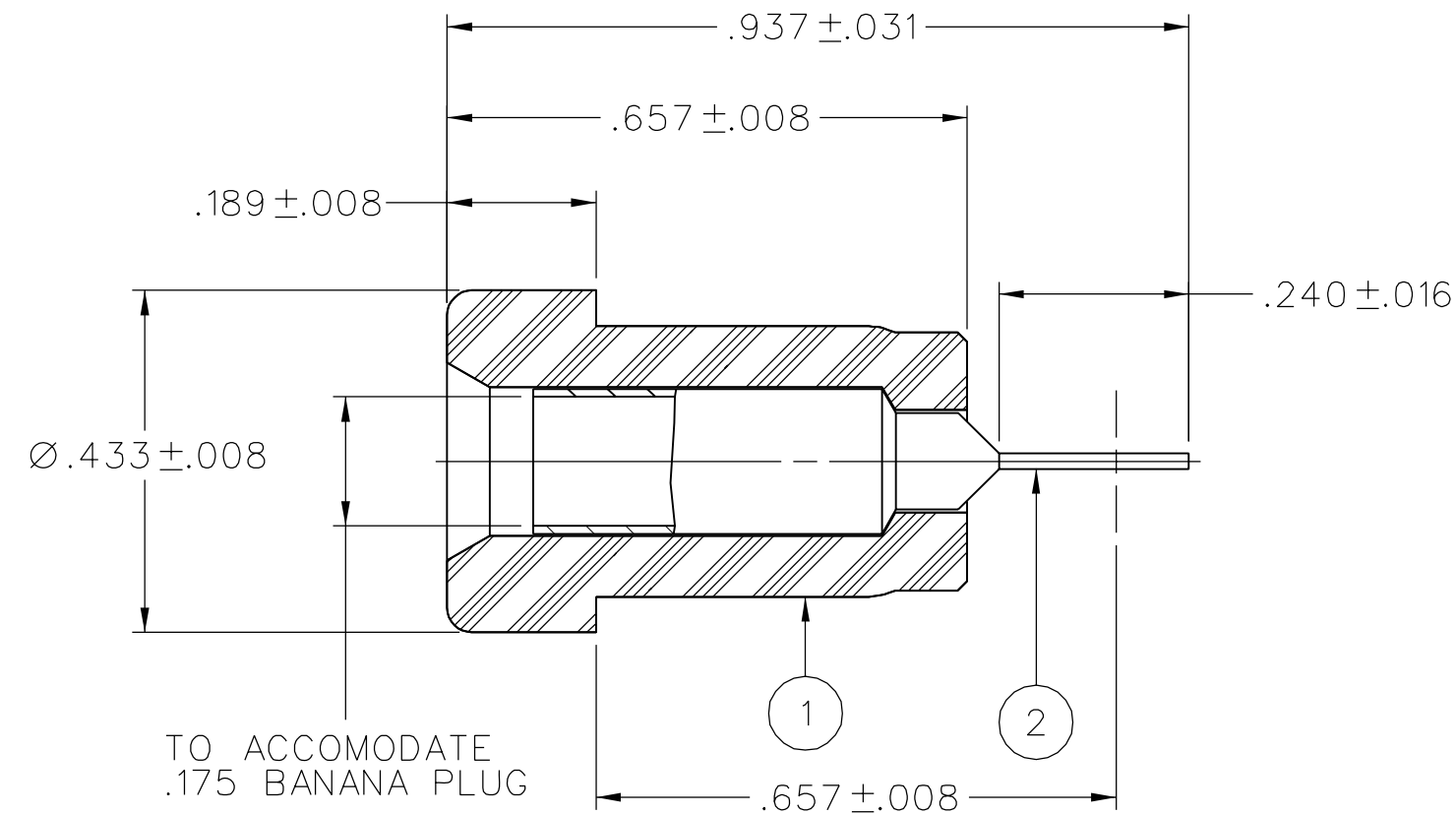


PART NUMBER	ITEM ① BODY	ITEM ② CONTACT
108-XXXX-801	NYLON	BRASS TIN PL .0001 MIN OVER NICKEL PL .00005 MIN
108-XXXX-802	NYLON	BRASS GOLD PL .00001 MIN OVER NICKEL PL .00003 MIN

CATALOG DESIGNATION FOR VARIOUS COLORED BODIES	
PART NUMBER	COLOR
108-2301-XXX	WHITE
108-2302-XXX	RED
108-2303-XXX	BLACK
108-2304-XXX	GREEN
108-2305-XXX	LIGHT BLUE
108-2306-XXX	ORANGE
108-2307-XXX	YELLOW
108-2308-XXX	BROWN
108-2309-XXX	LIGHT GREEN
108-2310-XXX	BLUE
108-2311-XXX	IVORY
108-2312-XXX	VIOLET
108-2313-XXX	GRAY

DRAWING NO. - 2301-801 C - 108-2320-820	
0	REVISIONS
ENGINEERING RELEASE	
14	08-22-89 EJ RFS GSH ECO 24322



MOUNTING HOLE DETAIL

NOTES:


- SPECIFICATIONS:
  - MECHANICAL:
    - TORQUE: 12 OZ IN MIN REQUIRED TO TURN CONTACT IN BODY
    - TORQUE: 12 OZ IN MIN REQUIRED TO TURN BODY IN PANEL
    - PUSHOUT FORCE: 30 LBS MIN REQUIRED TO REMOVE CONTACT FROM BODY
    - PUSHOUT FORCE: 50 LBS MIN REQUIRED TO REMOVE BODY FROM PANEL
  - ELECTRICAL:
    - DIELECTRIC WITHSTANDING VOLTAGE: 8500 VRMS MIN
    - CURRENT RATING: 10 AMPS MIN
    - CONTACT RESISTANCE: 10 MILLIOHMS MAX
    - CAPACITANCE: 2.6 pF NOMINAL
    - INSULATION RESISTANCE: 5000 MEGOHMS MIN
  - ENVIRONMENTAL:
    - LIFE EXPECTANCY: 5000 CYCLES MIN
    - TEMPERATURE RANGE: -55° TO +85° C
    - VIBRATION: 10 TO 55 Hz MIN
    - SHOCK: 100 g's MIN

CUSTOMER DRAWING

THIS DRAWING TO BE INTERPRETED  
PER ASME Y 14.5M - 1994

"μSTATION"

COMPANY CONFIDENTIAL

TOLERANCE UNLESS OTHERWISE SPECIFIED		DRAWN BY <i>EJ</i>	DATE 9-25-89	 <b>Cinch</b> CONNECTIVITY SOLUTIONS a bel group	Cinch Connectivity Solutions P.O. Box 1732 Waseca, MN 56093 1-800-247-8256	
DECIMALS	mm	CHECKED BY RRE	DATE 1-12-90		TITLE BANANA JACK RIB-LOC FOR .175 BANANA PLUG	
.XX	_____	APPROVED BY GSQ	DATE 1-12-90	SHEET 2 OF 2		
.XXX	_____	RELEASE DATE 1-12-90	SCALE 4:1	DRAWING NO. - 2301-801 C - 108-2320-820		
MATL	_____	U/M	INCH			
FINISH	_____					