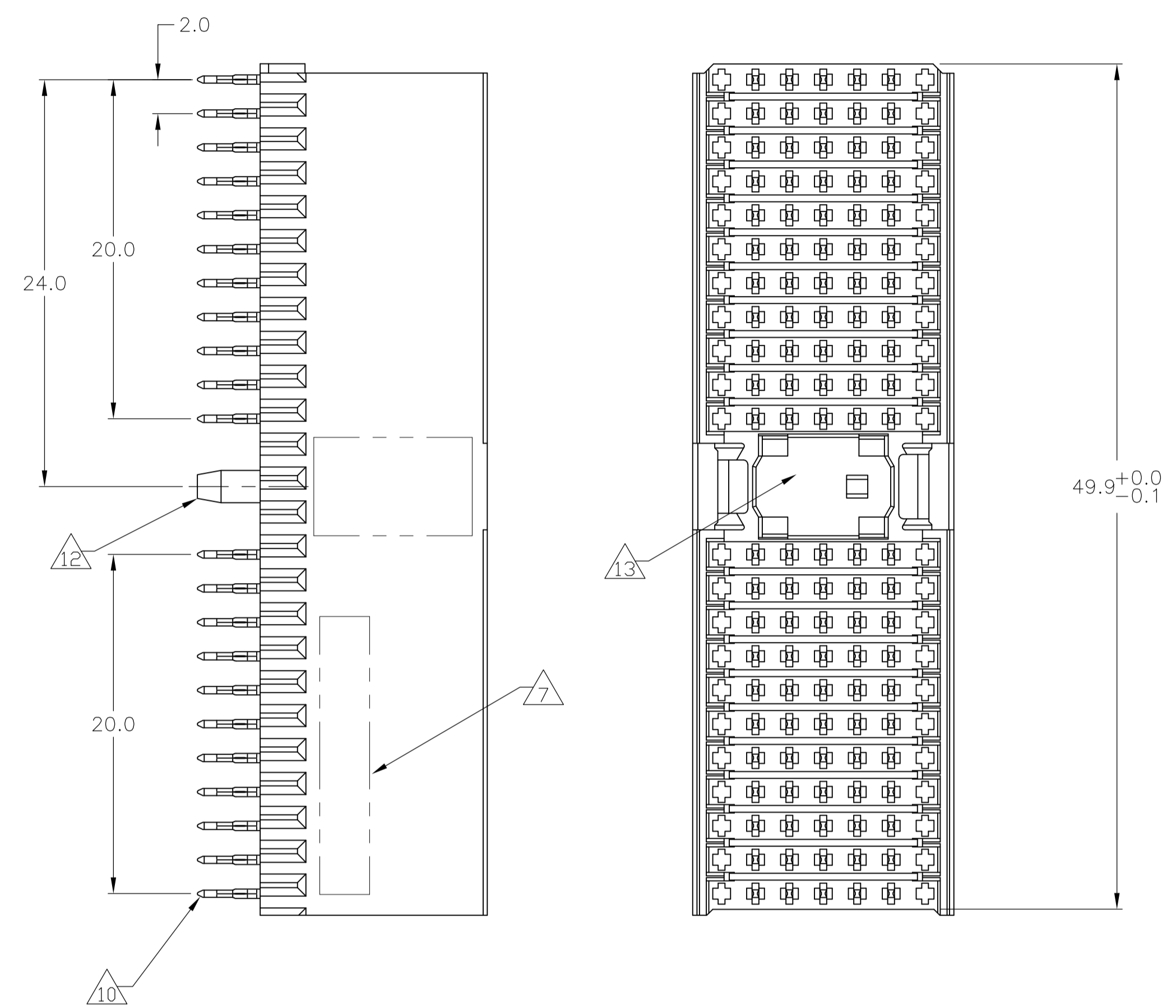
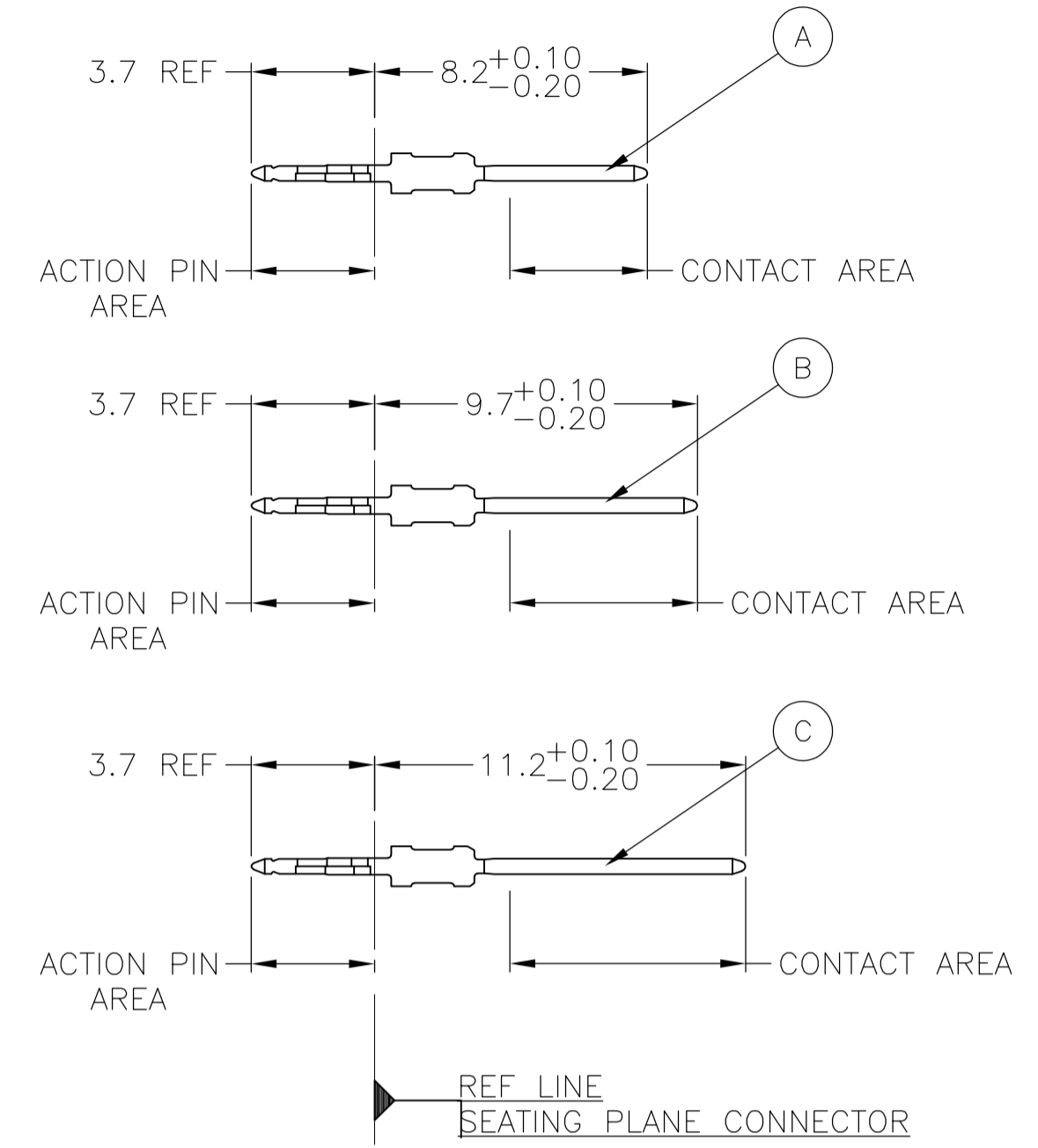


| LOC | | DIST | | REVISIONS | | | |
|-----|-----|---------------------------|---------|-----------|------|--|--|
| P | LTR | DESCRIPTION | DATE | DMN | APVD | | |
| H1 | | REVISED PER ECO-09-020689 | 31AUG09 | KK | AEG | | |
| J | | ECR-10-018652 | 10SEP10 | SW | MQW | | |
| K | | ECR-12-010652 | 6NOV12 | SY | AC | | |

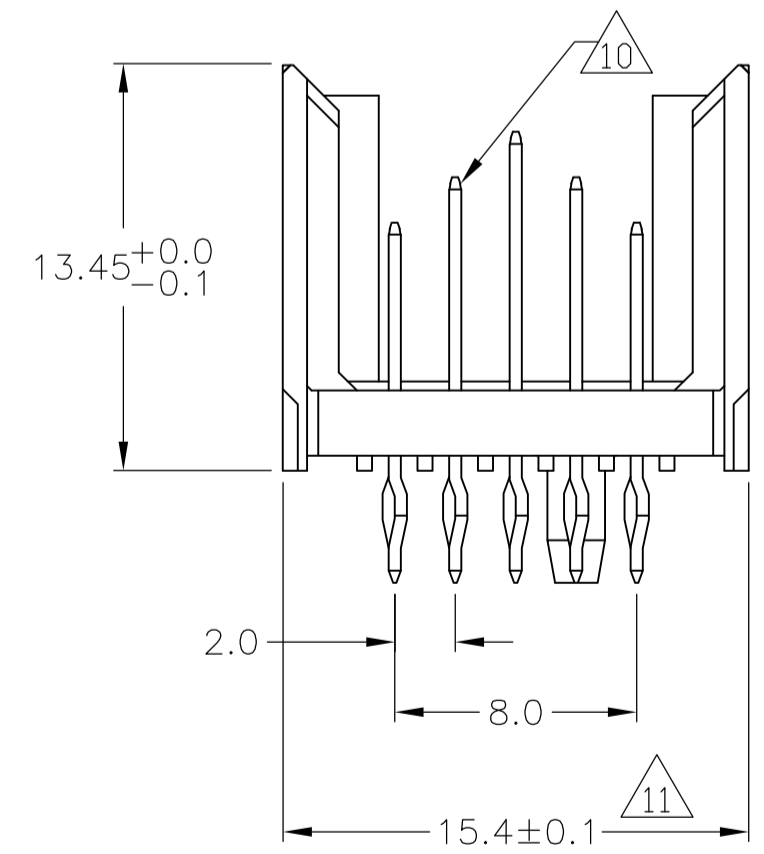
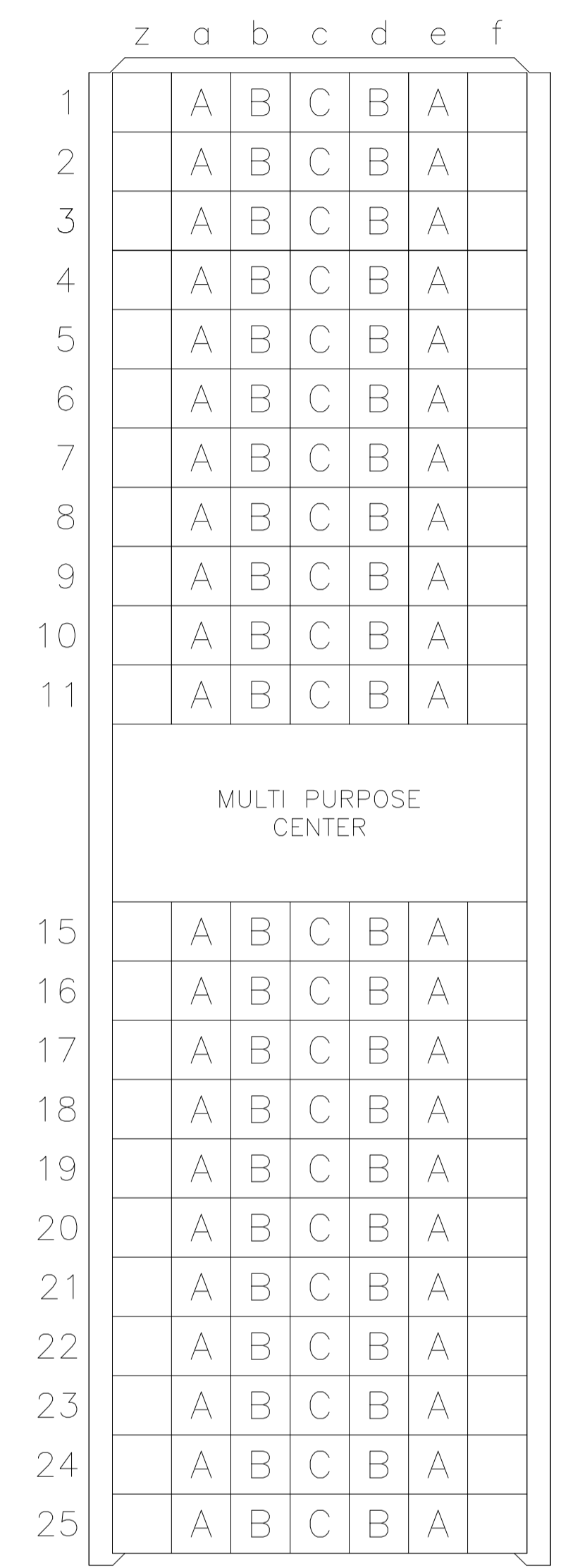
CONNECTOR ASSEMBLY EXAMPLARY LOADED



CONTACT DIMENSIONS
SCALE 5:1

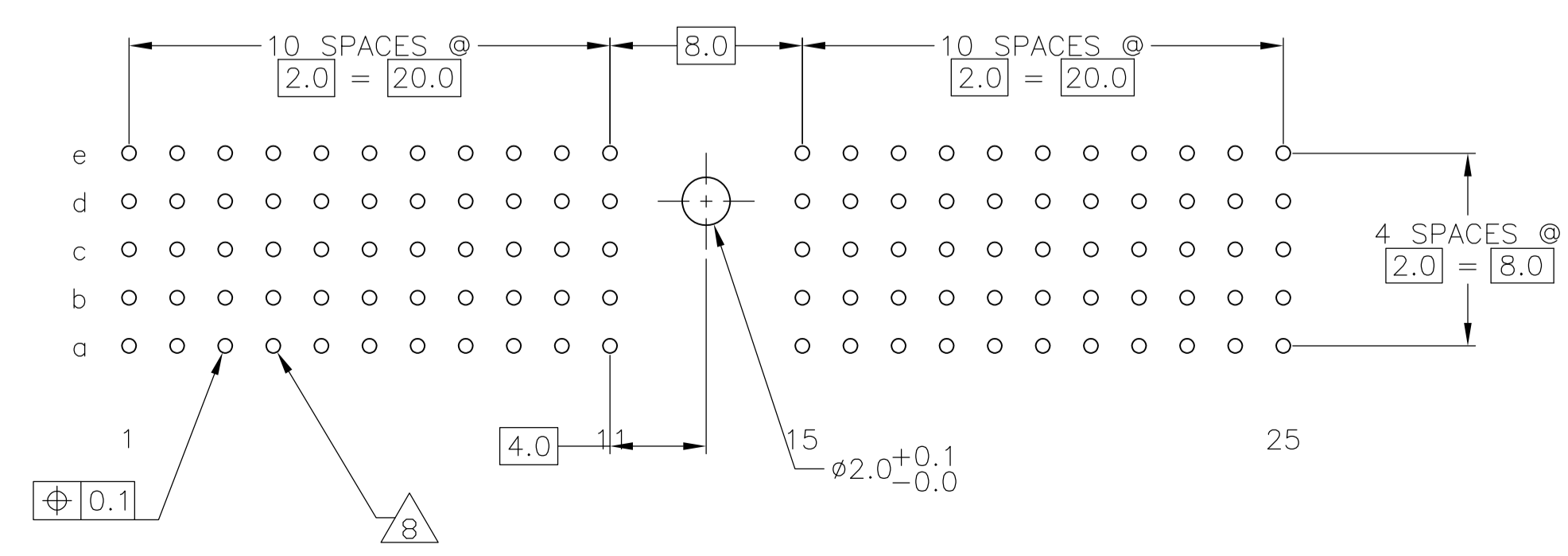


CONTACT LAYOUT



RECOMMENDED PCB-HOLE LAYOUT
COMPONENT SIDE SHOWN

PLATED THRU HOLES PARAMETERS
REFERENCE APPLICATION SPECIFICATION



| | | | |
|--------|---|----|-------------|
| 2 | 6 | 14 | 1-106413-9 |
| 2 | 5 | 14 | 106413-9 |
| 2 | 4 | 14 | 106413-4 |
| 2 | 3 | 14 | 106413-1 |
| FINISH | | | PART NUMBER |

THIS DRAWING IS A CONTROLLED DOCUMENT.

| | | | | |
|----------------|--|------------------------|-------------------|--|
| DIMENSIONS: mm | TOLERANCES UNLESS OTHERWISE SPECIFIED: | DIN B CARBO 130EC05 | 130EC05 | Tyco Electronics Corporation Harrisburg, Pa 17105-3608 |
| 0-PLC ± | 1-PLC ± 0.1 | APVD G SKIPPER 130EC05 | NAME | MALE ASSEMBLY, Z-PACK 2mm HM, TYPE A |
| 2-PLC ± | 3-PLC ± | PRODUCT SPEC | 108-19082 | RESTRICTED TO |
| 4-PLC ± | ANGLES ± | APPLICATION SPEC | 114-19029 | SIZE CAGE CODE DRAWING NO |
| | | WEIGHT | A1 00779 C=106413 | SCALE 4:1 SHEET 1 OF 2 REV K |
| | SEE TABLE | CUSTOMER DRAWING | | |

- 1 MATERIAL:
CONTACT: PHOSPHOR BRONZE.
HOUSING: GLASS-FILLED POLYESTER.
- 2 GENERAL PLATING SPECIFICATION: UNDERPLATING
(ENTIRE CONTACT): 1.27µm MIN NICKEL AND ACTION
PIN: 0.5µm MIN TIN\LEAD.
FOR PLATING OF MATING SURFACES SEE APPLICABLE
SPECIFICATION REFERENCE FOR EACH DASH NUMBER.
- 3 CONFORMS TO ALL TESTING ACCORDING TO IEC 61076-4-101
PERFORMANCE LEVEL 2.
- 4 CONFORMS TO ALL TESTING ACCORDING TO IEC 61076-4-101
PERFORMANCE LEVEL 1.
- 5 CONNECTOR TESTED AND QUALIFIED AGAINST TELCORDIA GR-1217-CORE QUALITY LEVEL 3,
CENTRAL OFFICE APPLICATIONS.
- 6 CONNECTOR TESTED AND QUALIFIED AGAINST TELCORDIA GR-1217-CORE QUALITY LEVEL 3,
UNCONTROLLED ENVIROMENT APPLICATIONS.
- 7 CONNECTOR MARKED WITH PART NUMBER AND DATE CODE.
ADDITIONAL CHARACTERS OR MARKINGS, AS WELL AS THE LOCATION OF THE MARKINGS,
MAY BE ADDED FOR TRACEABILITY BASED UPON MANUFACTURERS DISCRETION.
- 8 PLATED-THROUGH HOLES AT 2x2mm SQUARE GRID
PATTERN DEFINED BY CONTACT LAYOUT.
- 9 FOR ACTUAL PIN LOADING SEE "CONTACT LAYOUT".
- 10 FOR ACTUAL PIN DIMENSIONS SEE "CONTACT DIMENSIONS".
- 11 TO BE MEASURED AT BOTTOM OF SHROUD.
- 12 POLARIZATION FEATURE.
- 13 AREA RESERVED FOR KEYING PART (BASIC P/N 100525).
- 14 CONNECTOR LUBRICATED WITH BELCORE APPROVED LUBRICANT,
TECHNICAL REFERENCE: TR-NWT-001217 ISSUE 1, SEP 1992.
- 15 OBSOLETE PARTS: OBSOLETE CIS STREAMLINING PER D.RENAUD/D.SINISI

| | | | | |
|--|--|------------------------------|---|----------------------|
| THIS DRAWING IS A CONTROLLED DOCUMENT. | | DIN E CARBO 130EC05 | Tyco Electronics Corporation Harrisburg, Pa 17105-3608 | |
| DIMENSIONS: mm | | CHK G.SKIPPER 130EC05 | NAME MALE ASSEMBLY, Z-PACK 2mm HM, TYPE A | |
| TOLERANCES UNLESS OTHERWISE SPECIFIED: 0-PLC ± 1-PLC ±0.1 2-PLC ± 3-PLC ± 4-PLC ± ANGLES ± | | APVD G.SKIPPER 130EC05 | PRODUCT SPEC 108-19082 | |
| MATERIAL SEE SHEET 1 | | FINISH SEE SHEET 1 | APPLICATION SPEC 114-19029 | RESTRICTED TO - |
| WEIGHT - | | SIZE A1 | CAGE CODE 00779 | DRAWING NO 106413 |
| CUSTOMER DRAWING | | SCALE 4:1 | SHEET 2 | OF 2 |
| | | | REV K | |