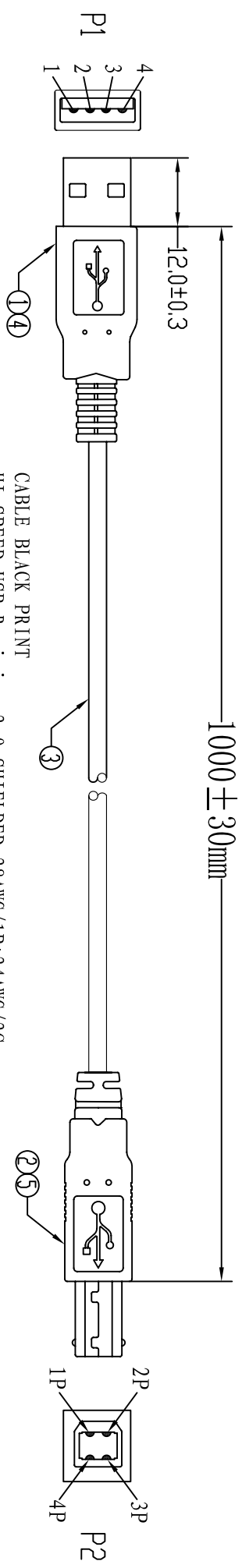
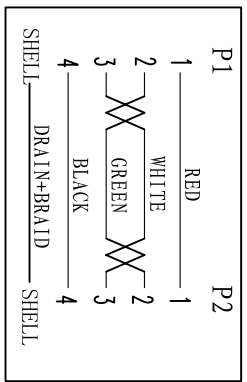


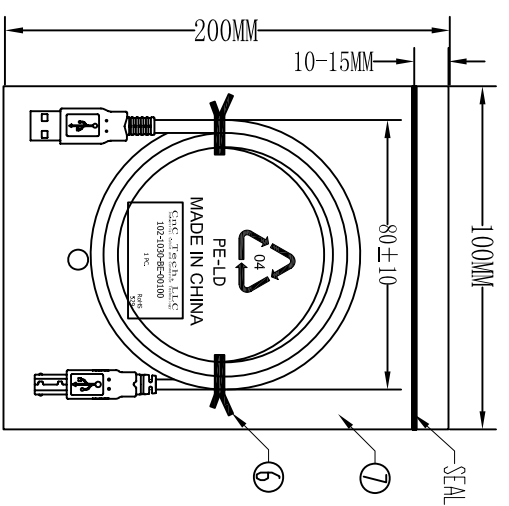
UNIT:mm



PIN ASSIGNMENT:



Electrical test:
 1. 100% short, open, miswire test
 2. Conduct resistance: 2 Ohm(max)
 3. Insulation resistance: 10Mohm(min)
 4. dielectric test: DC 300V



1PCS/PE BAG

⑧	PE BAG	1/10	CLEAR SIZE: 230*300*40.05mm PRINT BLACK "MADE IN CHINA"+ "10PCS"
⑦	PE BAG	1	CLEAR SIZE: 100*200*40.05mm PRINT BLACK "MADE IN CHINA"+ "1PC"
⑥	TIE	2	WHITE L=80mm
⑤	OUT JACKET	6g	BEIGE (IV-29#) PVC-40P (MOULD NO: NM-65)
④	OUT JACKET	6g	BEIGE (IV-29#) PVC-40P (MOULD NO: NM-40)
③	CABLE	1	BEIGE (IV-29#) USB2. 0 UL2725 28#/1P+26#/2C+AEB OD: 4. 7mm L=1000+10/-0mm
②	CONN	1set	USB2. 0 B MALE SHELL: NICKEL, PIN G/F 3PCS TYPE INSULATOR COLOR: WHITE
①	CONN	1set	USB2. 0 A MALE SHELL: NICKEL, PIN G/F 4PCS TYPE INSULATOR COLOR: WHITE
N/L	NAME	Q' TV	SPECIFICATION

Cnc Tech, LLC			
Industrial Cable and Connector Technology			
DRAWN	ZHONGHS	DRAWING NO	
CHECKED		CUSTOMER	
APPROVAL		ITEM NO.	102-1030-BE-00100
DECIDED		DATE	2012-02-14
VERSIONS/EDITED	A/0	PROJECTION	

A

B

C

D

4

3

2

1

A

B

C

D

4

3

2

1