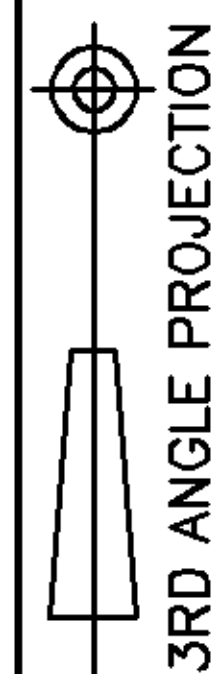


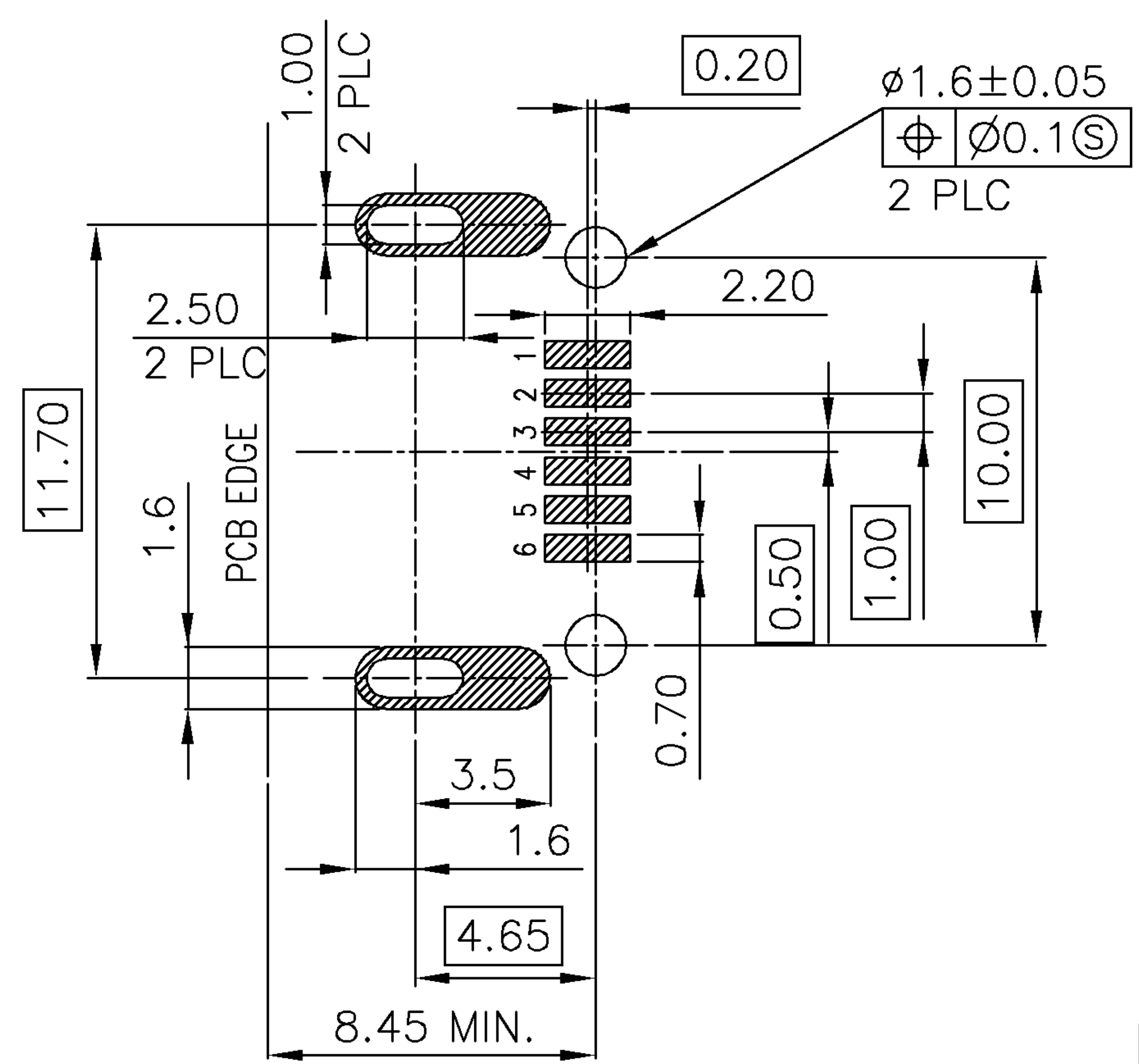
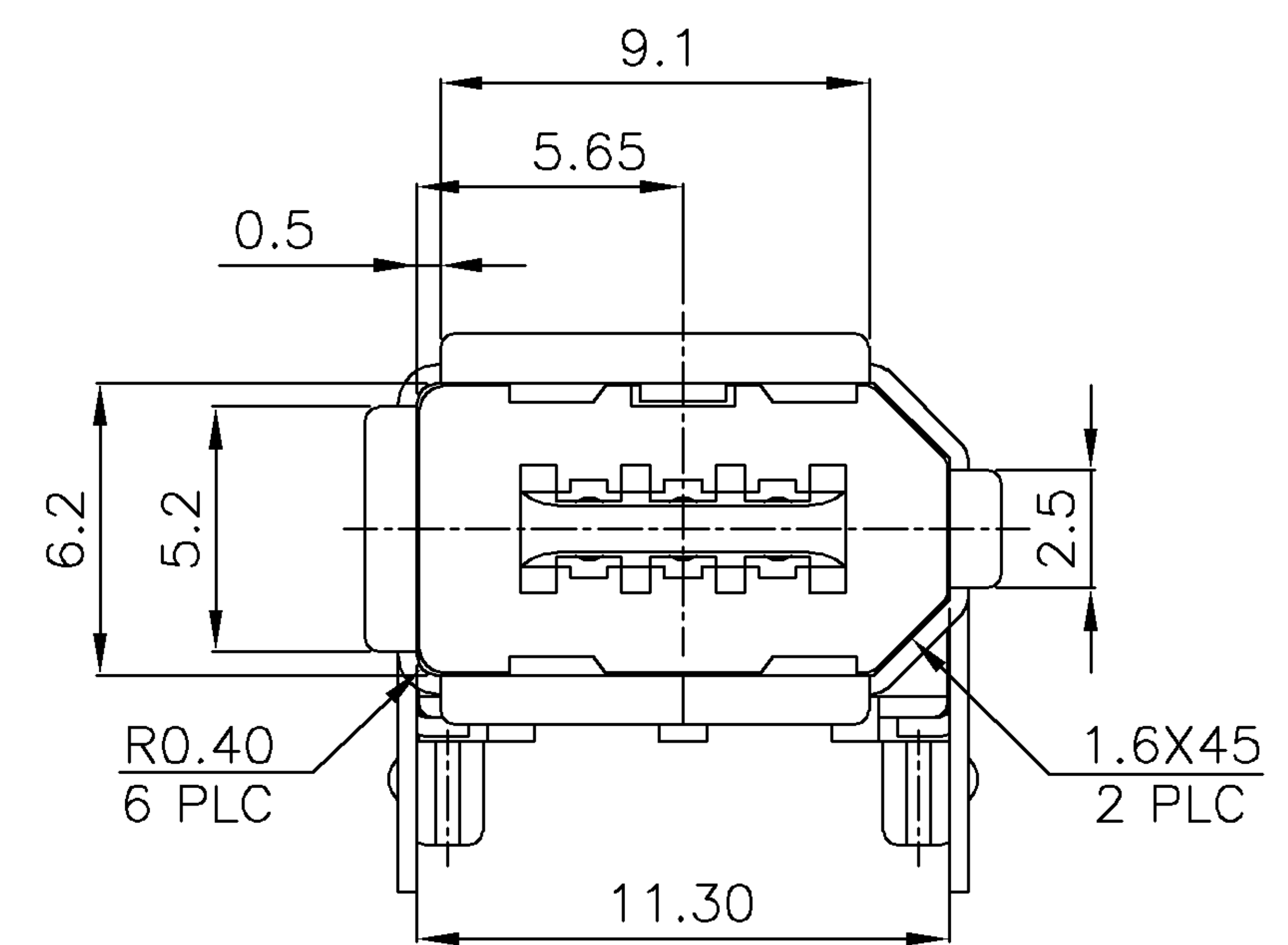
NUMBER  
C-1734368



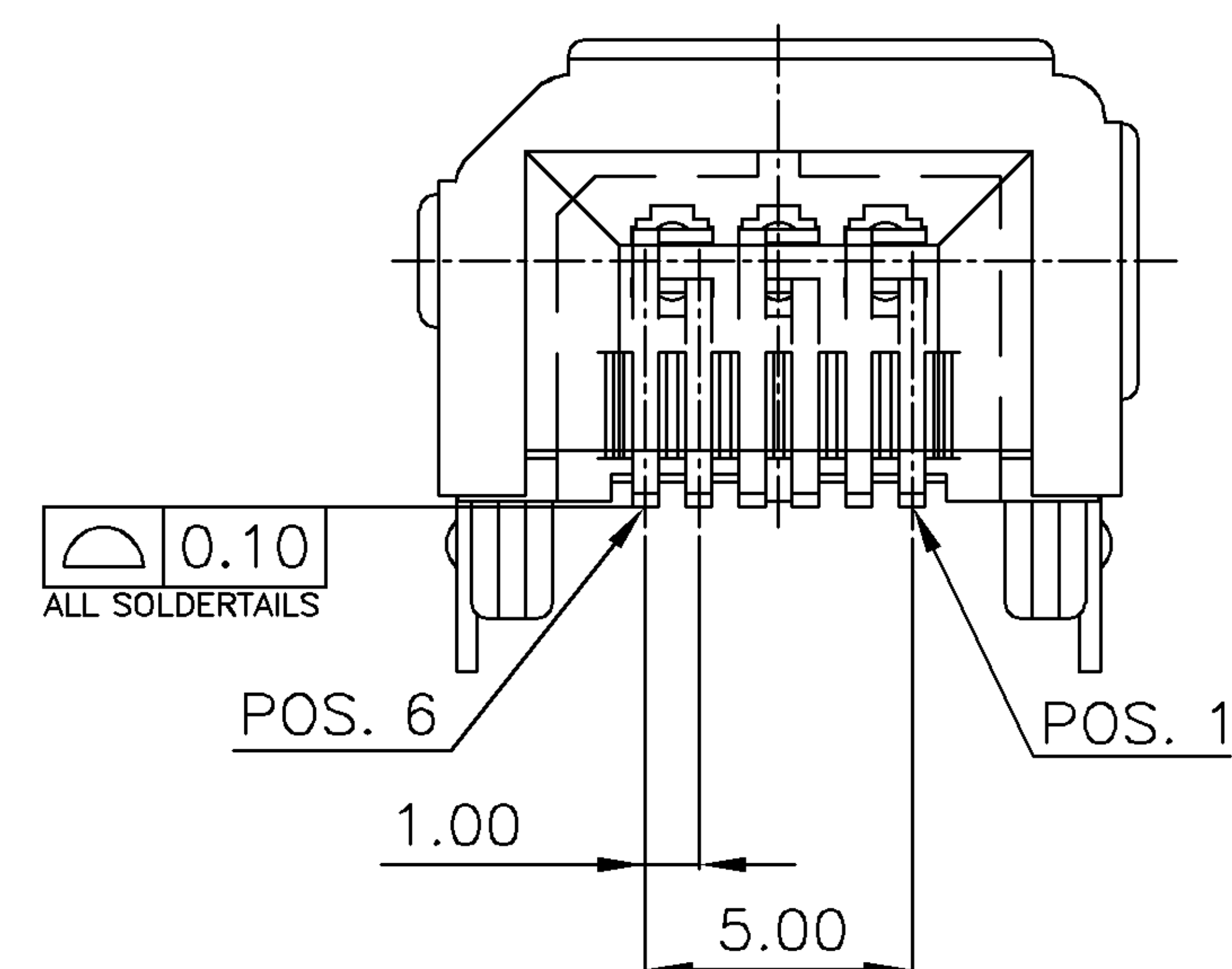
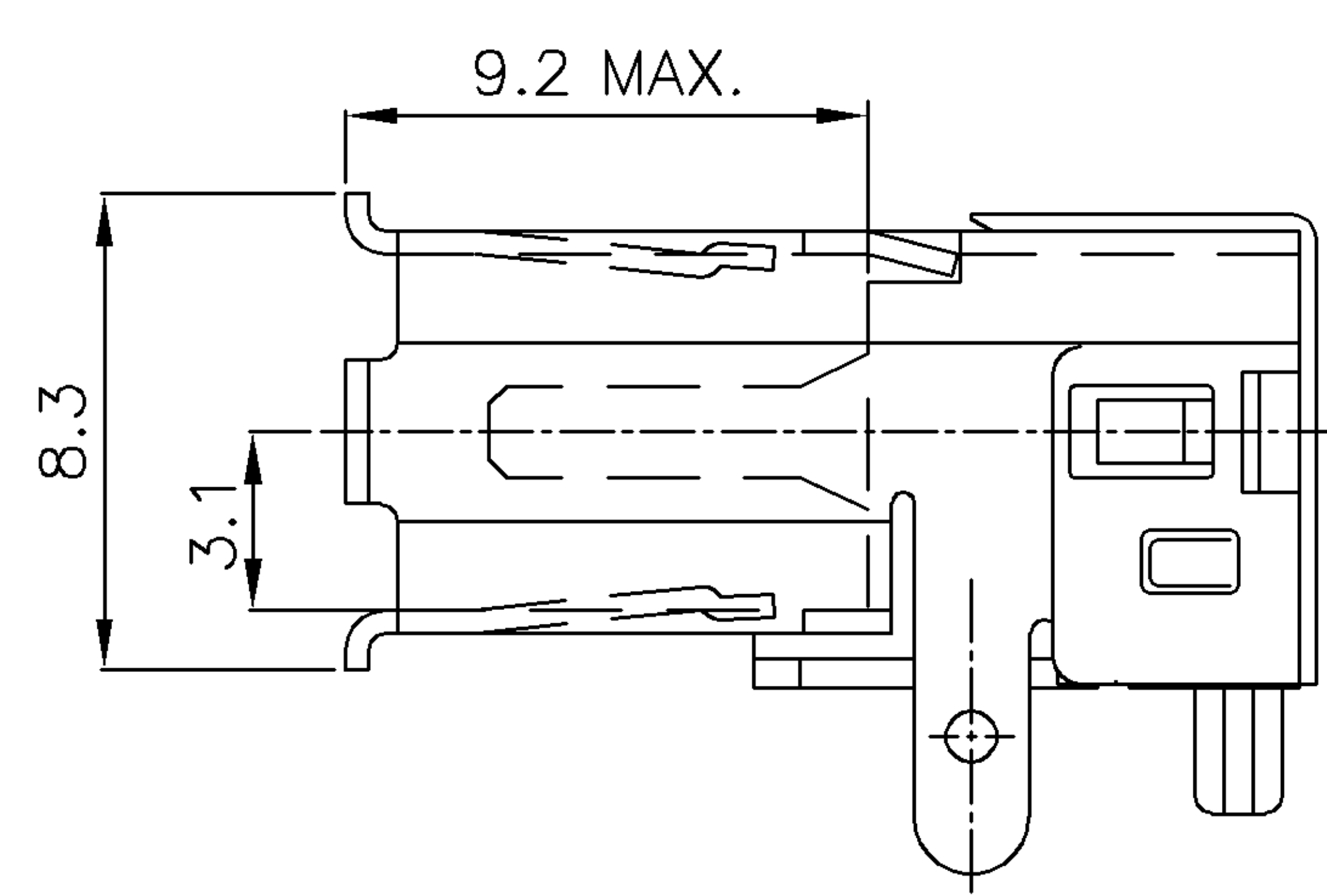
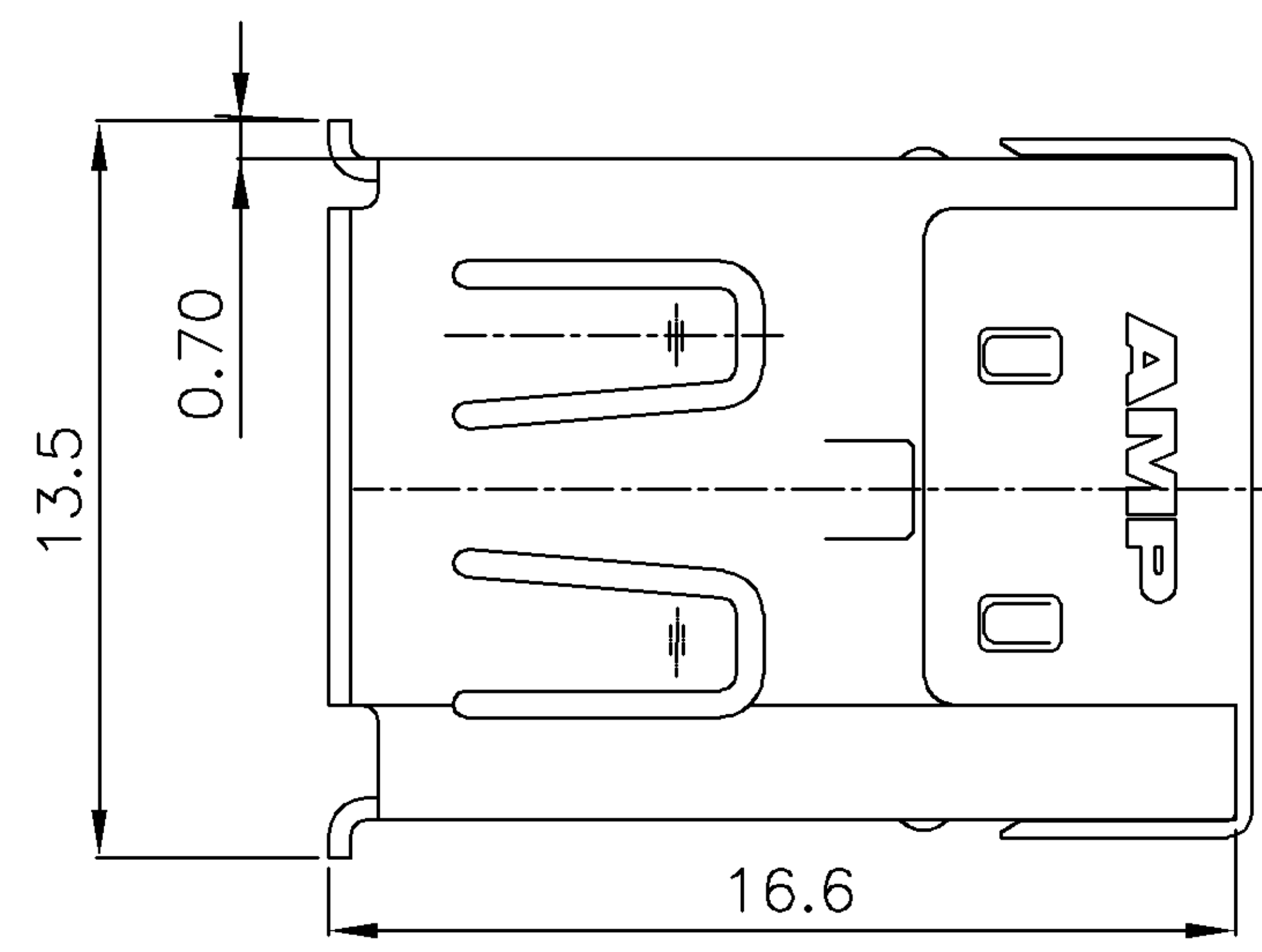
METRIC

THIS INFORMATION IS CONFIDENTIAL AND IS DISCLOSED TO YOU ON CONDITION THAT NO FURTHER DISCLOSURE IS MADE BY YOU TO OTHER THAN AMP PERSONNEL WITHOUT WRITTEN AUTHORIZATION FROM AMP (TAIWAN) LTD. DIMENSIONS IN MILLIMETERS. DO NOT SCALE PRINT.

PRINT DIST  
DW



RECOMMENDED PCB LAYOUT  
PCB THICKNESS=1.57mm



NOTES:

- MATERIAL:  
HOUSING: THERMOPLASTIC HIGH TEMP., GLASS FIBER FILLED.  
UL 94V-0 RATED, COLOR: SEE TABLE.  
CONTACT: BRASS, THICKNESS=0.25mm.  
SHELL: PHOSPHOR BRONZE, THICKNESS=0.40mm.  
BACK SHELL: STEEL, THICKNESS=0.30mm.
- FINISH :  
CONTACT: 30 μ" MIN. GOLD PLATING ON CONTACT AREA,  
120 μ" MIN. TIN-Cu PLATING ON SOLDER TAILS,  
50 μ" MIN. NICKEL UNDERPLATING OVERALL.  
SHELL: 100 μ" MIN. NICKEL PLATING OVER 100 μ" MIN. Cu UNDERPLATED.  
BACK SHELL: 100 μ" MIN. NICKEL PLATING OVER 100 μ" MIN. Cu UNDERPLATED.
- REFLOW SOLDER CAPABLE TO 260°C PER TYCO SPEC 109-201, CONDITION B.

o	FIRST RELEASED		OH	27MAY
			AW	2005
LTR	REVISION RECORD	ECN	DWN	DATE
			CHK	

TOLERANCES UNLESS OTHERWISE SPECIFIED: 0 PLC ± 0.50 1 PLC ± 0.38 2 PLC ± 0.25 3 PLC ± 0.05 ANGLES ± 3'	DWN O. HU 25-MAY-2005
MATERIAL SEE NOTE	CHK S. HOU 25-MAY-2005
FINISH SEE NOTE	APVD W.J. KE 25-MAY-2005
	PRODUCT SPEC 108-57559
	QUALIFICATION TEST REPORT 501-57651
	WEIGHT 2.25g

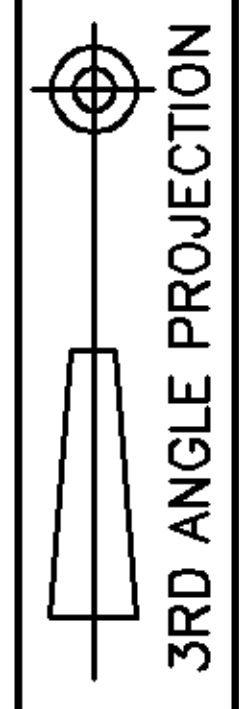
TYCO Electronics		TYCO HOLDINGS (BERMUDA) VII LTD. TAIWAN BRANCH	
NAME SOCKET ASSEMBLY, RIGHT ANGLE 6 POS. FLAT SMT, IEEE 1394			
LOC	SIZE	DRAWING NO	REV
DW	A <sub>3</sub>	C-1734368	O
SCALE		SHEET	
--		1 OF 3	

REEL	NATURAL	1-1734368-2
	BLACK	1-1734368-1
TUBE	NATURAL	1734368-2
	BLACK	1734368-1
PACKAGE	HSG. COLOR	PART NUMBER

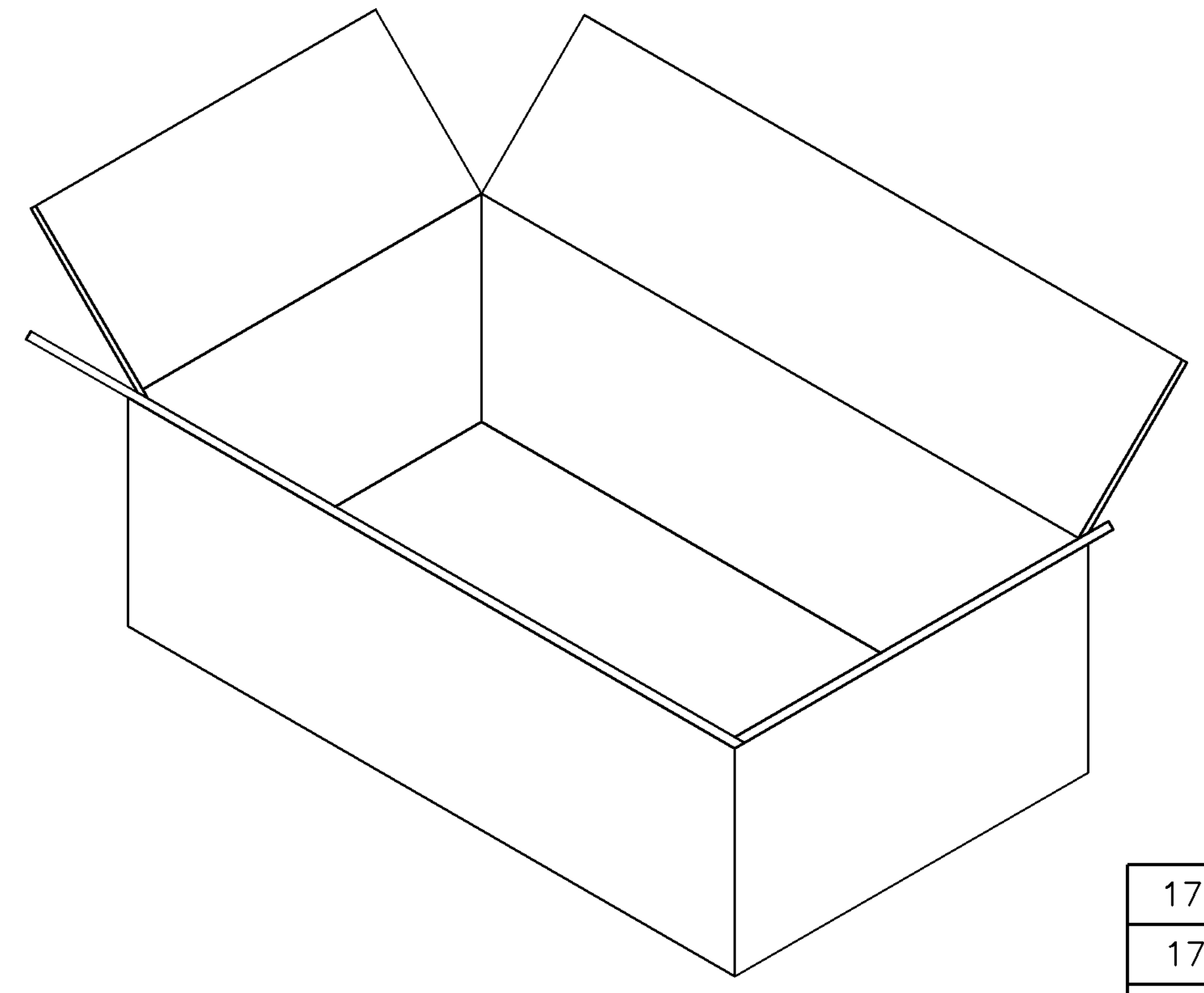
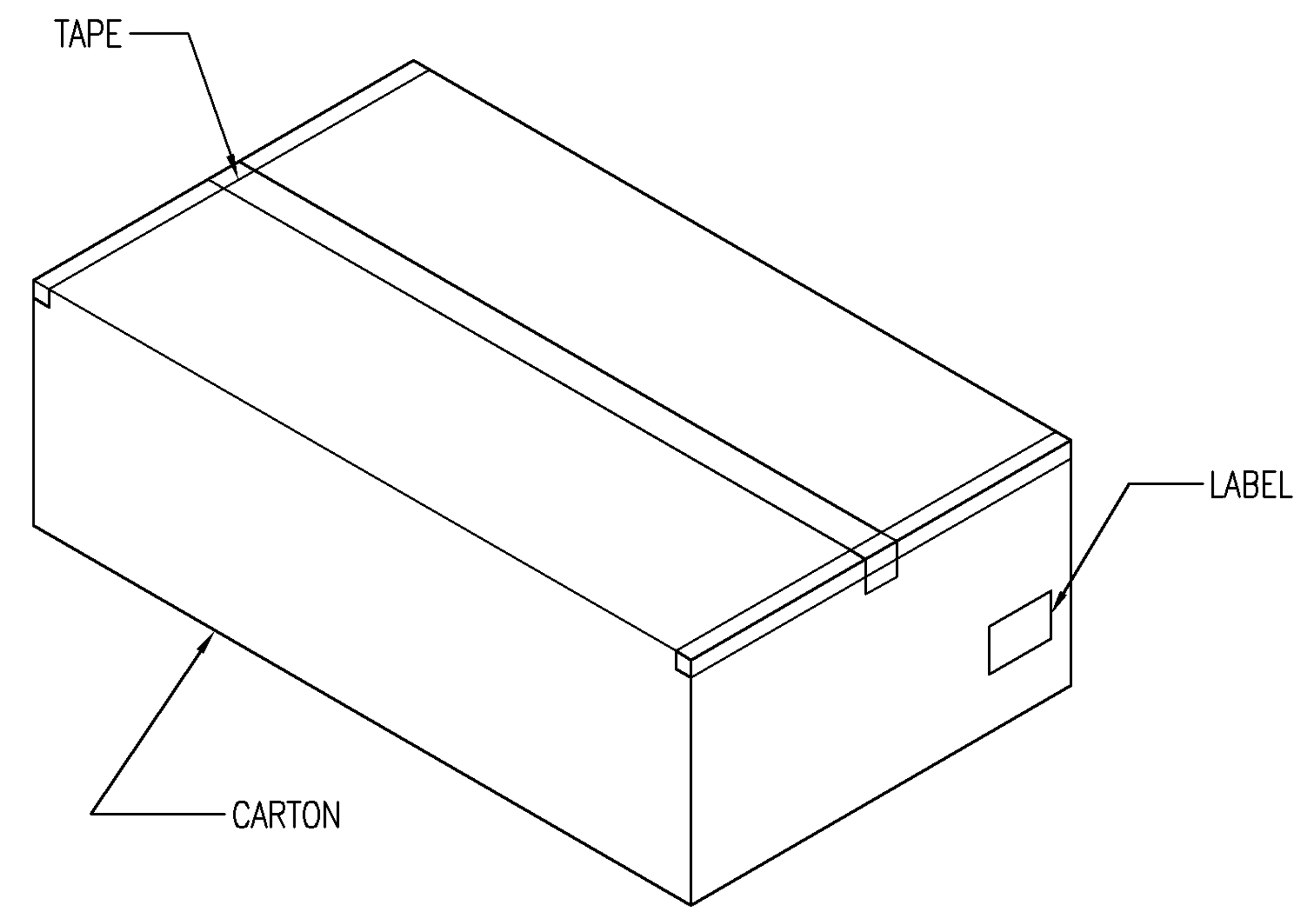
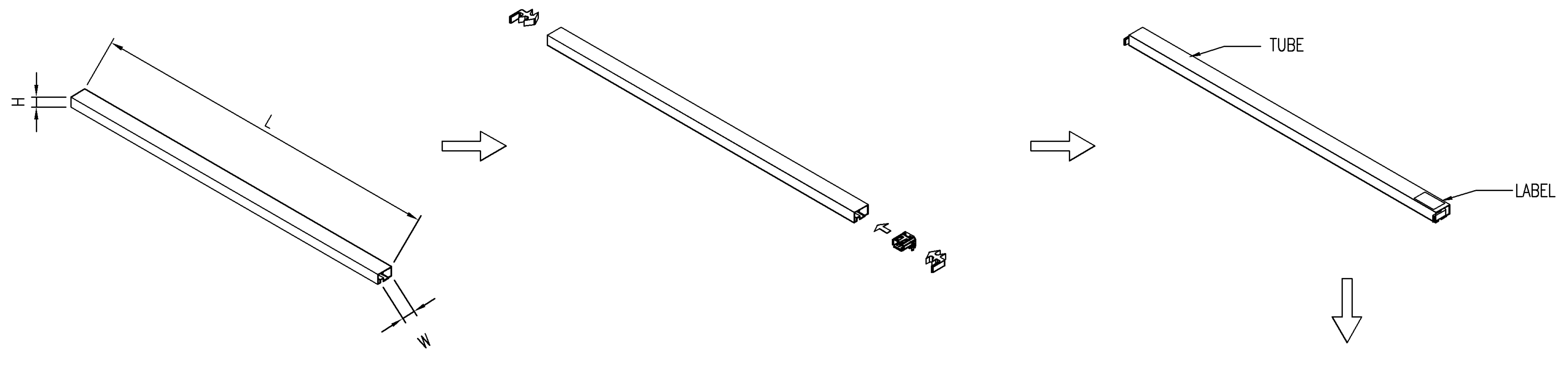
THIS INFORMATION IS CONFIDENTIAL AND IS DISCLOSED TO YOU ON CONDITION THAT NO FURTHER DISCLOSURE IS MADE BY YOU TO OTHER THAN AMP PERSONNEL WITHOUT WRITTEN AUTHORIZATION FROM AMP (TAIWAN) LTD. DIMENSIONS IN MILLIMETERS. DO NOT SCALE PRINT.

PRINT DIST  
DW

METRIC



NUMBER  
C-1734368



- NOTE:
- MATERIAL:  
TUBE : PS.  
SHIPPING CARTON : CORRUGATED FIBERBOARD.
  - DIMENSION:  
TUBE : L=400, W=19.9, H=16.5mm.  
SHIPPING CARTON : L=419.1, W=162.4, H=162.4mm.
  - QUANTITY:  
PRIMARY PACKING : 29 PCS/TUBES  
SECONDARY PACKING : 40 TUBES/CARTON(1160PCS).
  - WEIGHT:  
NET WEIGHT : 2.6kg.  
GROSS WEIGHT : 3.8kg.

1734368-2  
1734368-1  
PART NUMBER

TOLERANCES UNLESS OTHERWISE SPECIFIED: 0 PLC ± 1 PLC ± 2 PLC ± 3 PLC ± ANGLES ±	DWN	O. HU	<b>tyco</b> TYCO HOLDINGS (BERMUDA) <b>Electronics</b> VII LTD. TAIWAN BRANCH			
		25-MAY-2005				
MATERIAL  SEE SHEET 1.	CHK	S. HOU	NAME  SOCKET ASSEMBLY, RIGHT ANGLE 6 POS. FLAT SMT, IEEE 1394			
		25-MAY-2005				
FINISH  SEE SHEET 1.	APVD	W.J. KE	LOC	SIZE	DRAWING NO	REV
		25-MAY-2005	DW	A <sub>3</sub>	C-1734368	O
	QUALIFICATION TEST REPORT		SCALE	SHEET		
	WEIGHT		--	2 OF 3		

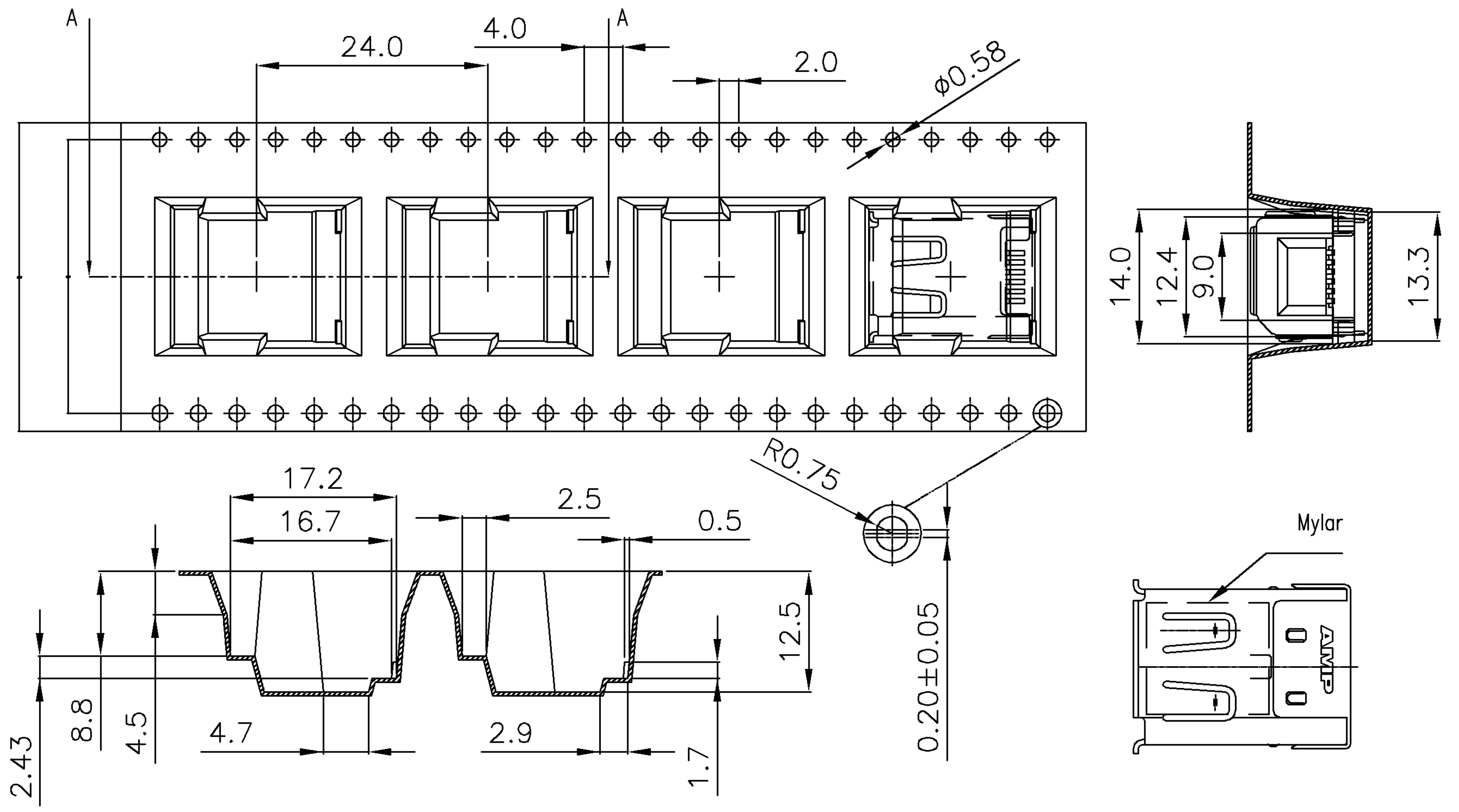
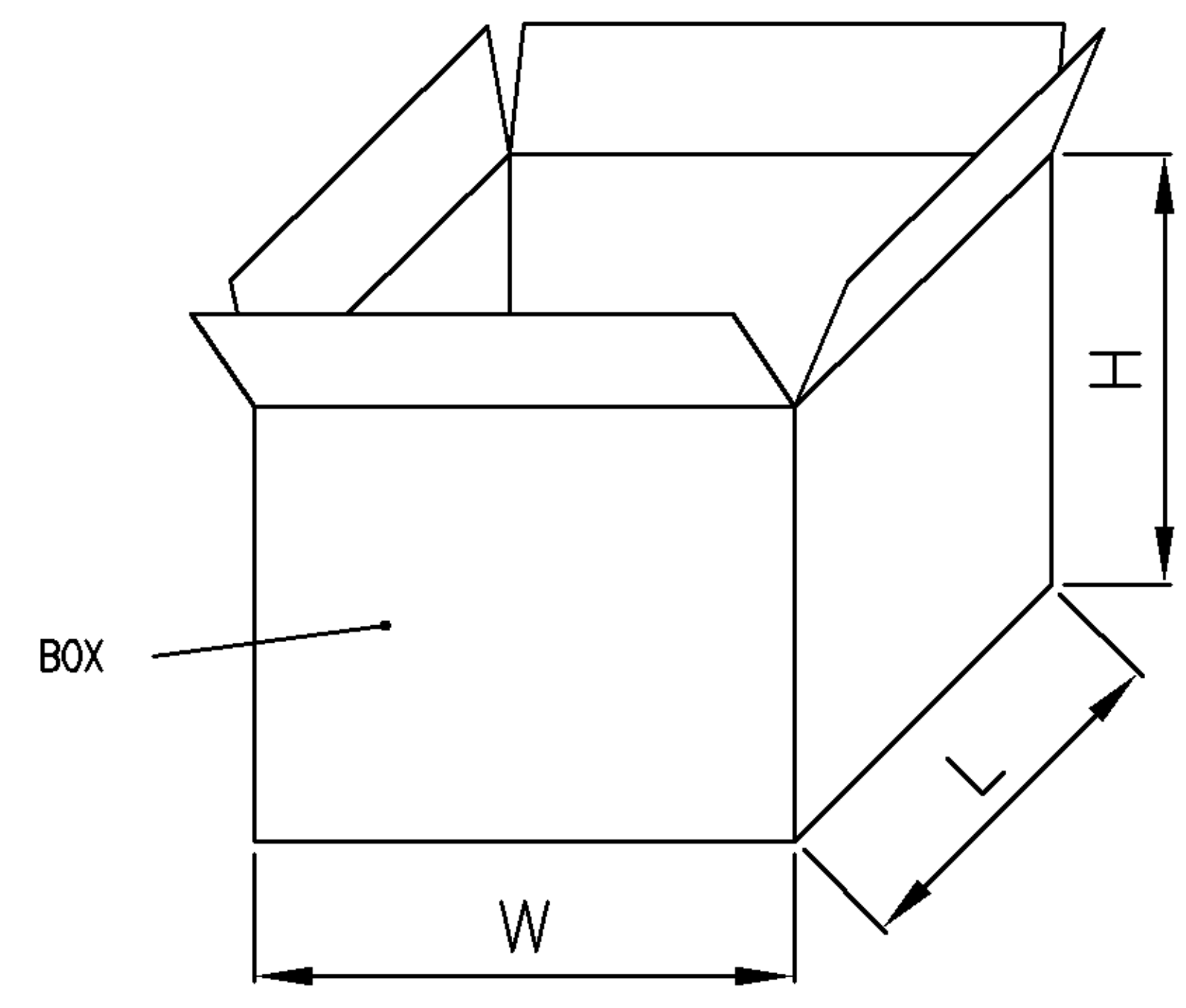
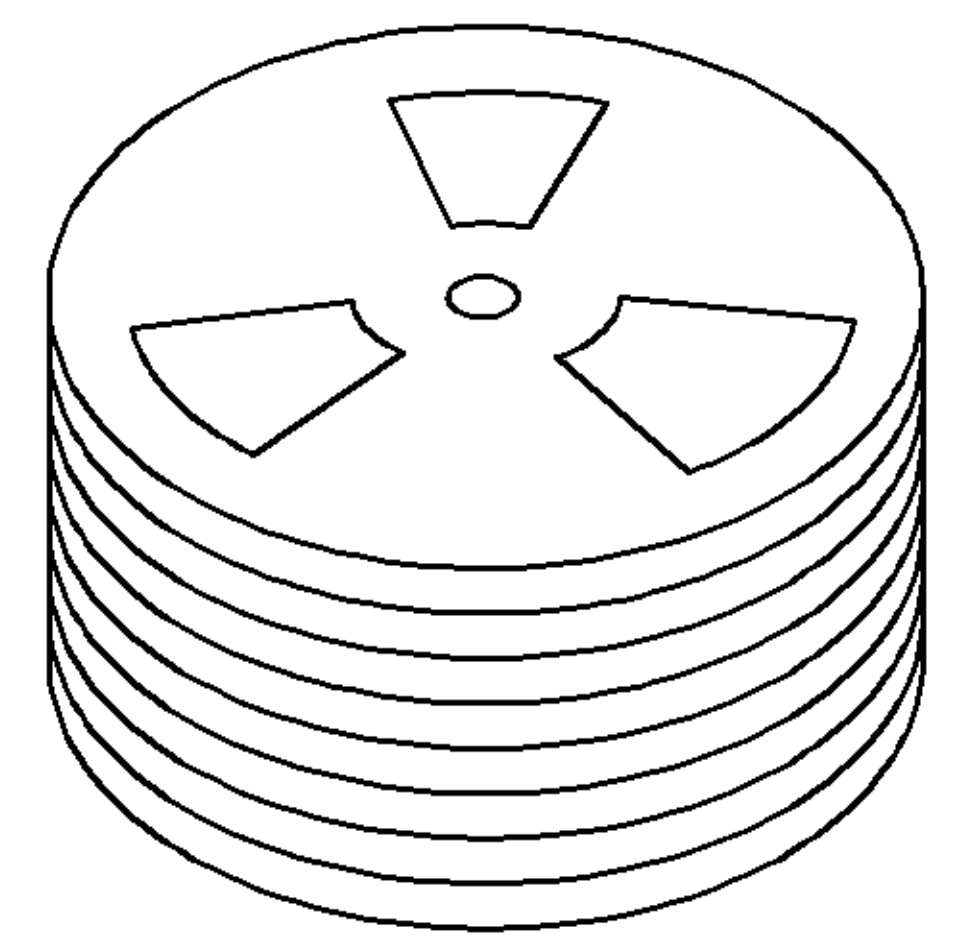
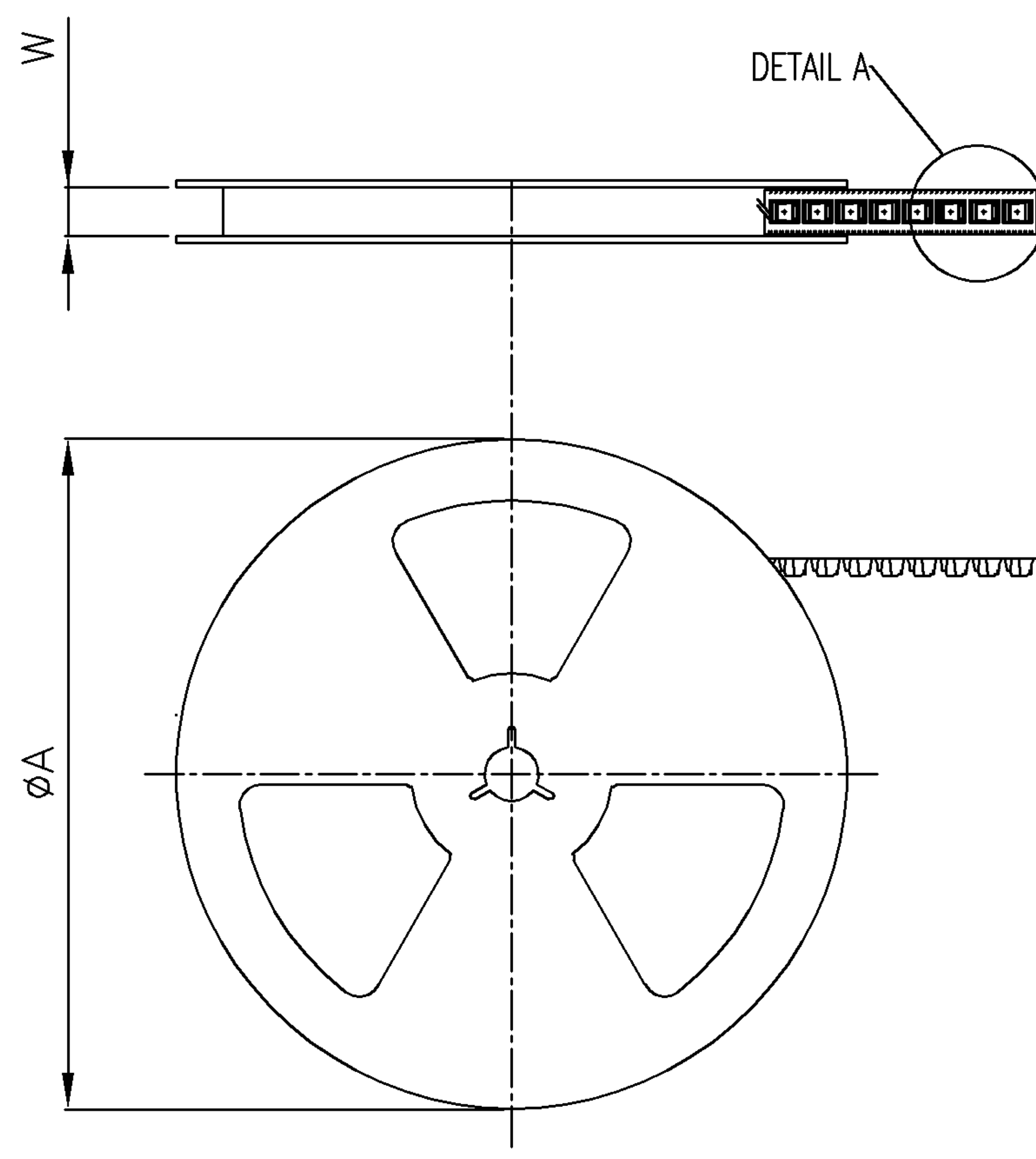
SEE SHEET 1.	ECN	DWN	CHK	DATE
LTR	REVISION RECORD			

THIS INFORMATION IS CONFIDENTIAL AND IS DISCLOSED TO YOU ON CONDITION THAT NO FURTHER DISCLOSURE IS MADE BY YOU TO OTHER THAN AMP PERSONNEL WITHOUT WRITTEN AUTHORIZATION FROM AMP (TAIWAN) LTD. DIMENSIONS IN MILLIMETERS. DO NOT SCALE PRINT.

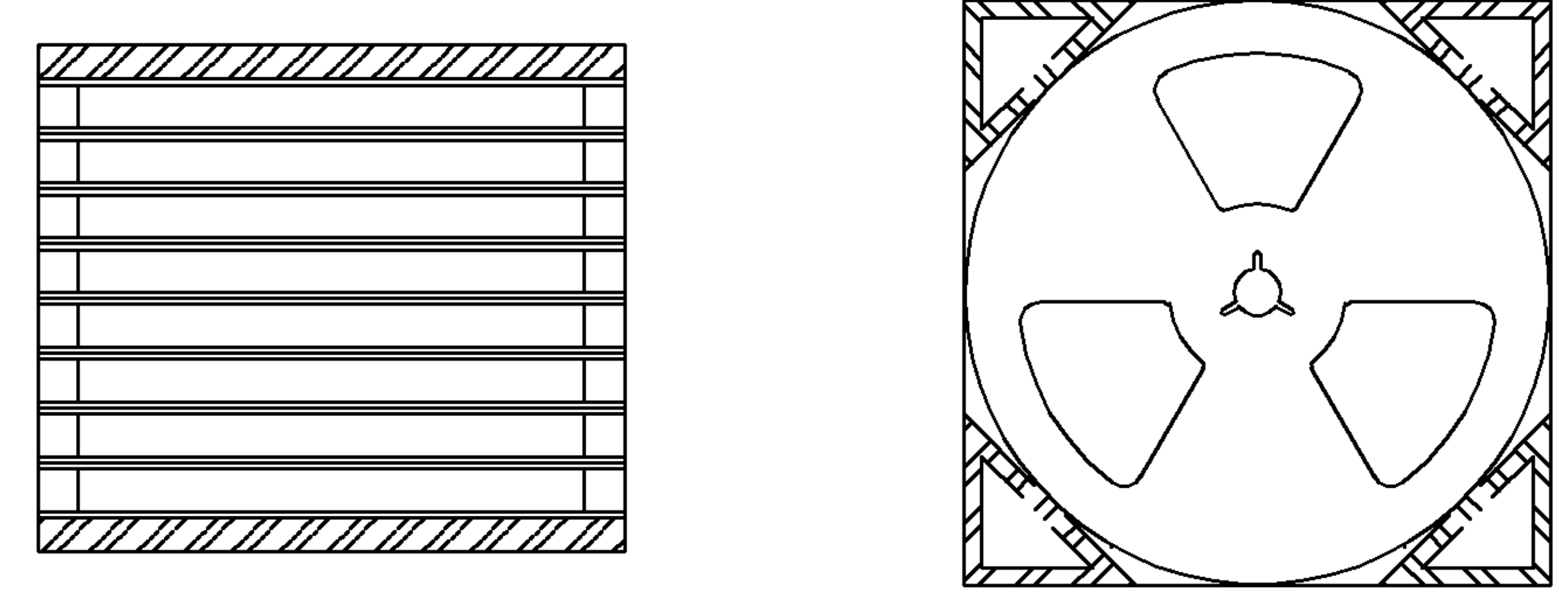
NUMBER  
C-1734368

METRIC  
3RD ANGLE PROJECTION

PRINT DIST  
DW



SECTION A-A



PACKING BOX

- NOTE:
- MATERIAL:  
EMBOSSED CARRIER :PS .  
COVER TAPE : PET.  
SHIPPING CARTON : CORRUGATED FIBERBOARD.
  - DIMENSION:  
REEL : W=32,  $\phi A=330$ mm.  
SHIPPING CARTON : L=348, W=348, H=340mm.
  - QUANTITY:  
PRIMARY PACKING : 200 PCS/REEL.  
SECONDARY PACKING : 8 REEL/CARTON(1,600PCS).
  - WEIGHT:  
NET WEIGHT : 9.5kg.  
GROSS WEIGHT : 10.5kg.
  - PEELING RESISTANCE :10gf ~130gf
  - PEELING SPEED : 300 mm/minutes.

1-1734368-2  
1-1734368-1  
PART NUMBER

TOLERANCES UNLESS OTHERWISE SPECIFIED: 0 PLC ± 1 PLC ± 2 PLC ± 3 PLC ± ANGLES ±		DWN O. HU 25-MAY-2005	TYCO HOLDINGS (BERMUDA) VII LTD. TAIWAN BRANCH NAME	
MATERIAL SEE SHEET 1.		CHK S. HOU 25-MAY-2005	SOCKET ASSEMBLY, RIGHT ANGLE 6 POS. FLAT SMT, IEEE 1394	
FINISH SEE SHEET 1.		APVD W.J. KE 25-MAY-2005	LOC DW	REV O
		PRODUCT SPEC	SIZE A <sub>3</sub>	DRAWING NO C-1734368
		QUALIFICATION TEST REPORT	SCALE --	SHEET 3 OF 3
		WEIGHT		

SEE SHEET 1.	ECN	DWN	CHK	DATE
LTR	REVISION RECORD			