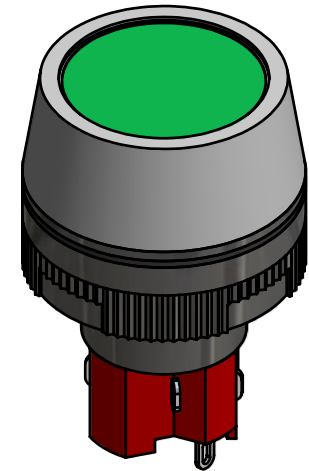
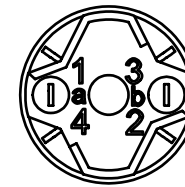
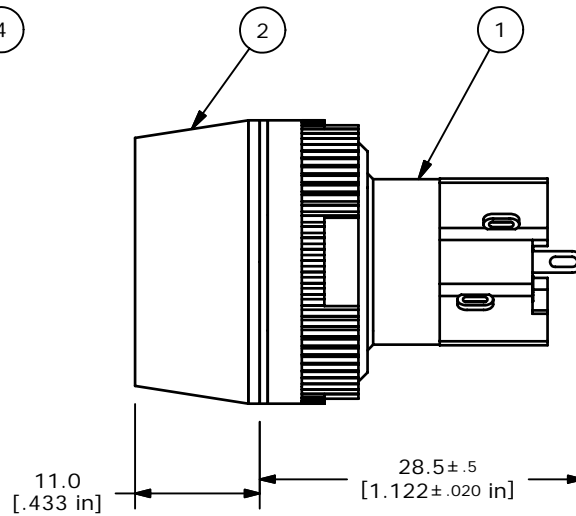


Parts List			
ITEM	QTY	PART NUMBER	DESCRIPTION
1	1	F060602	LASEEV11
2	1	F051702	25MM RING FOR LA SERIES
3	1	F060202	25MM GREEN LENS
4	1	F050404	50-004-04 14VAC OR DC INCANDESCENT BULB



- NOTE:
- ALL DIMENSIONS IN MM [INCH]
  - GENERAL TOLERANCE: X.X=±0.4  
X.XX=±0.25
  - TERMINAL NUMBERS FOR REF ONLY
  - RATING: 5 AMPS @ 250VAC UL, VDE APPROVED  
6 AMPS @ 24VDC UL, VDE APPROVED
  - ELECTRIC LIFE: 50,000 MAKE-AND-BREAK CYCLES AT FULL LOAD.
  - INSULATION RESISTANCE: 1,000 MEGA-OHM MIN.
  - OPERATING TEMP.: -25°C to 55°C
  - LAMP VOLTAGE: 14VAC OR DC INCANDESCENT
  - ▲DENOTES CRITICAL PARAMETER.

**E-SWITCH®**

A	15744	RELEASED FOR PRODUCTION	2/9/06	PH
REV	PCR NO	DESCRIPTION	DATE	BY

TITLE LASEEV11BGRN				
SCALE	DATE	DR	DWG	REV
1.5:1	2/9/2005	PH	XF0670P	A

THE INFORMATION CONTAINED IN THIS DOCUMENT IS PROPRIETARY TO E-SWITCH AND IS NOT TO BE COPIED OR TRANSFERRED