

Integrated Electric Jack, Square Type Optical Connector (Fiber-Optic Transmitter and Receiver)

Features

- An electric jack and an optical connector have been packaged together
Thin package makes it possible to reduce the mounting cost
- Double-speed transmission that supports the input/output of high-definition audio signals from DVD players/AV amplifiers is possible
Transmission speed: MAX. 13.2 Mbps
- With a shutter mechanism

Applications

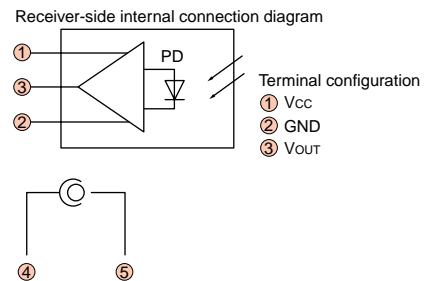
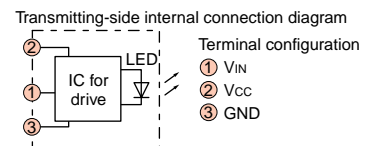
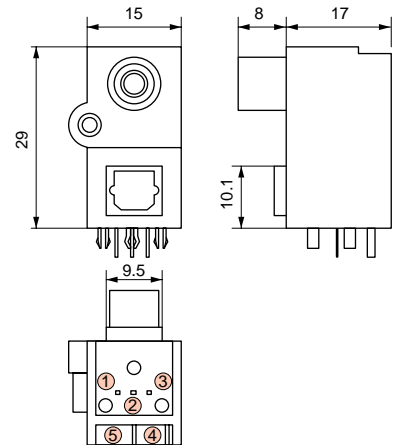
- DVD players ● Stereos ● AV amplifiers
- Digital TVs ● STBs ● Personal computers

Specifications

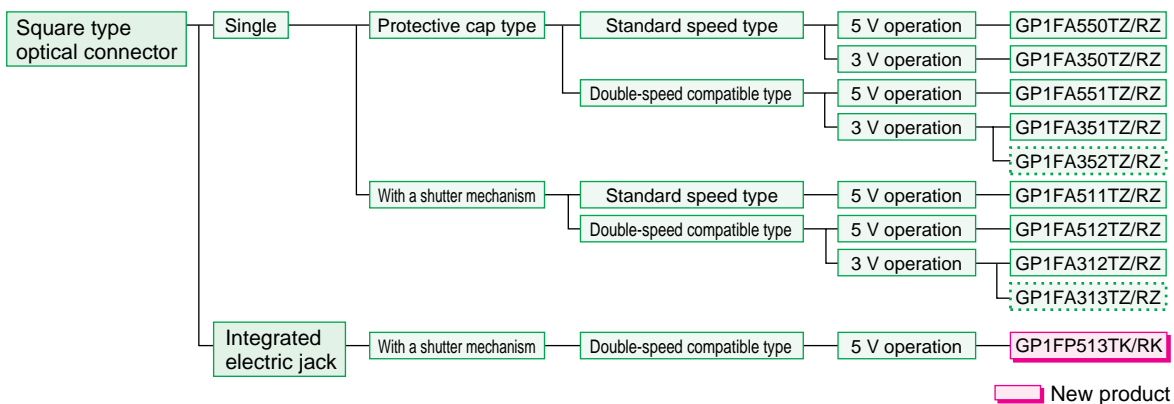
GP1FP513TK (Fiber-optic transmitter)		
Parameter	Symbol	Characteristics
Operating voltage	Vcc	4.75 to 5.25 V
Dissipation current	Icc	MAX. 13 mA
Peak emission wavelength	λ_p	TYP. 660 nm
Optical power output coupling with fiber	Pc	MIN. -21 dBm
Operating transfer rate	T	MAX. 13.2 Mbps
Jitter	tj	TYP. 1 ns
Operating temperature	Topr	-20 to +70 °C

GP1FP513RK (Fiber-optic receiver)		
Parameter	Symbol	Characteristics
Operating voltage	Vcc	4.75 to 5.25 V
Dissipation current	Icc	MAX. 25 mA
Minimum received optical power	PCMIN	MAX. -24 dBm
Operating transfer rate	T	MAX. 13.2 Mbps
Jitter	tj	TYP. 1 ns
Operating temperature	Topr	-20 to +70 °C

Outline Dimensions (Unit: mm)



Line-up of Optical Fiber Transmitter and Receiver



Notice:

- In the absence of confirmation by device specification sheets, SHARP takes no responsibility for any defects that may occur in equipment using any SHARP devices shown in catalogs, data books, etc. Contact SHARP in order to obtain the latest device specification sheets before using any SHARP devices.
- Specifications, model names and availabilities are subject to change without notice for improvement.