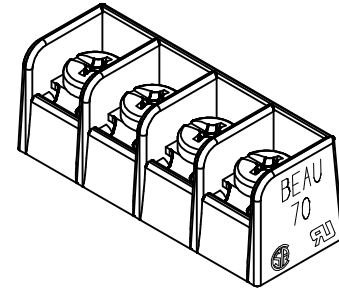
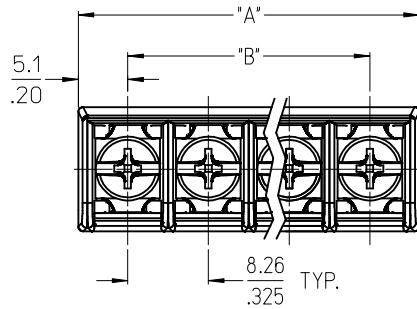
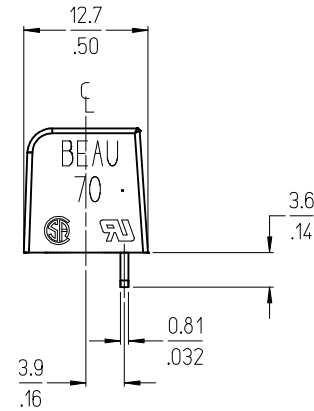
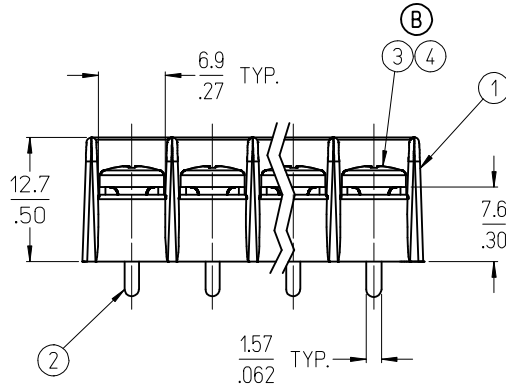


REF. -50 OPT. SCREW
(WHERE APPLICABLE)



4 CIRCUIT SHOWN



NOTES:

1. MATERIAL: SEE TABLE
2. FINISHES: SEE TABLE
3. "XX" REFERS TO THE QUANTITY OF CIRCUITS
4. ROHS COMPLIANT

| | | | | |
|------|------|---|-----------------|--------------------|
| 5 | XX | SCREW&WASHER, #6-32X.25, PAN, PH/SL (-50 OPT) | STEEL | ZN, CLEAR CHROMATE |
| 4 | XX | SCREW, #6-32X.25, PAN, PH/SL (-49 OPT) | BRASS | NICKEL PLATE |
| 3 | XX | SCREW, #6-32X.25, PAN, PH/SL (STD.) | STEEL | ZN, CLEAR CHROMATE |
| 2 | XX | TERMINAL, PC | BRASS | TIN PLATE |
| 1 | 1 | INSULATOR, SR BTS PC CS 2 MO C | POLYESTER (PBT) | BLACK |
| ITEM | QTY. | DESCRIPTION | MATERIAL | FINISH |

ADD STD AND -49 OPT
EC NO: MNA2009-0702
DRAWN: JENC INAS 2009/05/26
CHKD: CYORK 2009/05/27
APPR: JIMACNEIL 2009/05/27

QUALITY SYMBOLS
▽=0
▽=0

GENERAL TOLERANCES (UNLESS SPECIFIED)

| | | |
|--------------|--------|---------|
| | mm | INCH |
| 4 PLACES | ± .005 | ± .0005 |
| 3 PLACES | ± .01 | ± .001 |
| 2 PLACES | ± .02 | ± .002 |
| 1 PLACE | ± .03 | ± .003 |
| ANGULAR ± 2° | | |

DRAFT WHERE APPLICABLE
MUST REMAIN WITHIN DIMENSIONS

DIMENSION STYLE
MM/IN

| | |
|-------------|------------|
| DRAWN BY | DATE |
| R. KEMP | 2003/05/16 |
| CHECKED BY | DATE |
| P. WALTZ | 2003/05/22 |
| APPROVED BY | DATE |
| P. WALTZ | 2003/05/22 |

MATERIAL NO. SEE SHT. 2

SCALE 2:1
DESIGN UNITS INCH
THIRD ANGLE PROJECTION

8.26MM [.325] SR BTS, CS
PC, NO MTG. ENDS

molex MOLEX INCORPORATED

DOCUMENT NO. SD-38704-001
SHEET NO. 1 OF 2

THIS DRAWING CONTAINS INFORMATION THAT IS PROPRIETARY TO MOLEX INCORPORATED AND SHOULD NOT BE USED WITHOUT WRITTEN PERMISSION

10 9 8 7 6 5 4 3 2 1

| NO. OF CIRCUITS | DIM. "A" | | DIM. "B" | | ASSEMBLY MATERIAL NO. (STANDARD) | ASSEMBLY MATERIAL NO. (-49 OPT) | ASSEMBLY MATERIAL NO. (-50 OPT) |
|-----------------|----------|------|----------|-------|----------------------------------|---------------------------------|---------------------------------|
| | mm | in | mm | in | | | |
| 02 | 18.5 | 0.73 | 8.26 | .325 | 387044102 | 387044502 | 387044902 |
| 03 | 26.8 | 1.06 | 16.51 | .650 | 387044103 | 387044503 | 387044903 |
| 04 | 35.1 | 1.38 | 24.77 | .975 | 387044104 | 387044504 | 387044904 |
| 05 | 43.3 | 1.70 | 33.02 | 1.300 | 387044105 | 387044505 | 387044905 |
| 06 | 51.5 | 2.03 | 41.28 | 1.625 | 387044106 | 387044506 | 387044906 |
| 07 | 59.8 | 2.35 | 49.53 | 1.950 | 387044107 | 387044507 | 387044907 |
| 08 | 68.0 | 2.68 | 57.79 | 2.275 | 387044108 | 387044508 | 387044908 |
| 09 | 76.3 | 3.00 | 66.04 | 2.600 | 387044109 | 387044509 | 387044909 |
| 10 | 84.6 | 3.33 | 74.30 | 2.925 | 387044110 | 387044510 | 387044910 |
| 11 | 92.8 | 3.65 | 82.55 | 3.250 | 387044111 | 387044511 | 387044911 |
| 12 | 101.1 | 3.98 | 90.81 | 3.575 | 387044112 | 387044512 | 387044912 |
| 13 | 109.3 | 4.30 | 99.06 | 3.900 | 387044113 | 387044513 | 387044913 |
| 14 | 117.6 | 4.63 | 107.32 | 4.225 | 387044114 | 387044514 | 387044914 |
| 15 | 125.8 | 4.95 | 115.57 | 4.550 | 387044115 | 387044515 | 387044915 |
| 16 | 134.1 | 5.28 | 123.83 | 4.875 | 387044116 | 387044516 | 387044916 |

| | | | | | | |
|---|---------------------|---------------------------------------|---|---|------------------|--|
| SEE SHEET ONE EC NO: WNA2009-0702 DRAWN: JENC INAS 2009/05/26 CHKD: CYORK 2009/05/27 APPR: JMACNE IL 2009/05/27 | QUALITY SYMBOLS | GENERAL TOLERANCES (UNLESS SPECIFIED) | DIMENSION STYLE | SCALE | DESIGN UNITS | THIRD ANGLE PROJECTION |
| | ▼=0 ▽=0 | mm | MM/IN | 1:1 | INCH | 8.26MM [.325] SR BTS, CS PC, NO MTG. ENDS |
| | | 4 PLACES ± --- ± --- | DRAWN BY DATE | MOLEX INCORPORATED DOCUMENT NO. SD-38704-001 | | |
| | | 3 PLACES ± --- ± .005 | R. KEMP 2003/05/16 | | | |
| 2 PLACES ± 0.13 ± .01 | CHECKED BY DATE | | | | | |
| 1 PLACE ± 0.3 ± --- | P. WALTZ 2003/05/22 | APPROVED BY DATE | THIS DRAWING CONTAINS INFORMATION THAT IS PROPRIETARY TO MOLEX INCORPORATED AND SHOULD NOT BE USED WITHOUT WRITTEN PERMISSION | | | |
| ANGULAR ± 2 ° | P. WALTZ 2003/05/22 | MATERIAL NO. | SEE CHART | | SHEET NO. 2 OF 2 | |
| DRAFT WHERE APPLICABLE MUST REMAIN WITHIN DIMENSIONS | | | | | | |

9 8 7 6 5 4 3 2 1