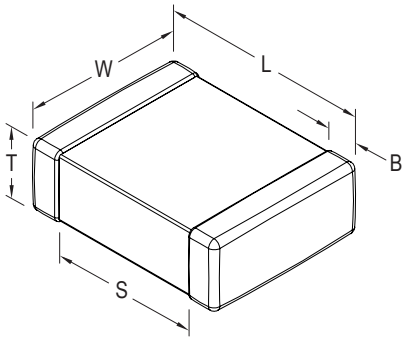


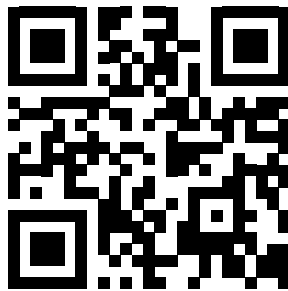
Sample Kit Contents

KEMET Part Number	Case Size	Capacitance	Cap Tolerance	Rated Voltage	T Thickness	Dielectric	Quantity
	EIA/Metric		%	VDC	mm		
C0402C222J3JAC	0402/1005	2,200 pF	±5	25	0.50 ± 0.05	U2J	100
C0402C182J5JAC	0402/1005	1,800 pF	±5	50	0.50 ± 0.05	U2J	100
C0402C102J5JAC	0402/1005	1,000 pF	±5	50	0.50 ± 0.05	U2J	100
C0402C132J8JAC	0402/1005	1,300 pF	±5	10	0.50 ± 0.05	U2J	100
C0402C152J8JAC	0402/1005	1,500 pF	±5	10	0.50 ± 0.05	U2J	100
C0402C182J8JAC	0402/1005	1,800 pF	±5	10	0.50 ± 0.05	U2J	100
C0402C202J8JAC	0402/1005	2,000 pF	±5	10	0.50 ± 0.05	U2J	100
C0402C222J8JAC	0402/1005	2,200 pF	±5	10	0.50 ± 0.05	U2J	100
C0603X103F5JAC	0603/1608	10,000 pF	±1	50	0.80 ± 0.07	U2J	50
C0603X103G5JAC	0603/1608	10,000 pF	±2	50	0.80 ± 0.07	U2J	50
C0603X103J8JAC	0603/1608	10,000 pF	±5	10	0.80 ± 0.07	U2J	50
C0603X182J5JAC	0603/1608	1,800 pF	±5	50	0.80 ± 0.07	U2J	50
C0603X332G5JAC	0603/1608	3,300 pF	±2	50	0.80 ± 0.07	U2J	50
C0603X392J5JAC	0603/1608	3,900 pF	±5	50	0.80 ± 0.07	U2J	50
C0603X432J5JAC	0603/1608	4,300 pF	±5	50	0.80 ± 0.07	U2J	50
C0603X472F5JAC	0603/1608	4,700 pF	±1	50	0.80 ± 0.07	U2J	50
C0603X512J5JAC	0603/1608	5,100 pF	±5	50	0.80 ± 0.07	U2J	50
C0603X752J5JAC	0603/1608	7,500 pF	±5	50	0.80 ± 0.07	U2J	50
C0603X822F5JAC	0603/1608	8,200 pF	±1	50	0.80 ± 0.07	U2J	50
C0603X822J5JAC	0603/1608	8,200 pF	±5	50	0.80 ± 0.07	U2J	50
C0603X912J5JAC	0603/1608	9,100 pF	±5	50	0.80 ± 0.07	U2J	50
C0603C153J3JAC	0603/1608	15,000 pF	±5	25	0.80 ± 0.07	U2J	50
C0603C103J5JAC	0603/1608	10,000 pF	±5	50	0.80 ± 0.07	U2J	50
C0805C563J3JAC	0805/2012	56,000 pF	±5	25	1.25 ± 0.15	U2J	50
C0805C473J5JAC	0805/2012	47,000 pF	±5	50	1.25 ± 0.15	U2J	50
C0805C333J5JAC	0805/2012	33,000 pF	±5	50	1.25 ± 0.15	U2J	50
C0805C223J5JAC	0805/2012	22,000 pF	±5	50	0.90 ± 0.10	U2J	50
C1206C224J3JAC	1206/3216	220,000 pF	±5	25	1.60 ± 0.20	U2J	50
C1206C154J5JAC	1206/3216	150,000 pF	±5	50	1.60 ± 0.20	U2J	50
C1206C104J5JAC	1206/3216	100,000 pF	±5	50	1.20 ± 0.15	U2J	50
C1206C473J5JAC	1206/3216	47,000 pF	±5	50	0.78 ± 0.10	U2J	50
C1210C334J3JAC	1210/3225	330,000 pF	±5	25	1.70 ± 0.20	U2J	50
C1210C274J5JAC	1210/3225	270,000 pF	±5	50	1.70 ± 0.20	U2J	50
C1210C224J5JAC	1210/3225	220,000 pF	±5	50	1.55 ± 0.15	U2J	50
C1210C104J5JAC	1210/3225	100,000 pF	±5	50	0.90 ± 0.10	U2J	50

Dimensions – Millimeters (Inches)



EIA Size Code	Metric Size Code	L Length	W Width	T Thickness	B Bandwidth	S Separation Minimum	Mounting Technique
0402	1005	1.00 (0.040)±0.05 (0.002)	0.50 (0.020)± 0.05 (0.002)		0.30 (0.012)±0.10 (0.004)	0.30 (0.012)	Solder wave or Solder reflow
0603	1608	1.60 (0.063)±0.15 (0.006)	0.80 (0.032)±0.15 (0.006)		0.35 (0.014)±0.15 (0.006)	0.70 (0.028)	
0805	2012	2.00 (0.079)±0.20 (0.008)	1.25 (0.049)±0.20 (0.008)		0.50 (0.02)±0.25 (0.010)	0.75 (0.030)	
1206	3216	3.20 (0.126)±0.20 (0.008)	1.60 (0.063)±0.20 (0.008)		0.50 (0.02)±0.25 (0.010)	N/A	Solder reflow only
1210	3225	3.20 (0.126)±0.20 (0.008)	2.50 (0.098)±0.20 (0.008)		0.50 (0.02)±0.25 (0.010)		
1812	4532	4.50 (0.177)±0.30 (0.012)	3.20 (0.126)±0.30 (0.012)		0.60 (0.024)±0.35 (0.014)		



www.kemet.com/U2J