

## 831370 With standard rotary action 831370 Part number 83137004



- Action with a wire
- Very low operating force
- Long mechanical life

### Part numbers

	Type	Function	Connections
83137004	With standard rotary action 831370	I (changeover)	W3

### Specifications

#### Electrical characteristics

Rating nominal / 250 VAC (A)	5
Rating thermal / 250 VAC (A)	14

#### Mechanical characteristics

maximum operating force N cm	0.12
Minimum release torque N cm	0.03
Overtravel torque N cm	0.5
Pre-travel- maximum (°)	26
Maximum differential travel (°)	14
Min. overtravel (°)	12
Ambient operating temperature (°C)	-20 → +125
Mechanical life (operations)	10 <sup>7</sup>
Contact gap (mm)	0,8
Weight (g)	7,2

### Additional specifications

#### Components

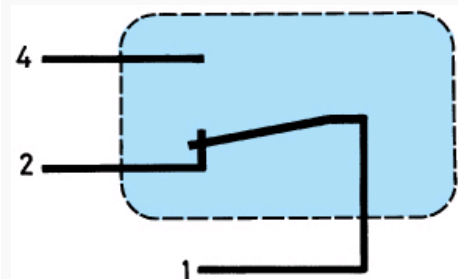
##### Material

- Case : polyamide.
- Contacts : silver.

##### Lever

- Stainless steel wire.

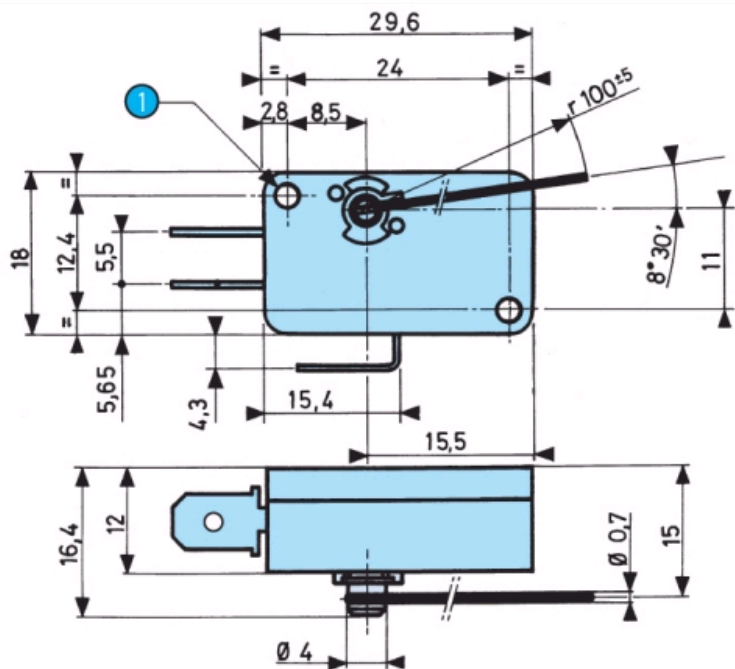
### Principles



### Dimensions (mm)

#### Product

831370

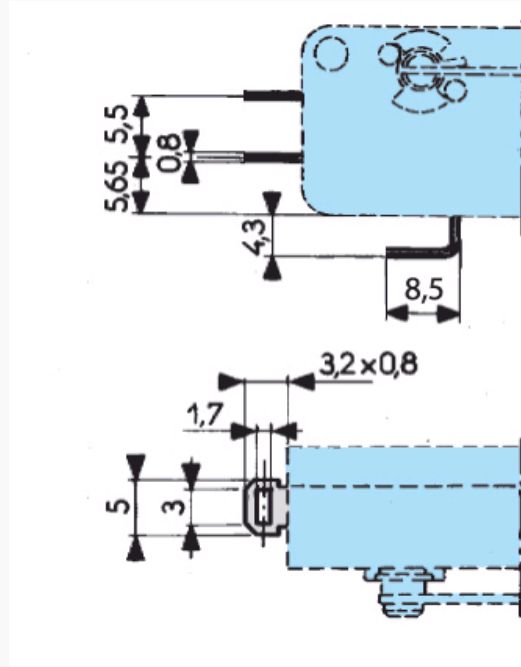


N°	Legend
1	2 holes Ø 3.2

Dimensions (mm)

Connections

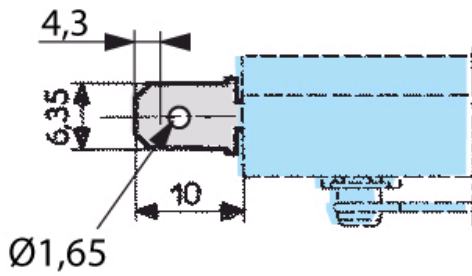
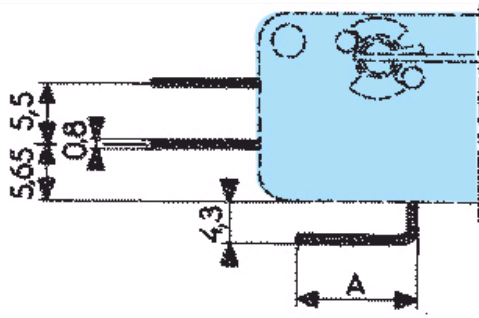
W2 solder



Dimensions (mm)

Connections

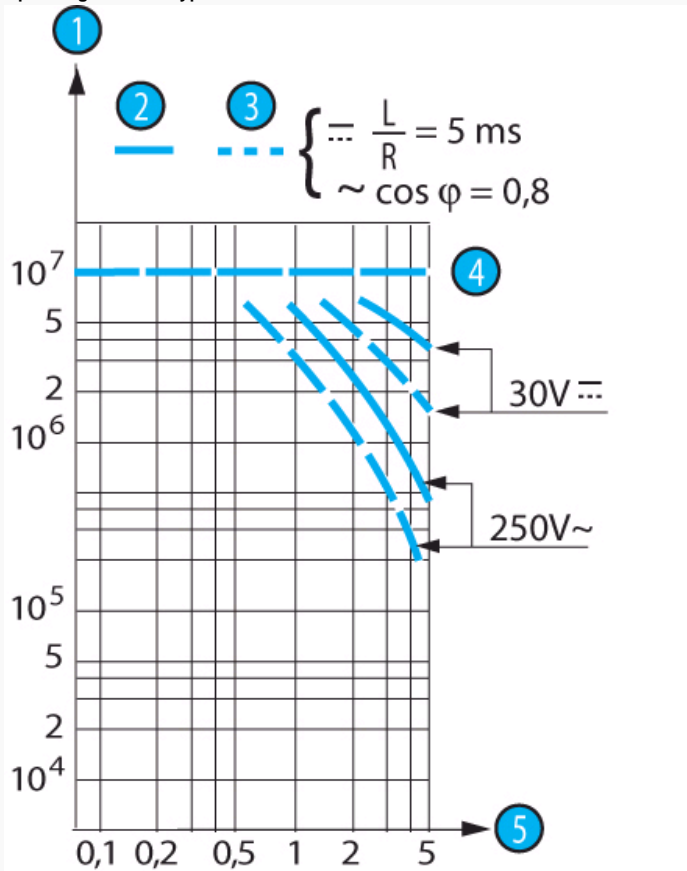
W3 for 6.35 mm clips



A = 11.3

Curves

Operating curve for type 831370



N°	Legend
1	Number of cycles
2	Resistive circuit

1	Inductive circuit
2	Mechanical life limit
3	Current in Amps

#### Other information

##### Mounting - Operation

See basic technical concepts

#### Product adaptations



- Special levers
- UL approval