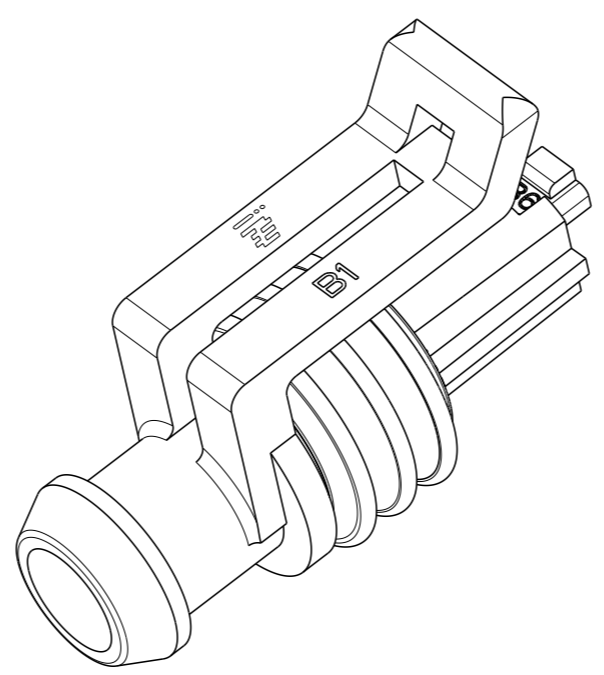
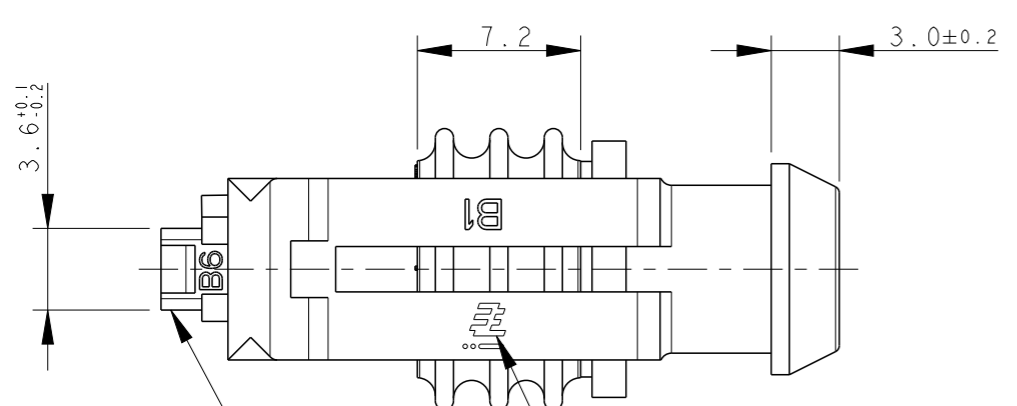
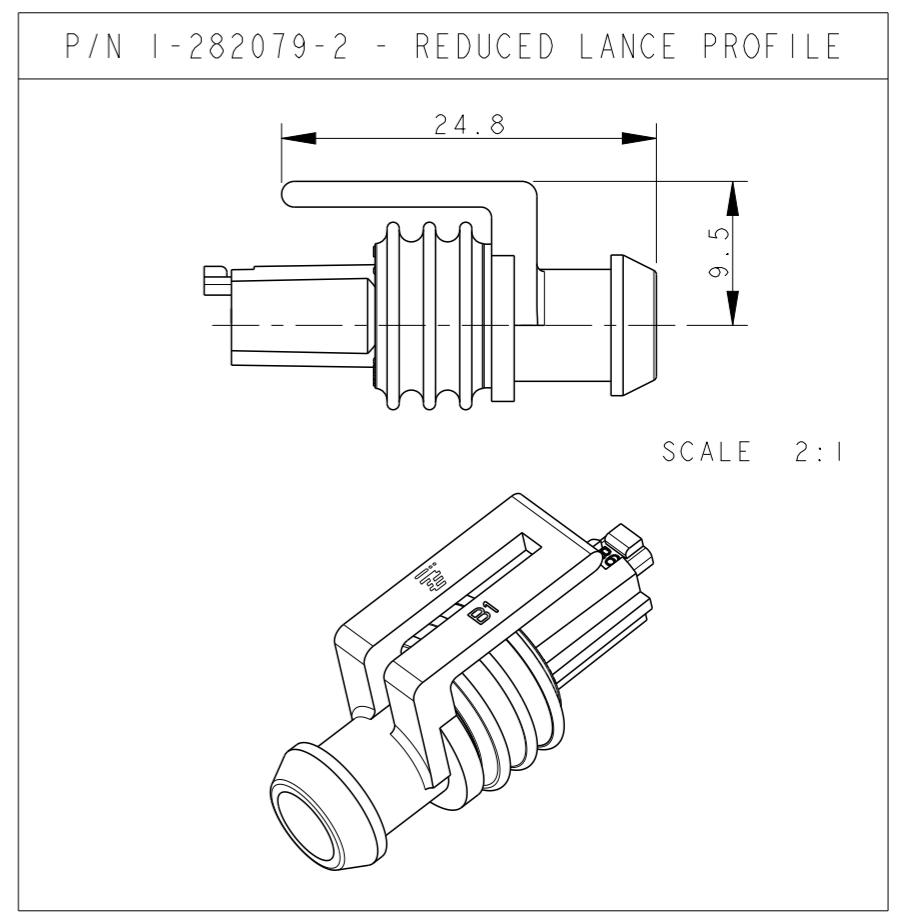
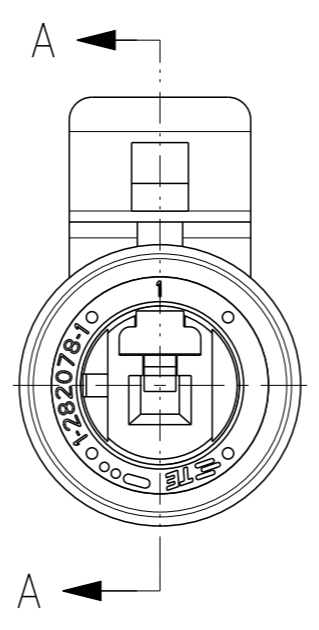
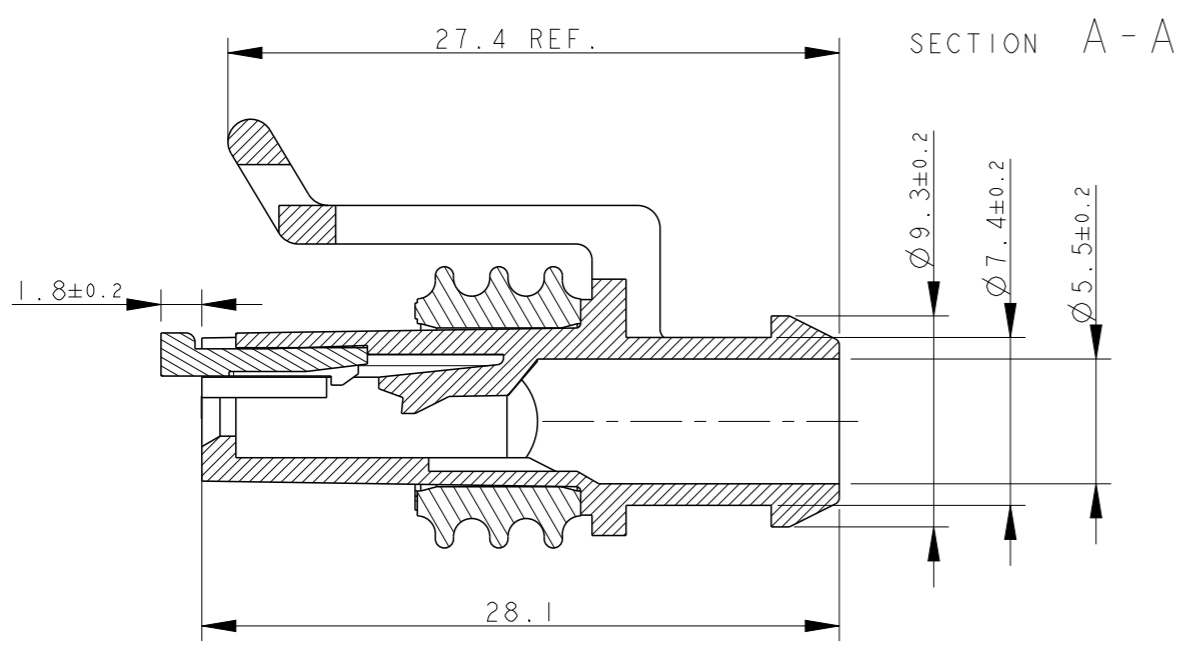


THIS DRAWING IS UNPUBLISHED. RELEASED FOR PUBLICATION 2011  
 © COPYRIGHT 2011 ALL RIGHTS RESERVED.

LOC	DIST	REVISIONS			
P	LTR	DESCRIPTION	DATE	DWN	APVD
	C1	REVISED FOR ET00-0008-04	20JAN2004	P.Z.	R.M.
	F	REVISED BY ECR-11-024280	13DEC2011	M.F.	M.G.
	F1	ADDED PN 2-...-2 (ECR-13-002497)	20FEB2013	M.G.	M.G.



TE CONNECTIVITY TRADE MARK, (IN ALTERNATIVE: "AMP" LOGO, OR "Tyco Electronics" LOGO)

SEALING (SILICONE RUBBER)

PRE-ASSEMBLED SECONDARY LOCK (RED COLOR)

⚠ WARNING: LOW RETENTION FORCE OF SEALING ON HOUSING (<9N)  
 2) FOR COUNTERPART DETAILS, SEE SHEET 2 OF 2

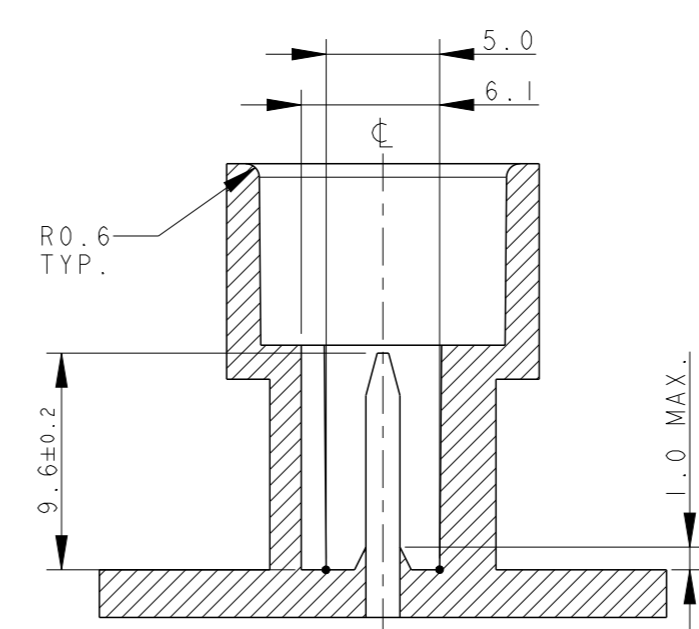
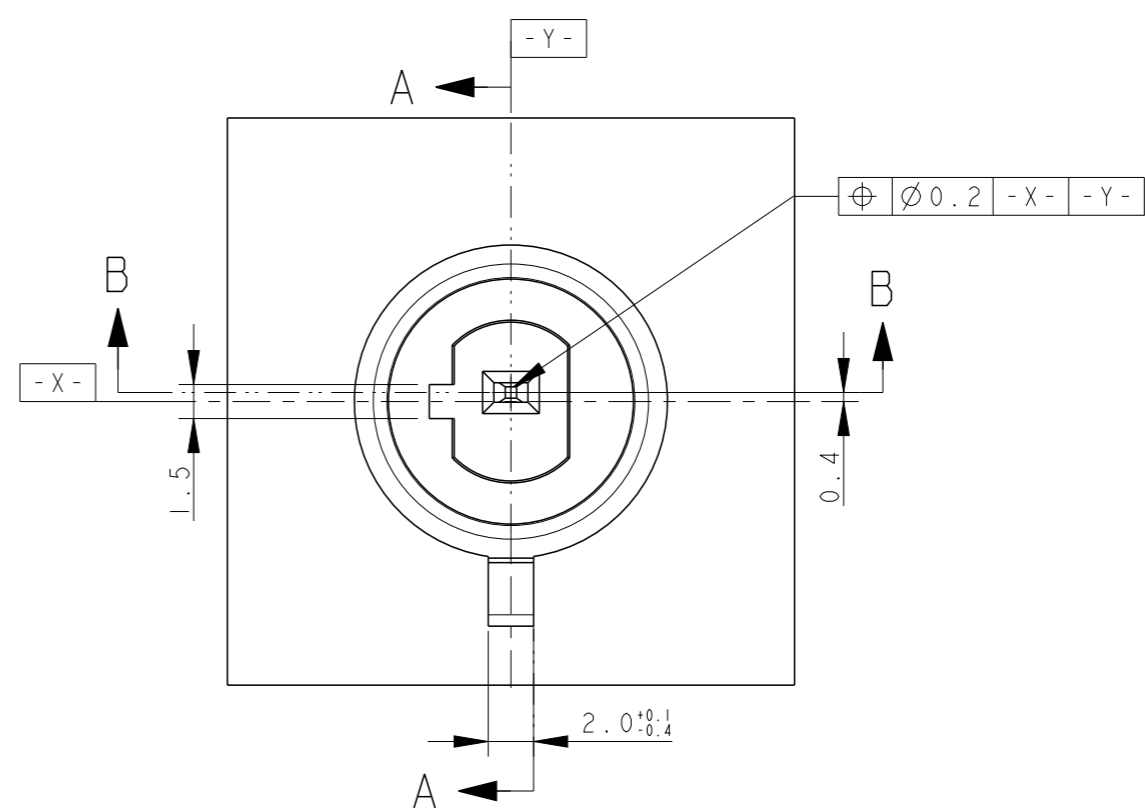
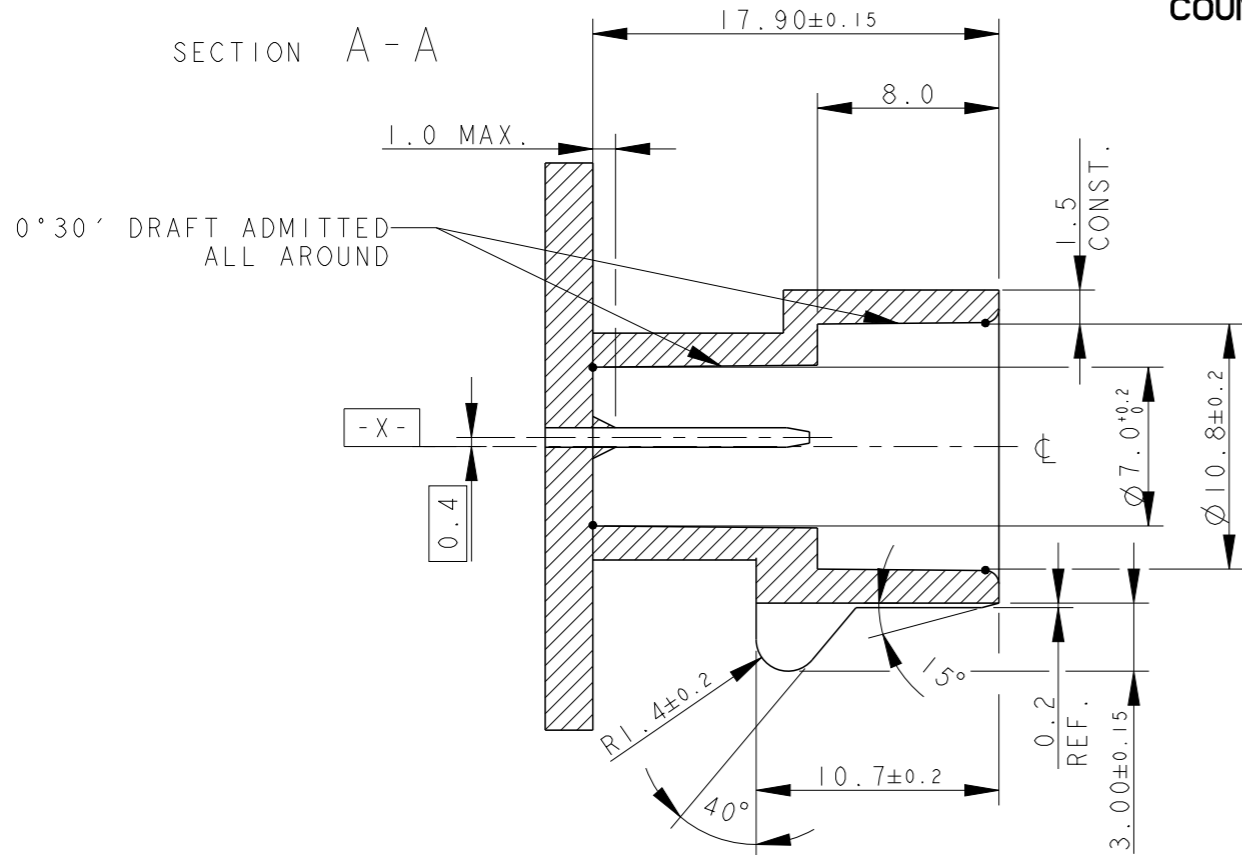
NOTE	FINISH/COLOR	MATERIAL	PART NUMBER
⚠	HOUSING: BLACK SEALING: NATURAL	HOUSING+SEC.LOCK: PA 66-GF SEALING: LSR (4% OIL CONTENT)	2-282079-2
	HOUSING: BLACK SEALING: YELLOW		1-282079-2
	HOUSING: GRAY SEALING: YELLOW	HOUSING+SEC.LOCK: PA 66-GF SEALING: LSR (NO OIL CONTENT)	282079-3
	HOUSING: BLACK SEALING: YELLOW		282079-2

THIS DRAWING IS A CONTROLLED DOCUMENT.

DWN C. BERTINI 05-1992		NAME AMP SUPERSEAL 1.5 SRS. 1 POSITION PLUG ASS'Y
CHK A. BRUNI 05-1992		
APVD -		
PRODUCT SPEC 108-20090		
MATERIAL -	SIZE A300779	CAGE CODE C-282079
DIMENSIONS: mm	APPLICATION SPEC 412-20000	
TOLERANCES UNLESS OTHERWISE SPECIFIED:	WEIGHT 1.55gr	
0 PLC ±-	DRAWING NO 300779	
1 PLC ±0.3	RESTRICTED TO -	
2 PLC ±-	SCALE 3:1	
3 PLC ±-	SHEET 1 OF 2	
4 PLC ±-	REV F1	
ANGLES ±2°	Customer Drawing	
FINISH -	1470-19 (3/11)	

LOC		DIST		REVISIONS			
P	LTR	DESCRIPTION	DATE	DWN	APVD		
-	-	SEE SHEET 1	-	-	-		

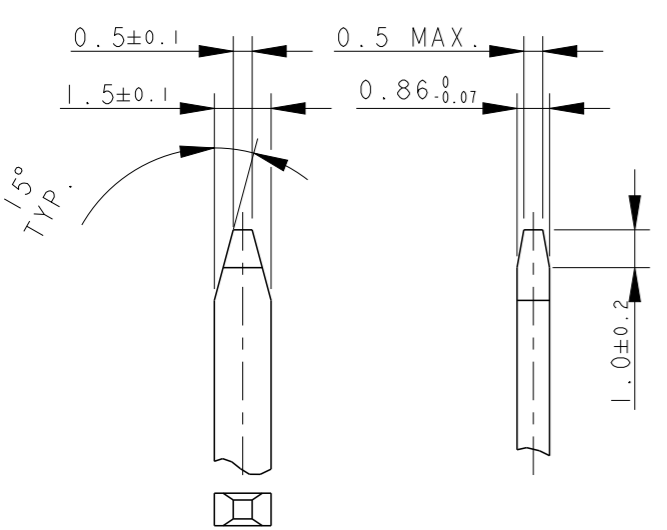
### COUNTERPART DETAILS



### SECTION B-B

△ MATERIALS: PA66-GF FOR HOUSING  
TIN PLATED BRASS FOR TABS

### TAB DETAILS



THIS DRAWING IS A CONTROLLED DOCUMENT.		DWN C. BERTINI 05-1992	<b>TE Connectivity</b>		
DIMENSIONS: mm		CHK A. BRUNI 05-1992			
TOLERANCES UNLESS OTHERWISE SPECIFIED:		APVD -	NAME AMP SUPERSEAL 1.5 SRS. 1 POSITION PLUG ASS'Y		
<ul style="list-style-type: none"> <li>0 PLC ±0.3</li> <li>1 PLC ±0.1</li> <li>2 PLC ±0.05</li> <li>3 PLC ±</li> <li>4 PLC ±</li> <li>ANGLES ±2°</li> </ul>		PRODUCT SPEC -	SIZE A300779		
MATERIAL △		APPLICATION SPEC -	DRAWING NO C-282079	RESTRICTED TO -	
FINISH △		WEIGHT -	SCALE -	SHEET 2 OF 2	
		Customer Drawing	REV F1		