

THIS DRAWING IS UNPUBLISHED.

RELEASED FOR PUBLICATION

20

© COPYRIGHT 20

ALL RIGHTS RESERVED.

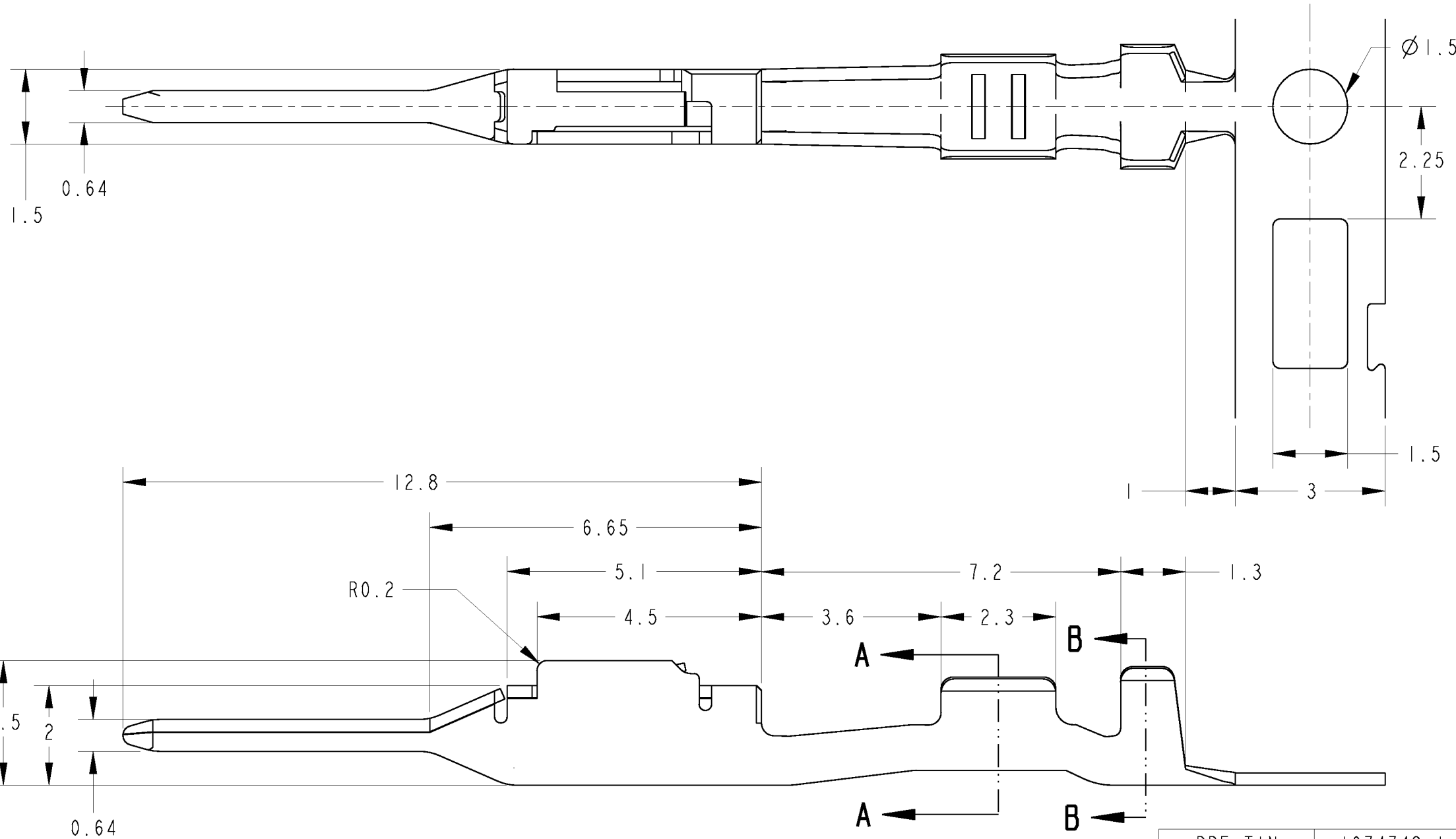
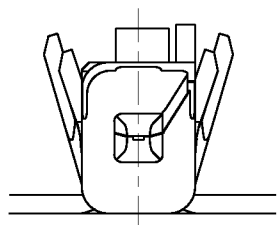
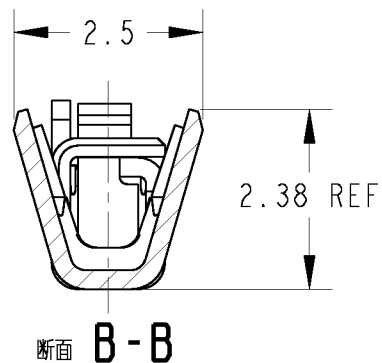
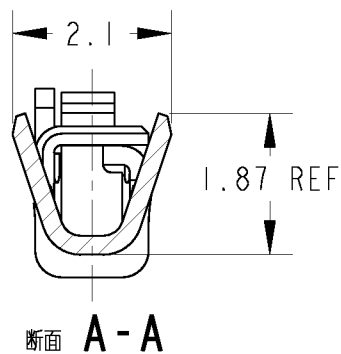
LOC J

DIST -

REVISIONS

変更

P	LTR	DESCRIPTION	DATE	DWN	APVD
	P	REVISED PER ECO-11-005140	02APR2011	RK	HMR



PRE-TIN	1674742-1
FINISH	PART NO.

- 1. 適用電線; AVSS, CAVS, CAVUS, AVSSH-f 0.3~0.5mm<sup>2</sup>
- 2. アプリケータ送りピッチ; 7.5mm

- 1. APPLICABLE WIRE RANGE;  
AVSS, CAVS, CAVUS, AVSSH-f 0.3~0.5mm<sup>2</sup>
- 2. APPLICATOR FEED; 7.5mm

THIS DRAWING IS A CONTROLLED DOCUMENT.

DIMENSIONS: 単位: ㎜	TOLERANCES UNLESS OTHERWISE SPECIFIED: 一般公差 ±0.3
	0-PLC ±
	1-PLC ±0.5
	2-PLC ±0.13
	3-PLC ±0.013
	4-PLC ±0.001
	ANGLES ±3'00"
MATERIAL 材料 COPPER Alloy	FINISH 仕上 SEE TABLE

DWN S. FURUYA	19-JUN-03
CHK T. KOHNO	19-JUN-03
APVD K. SHIMIZU	19-JUN-03
PRODUCT SPEC 製品規格	
APPLICATION SPEC 取付適用規格	114-5340
WEIGHT	0.2g
CUSTOMER DRAWING	

WIRE RANGE 包合電線断面積	0.37~0.56mm <sup>2</sup>	INSULATION DIA 被覆外径	φ1.1~1.7
<b>STE</b> TE Connectivity			
NAME 名称 025 TH TAB CONTACT			
SIZE	CAGE CODE	DRAWING NO 番号	RESTRICTED TO
A3	00779	C=1674742	-
SCALE 尺度 10:1		SHEET 1	OF 1
		REV P	