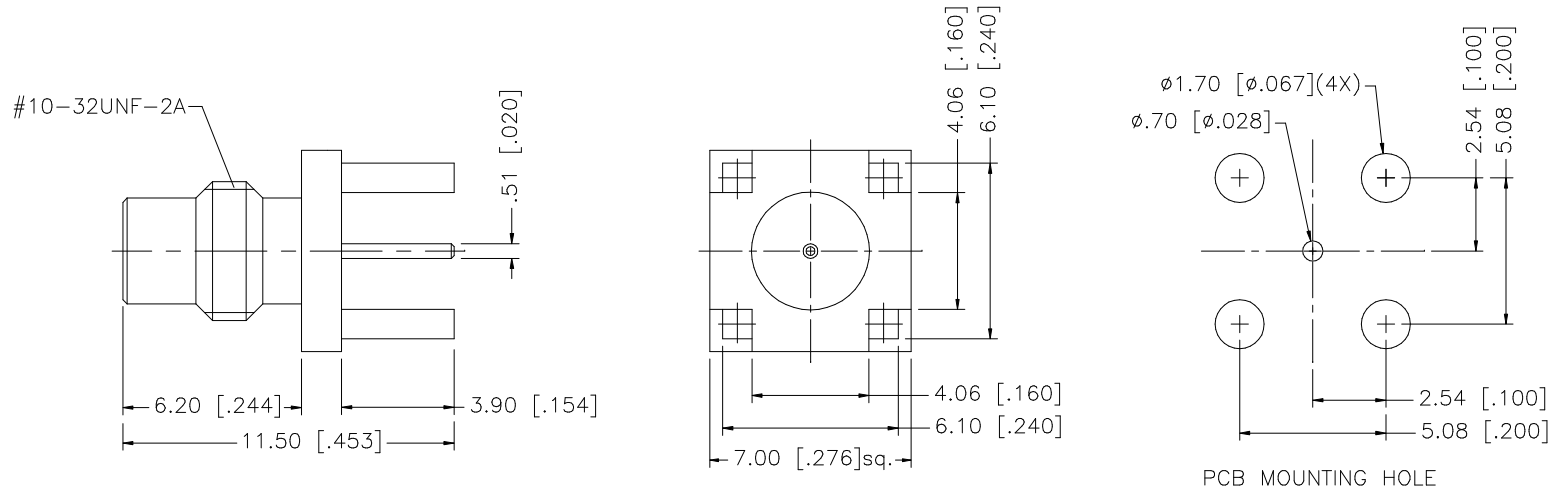


REV.	DATE	DESCRIPTION
NC	07/15/03	INITIAL RELEASE



8					<small>UNLESS OTHERWISE SPECIFIED DIMENSIONS ARE IN MILLIMETERS. DIMENSIONS IN [ ] ARE IN INCHES AND FOR CUSTOMER REFERENCE ONLY.</small>  <small>UNLESS OTHERWISE SPECIFIED TOLERANCES FOR MILLIMETERS ARE:  0.5 - 8mm <math>\pm</math> 0.20mm  8 - 30mm <math>\pm</math> 0.40mm  30 - 120mm <math>\pm</math> 0.50mm</small>  <small>UNLESS OTHERWISE SPECIFIED TOLERANCES FOR INCHES ARE:  .020 - .315 = <math>\pm</math> 0.007"  .315 - 1.180 = <math>\pm</math> 0.015"  1.180 - 4.724 = <math>\pm</math> 0.020"</small>	APPROVALS	DATE	<h1 style="color: blue;">Amphenol Connex</h1>			
7				DRAWN		G.R.S.	07/15/03				
6				CHECKED				<b>PART NO.</b> 152119-75			
5				ISSUED							
4				SHEET	1 OF 1		<b>REV.</b> NC				
3	CONTACT PIN	BRASS	GOLD	1	CAD FILE	C:/152/152119-75.DWG					<b>SIZE</b> A
2	INSULATOR	TEFLON	NATURAL	1			<b>SCALE</b> NA				
1	BODY	BRASS	GOLD	1							
	DESCRIPTION	MATERIAL	FINISH	QTY	DO NOT SCALE DRAWING						