

D

C

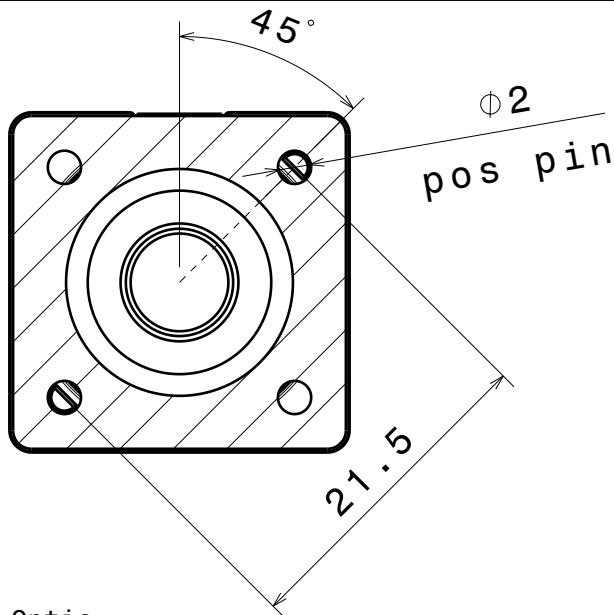
B

A

4

4

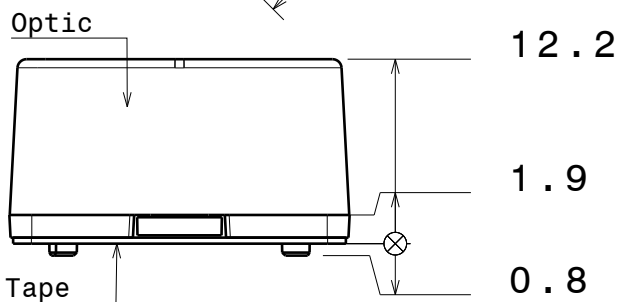
Bottom view



3

3

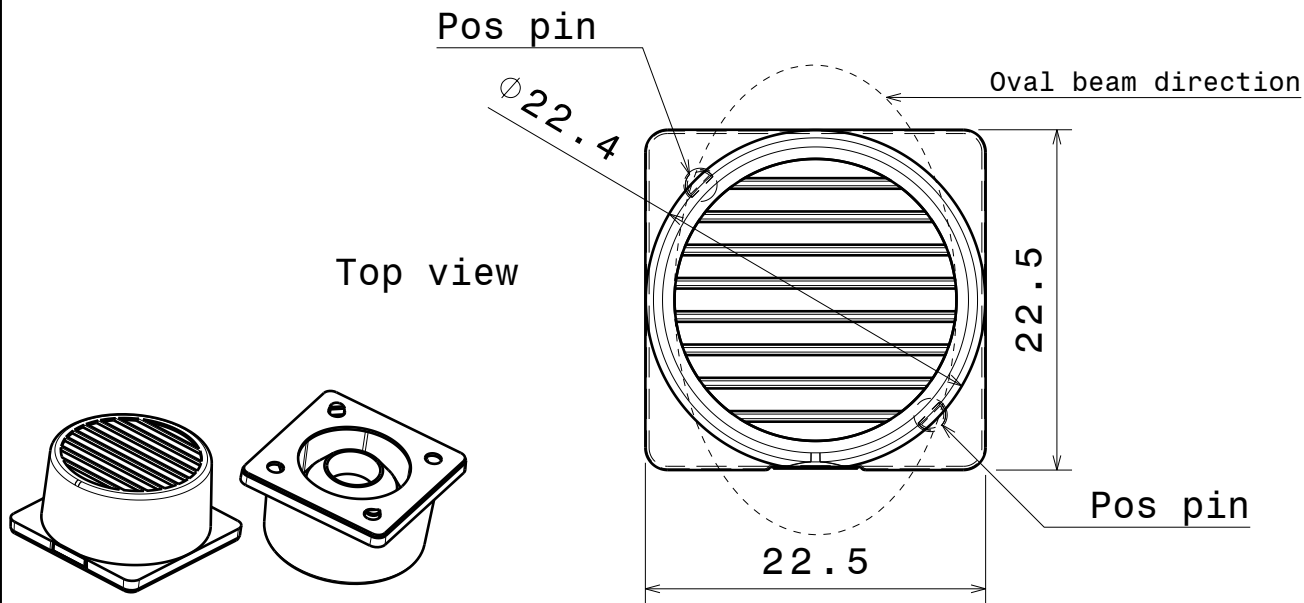
Front view



2

2

Top view



INDEX	DESCRIPTION	MATERIAL	COLOUR
1	VERONICA-SQ	PMMA / PU 2-sided adhesive foam tape	

Tolerances if not otherwise shown
 According to DIN ISO 2768-1
 Linear measures:
 Up to 30mm class M, otherwise class C.
 According to DIN ISO 2768-2
 Form and position: class L

LEDiL LediL Oy
 Salorankatu 10
 FIN 24240 SALO
 Finland

THIRD ANGLE PROJECTION:

DRAWING TITLE
VERONICA-SQ

This drawing is the property of LEDiL Oy. It may not be reproduced, copied or communicated without a written agreement with LEDiL Oy."

SIZE PART NUMBER
A4

SCALE 1:1 WEIGHT SHEET 1/1

D

A

1