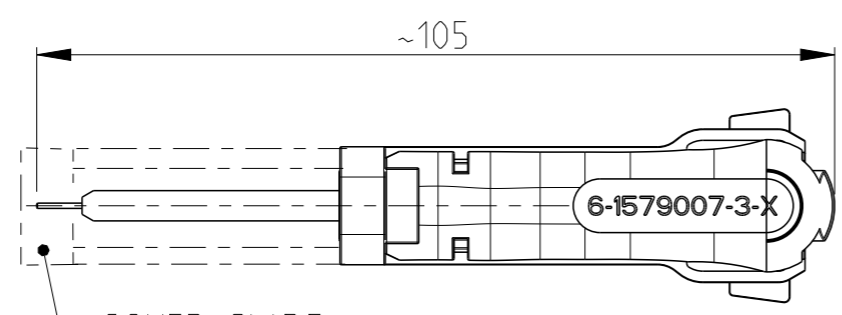
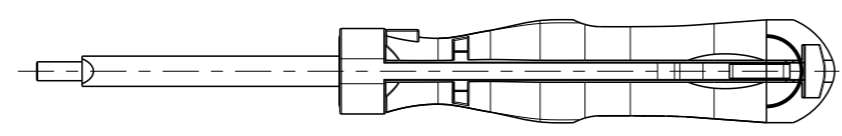
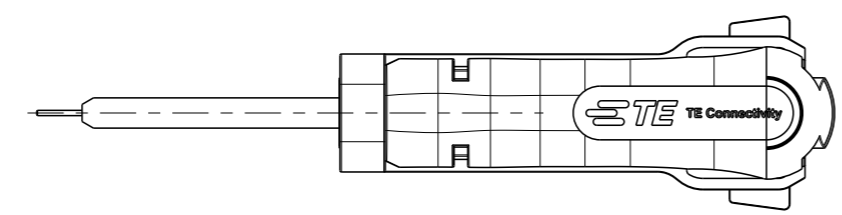
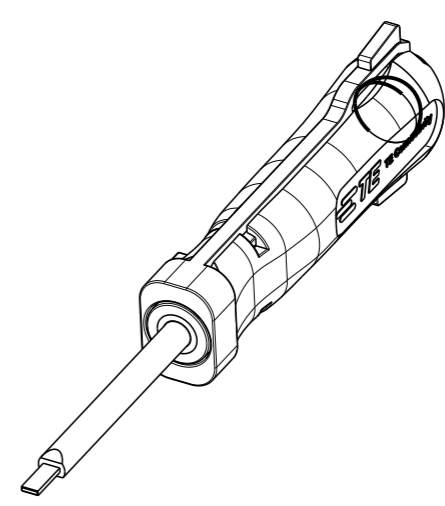


THIS DRAWING IS UNPUBLISHED. RELEASED FOR PUBLICATION 20  
 © COPYRIGHT 20 BY - ALL RIGHTS RESERVED.

LOC	DIST	REVISIONS					
		P	LTR	DESCRIPTION	DATE	DWN	APVD
A1	-		B	ECR-12-006154	15JAN2013	RG	GS



COVER SLIDE  
Schutzschieber



FOR CONTACT: MQP

Replacement for tool: 1355968-1

THIS DRAWING IS A CONTROLLED DOCUMENT.		DWN J. ZAJICEK	22MAR2006		
DIMENSIONS: mm		CHK -	APVD -		
		TOLERANCES UNLESS OTHERWISE SPECIFIED:		PRODUCT SPEC -	
MATERIAL		FINISH		APPLICATION SPEC -	
				SIZE A3	CAGE CODE 00779
				DRAWING NO 6-1579007-3	RESTRICTED TO -
				WEIGHT 17g	SCALE 1:1
				Customer Drawing	SHEET 1 OF 1
					REV B