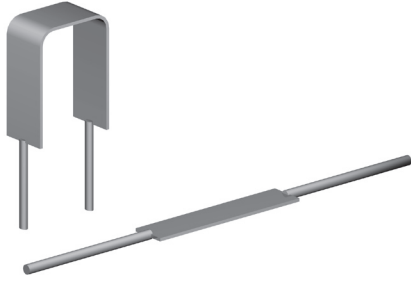


MS Series

Bare Metal Element Resistors

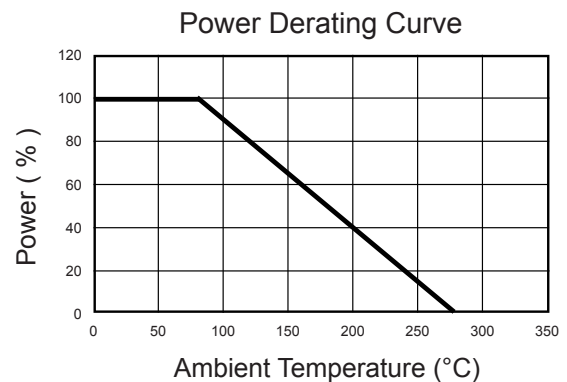
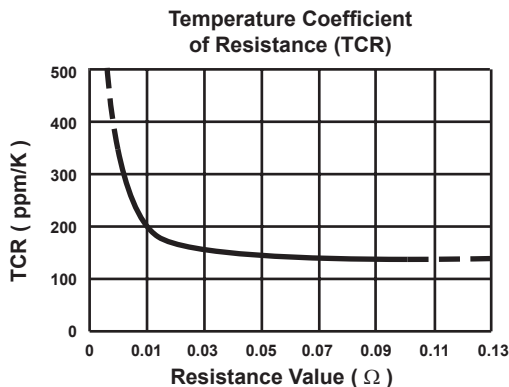
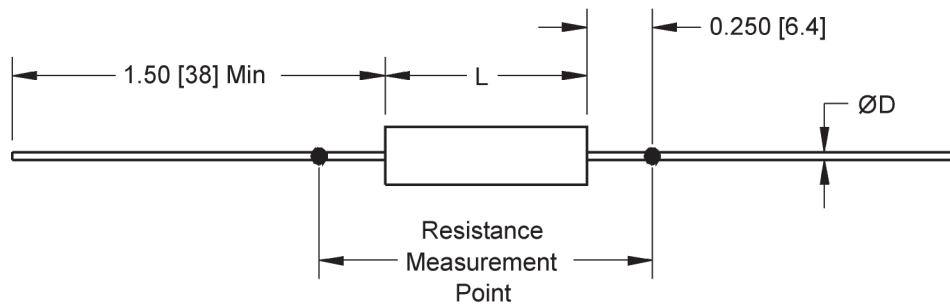


- Resistances from 0.005 to 0.10 Ohms
- Tolerance to $\pm 1\%$
- Resistance Wire TCR: $\pm 20 \text{ ppm/K}$
- For Current Sensing and Shunt Applications
- All Welded Construction
- Low Inductance ($< 10 \text{ nH}$)
- Economical Bare Metal Element

SPECIFICATIONS

Type	Power Rating Watts @ 85°C	Resistance Range (Ω) ¹	Tolerances	TCR (ppm/K)	Dimensions	
					L +0.040 / -0.020" [+1.0 / -0.5mm]	D ± 0.002 " [$\pm 0.05 \text{ mm}$]
MS-1	1	0.005 to 0.10	$\pm 1\%$ / $\pm 5\%$	See Chart	Consult Riedon	0.032 [0.8] 0.040 [1.0]
MS-3	3	0.005 to 0.10	$\pm 1\%$ / $\pm 5\%$	See Chart	Consult Riedon	0.040 [1.0]
MS-5	5	0.005 to 0.05	$\pm 1\%$ / $\pm 5\%$	See Chart	Consult Riedon	0.040 [1.0]

¹ Call Factory for Other Resistances



Ordering Information

Part Number - Resistance - Tolerance - TCR (If not standard)

Example: MS-3 0.05 Ohm 1%