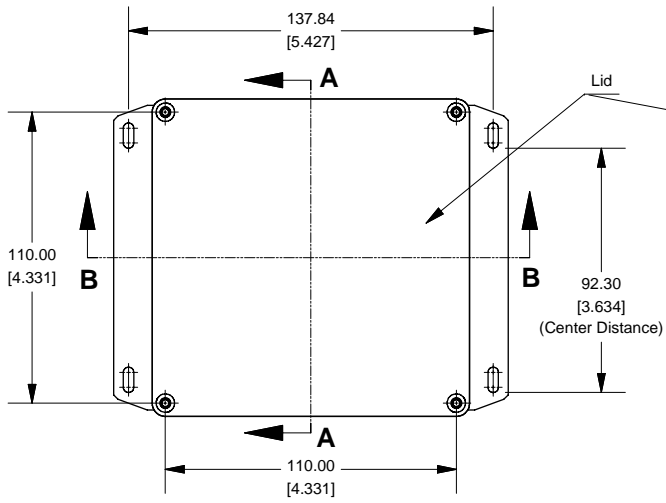
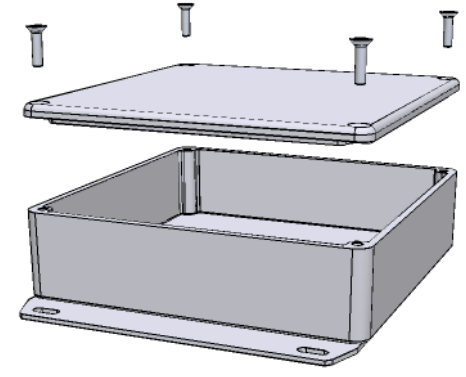
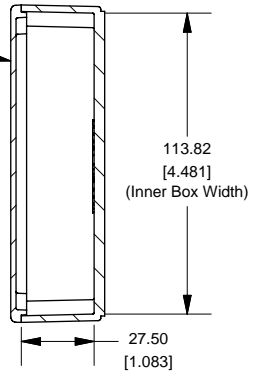


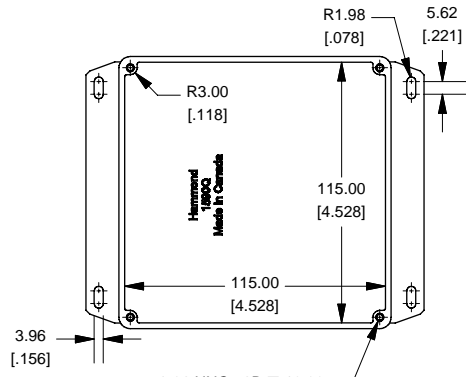
### Top View of Assembly



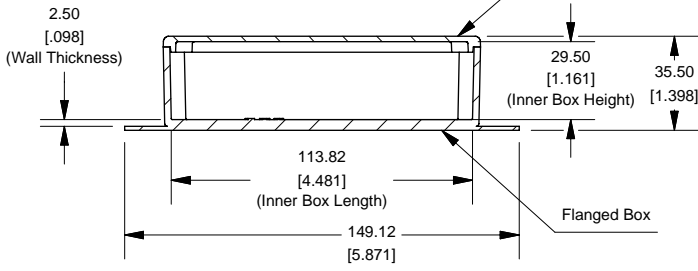
### SECTION A-A Side View of Assembly



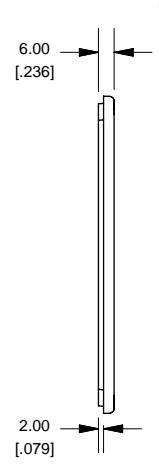
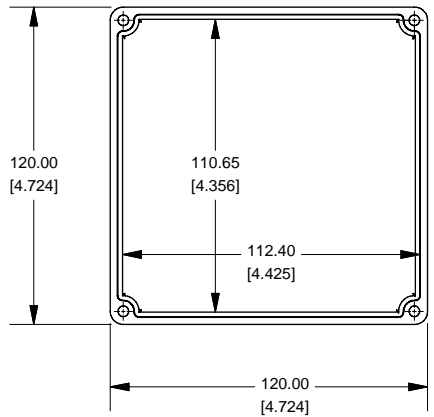
### Top View Looking Inside Box



### SECTION B-B End View of Assembly



### Lid



Enclosures can be Factory Modified ( Milling, Drilling, Printing etc.)  
Contact Factory [mjm@hammondmfg.com](mailto:mjm@hammondmfg.com) for quotes  
Solid models of this enclosure available in STEP or IGES.

**NOTE**  
Purchased assembly includes box, lid and 4 cover screws.  
Box and lid are made from Diecast Aluminum Alloy (alloy type 380).  
Silicone Gasket Loctite #5950  
Bottom Flange is Welded

PART NUMBERS	
<b>1590QF Enclosure</b>	
Unfinished	1590QF
Grey Textured Polyester Powder Paint - RAL 7038	1590QFGY
Black Textured Polyester Powder Paint - RAL 9011	1590QFBK
<b>1590QF Liquid Resistant Enclosure (Silicon Factory Installed Gasket)</b>	
Unfinished	1590WQF
Black Textured Powder Paint	1590WQFBK
ACCESSORIES	
<b>Recommended Torque: 75 ozf.in / 55 cN.m</b>	
Black Textured Cover Screws (Pkg 50) [6-32 x 1/2" SS Type 304]	1590WMS100BK
Unfinished Cover Screws (Pkg 100) [6-32 x 1/2" Nickel Plated Screws]	1590WMS100
Standard Cover Screws	
Unfinished Cover Screws (Pkg 100) [6-32 x 1/2" Nickel Plated Screws]	1590MS100
Black Textured Cover Screws (Pkg 50) [6-32 x 1/2" SS Type 304]	1590MS100BK

**HAMMOND MANUFACTURING™**  
1590QF  
[www.hammondmfg.com](http://www.hammondmfg.com)