

D

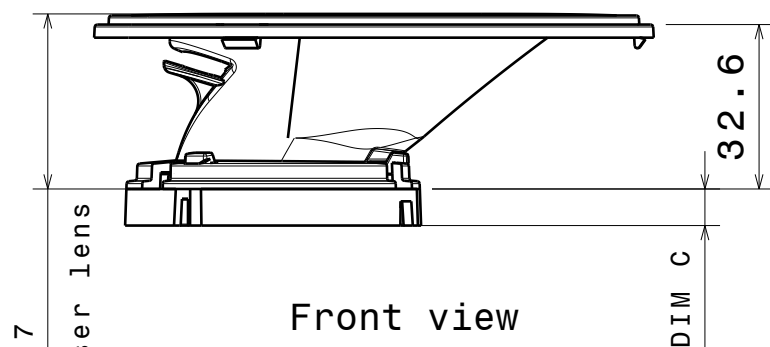
C

B

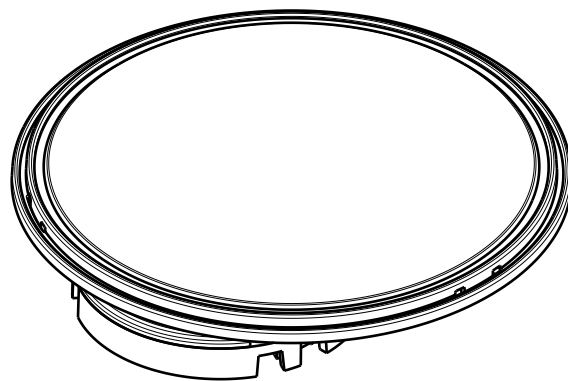
A

4

4



Front view



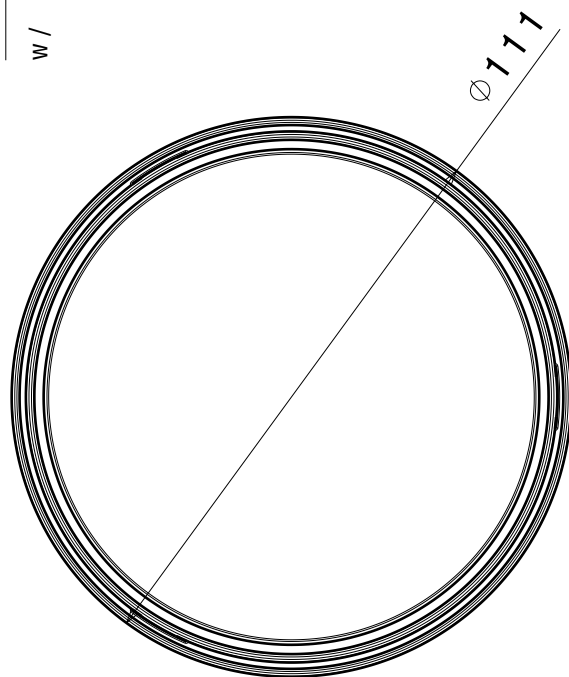
Isometric view

34.7
w/ diffuser lens

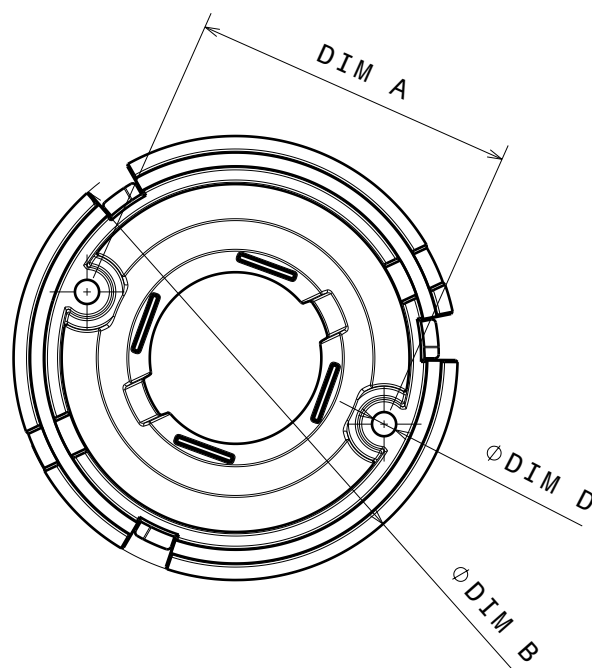
DIM C

3

3



Top view



Bottom view

2

2

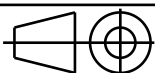
Base Part	DIM A	DIM B	DIM C	DIM D
C13186_LENA-STD-BASE-CXA15	43 mm	58,7 mm	7 mm	3,2 mm
C12924_LENA-STD-BASE-LUXEON-K	43 mm	58,2 mm	6,5 mm	3,2 mm
C13324_LENA-STD-BASE-CXA25	43 mm	58,7 mm	7,3 mm	3,2 mm
C12692_LENA-STD-BASE-CLL040	41,3 mm	58,6 mm	7,3 mm	3,2 mm
C12691_LENA-STD-BASE-CLL030	43 mm	58,6 mm	5,4 mm	3,2 mm
C11995_LENA-STD-BASE-CL340	43 mm	58,6 mm	6 mm	3 mm
C12153_LENA-STD-BASE-BXRA	43 mm	58,6 mm	6,3 mm	2,99 mm

Tolerances if not otherwise shown
According to DIN ISO 2768-1
Linear measures:
Up to 30mm class M, otherwise class C.
According to DIN ISO 2768-2
Form and position: class L

LEDiL

Ledil Oy
Salorankatu 10
FIN 24240 SALO
Finland

THIRD ANGLE PROJECTION:



DRAWING TITLE

LENA-X-WAS Datasheet

This drawing is the property
of LEDiL Oy. It may not be
reproduced, copied or
communicated without a written
agreement with LEDiL Oy.

SIZE PART NUMBER

A4

SCALE 2:3 WEIGHT - g

SHEET 1/1

1

1

D

A