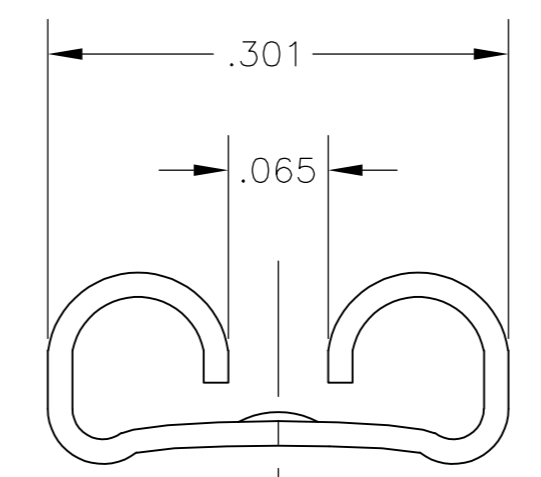
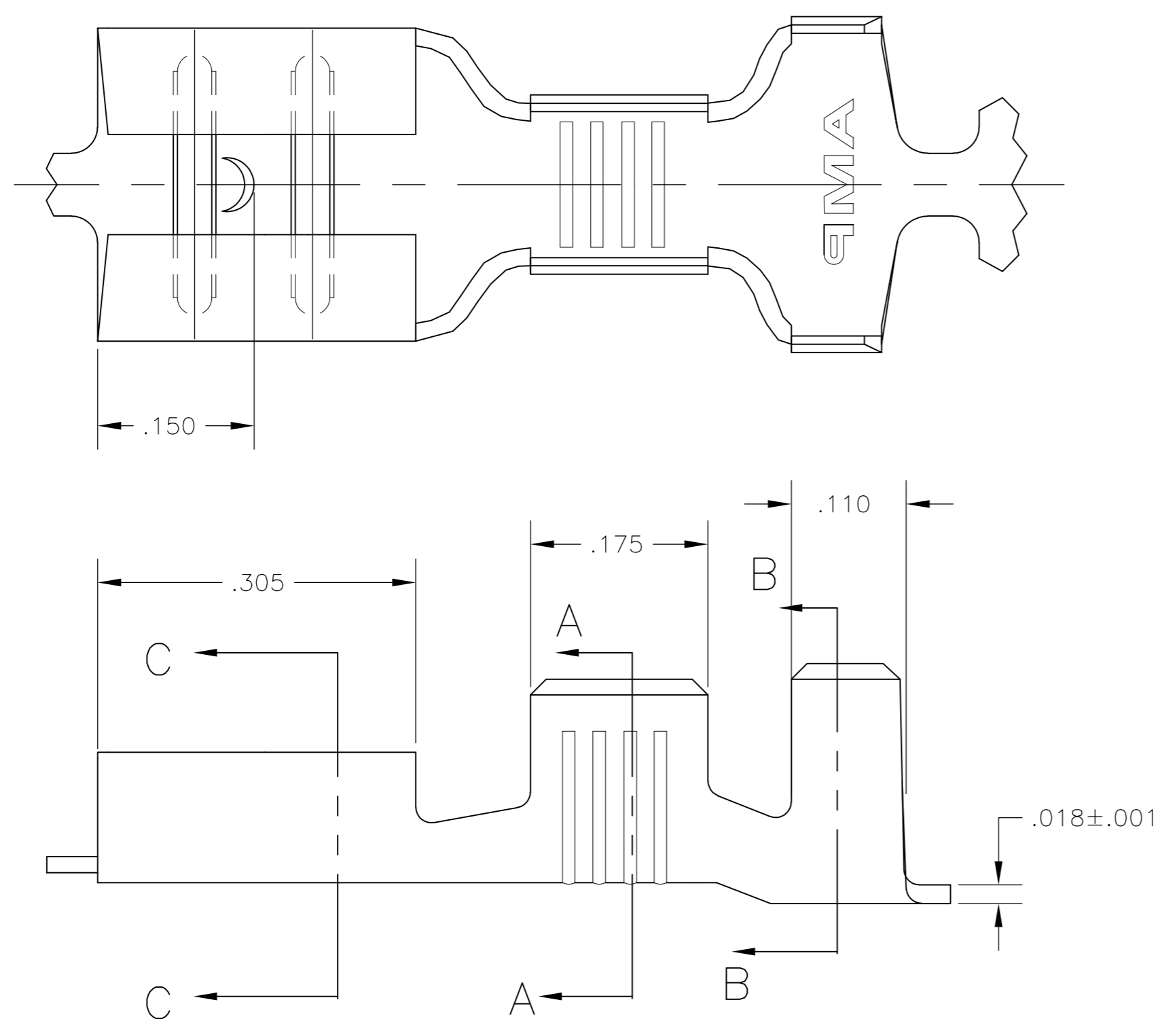


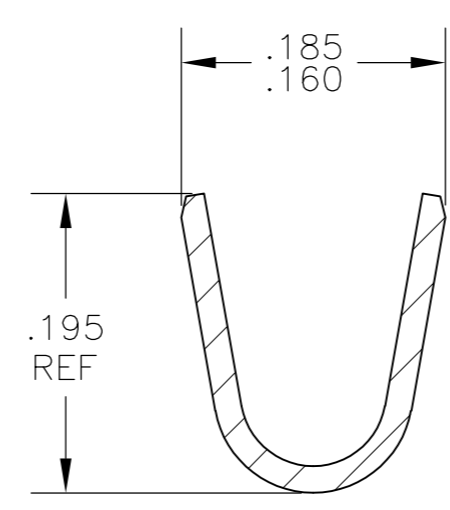
THIS DRAWING IS UNPUBLISHED. RELEASED FOR PUBLICATION
 © COPYRIGHT - By - ALL RIGHTS RESERVED.

LOC	DIST	REVISIONS			
P	LTR	DESCRIPTION	DATE	DWN	APVD
AF	50	K	REVISED PER ECR-12-013445	09NOV12	KH PD

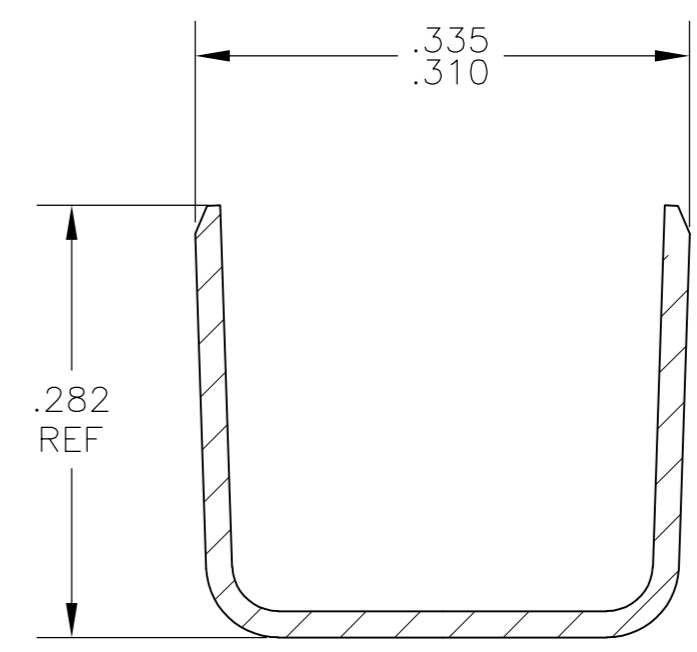
- 1 CONTINUOUS STRIP ON REELS
- 2 ACCEPTS #14#10 AWG OR TWO #14's WIRE SIZES, CRIMP WIDTH, .140, F TYPE
- 3 INSULATION RANGE IS .225-.275 DIA OR TWO AT .140 MAX. CRIMP WIDTH, .310, F TYPE
- 4 MATING TAB THK IS .032±.001.



SECTION C-C



SECTION A-A



SECTION B-B

-	60635-3
.000150 MIN SILVER	60635-2
TIN	60635-1
FINISH	PART NO

THIS DRAWING IS A CONTROLLED DOCUMENT.		DWN	JR RUTH	27JUN02	 TE Connectivity RECEPTACLE, FASTON, .250 SERIES							
DIMENSIONS: INCHES		CHK	P DESANTIS	28JUN02								
TOLERANCES UNLESS OTHERWISE SPECIFIED:		APVD	P DESANTIS	28JUN02								
0 PLC ± - 1 PLC ± - 2 PLC ± - 3 PLC ± .010 4 PLC ± - ANGLES ± - FINISH SEE TABLE		PRODUCT SPEC	-	-								
MATERIAL	BRASS	APPLICATION SPEC	-	-	SIZE	A2	CAGE CODE	00779	DRAWING NO	C=60635	RESTRICTED TO	-
CUSTOMER DRAWING		WEIGHT	-	-	SCALE	8:1	SHEET	1 of 1	REV	K		