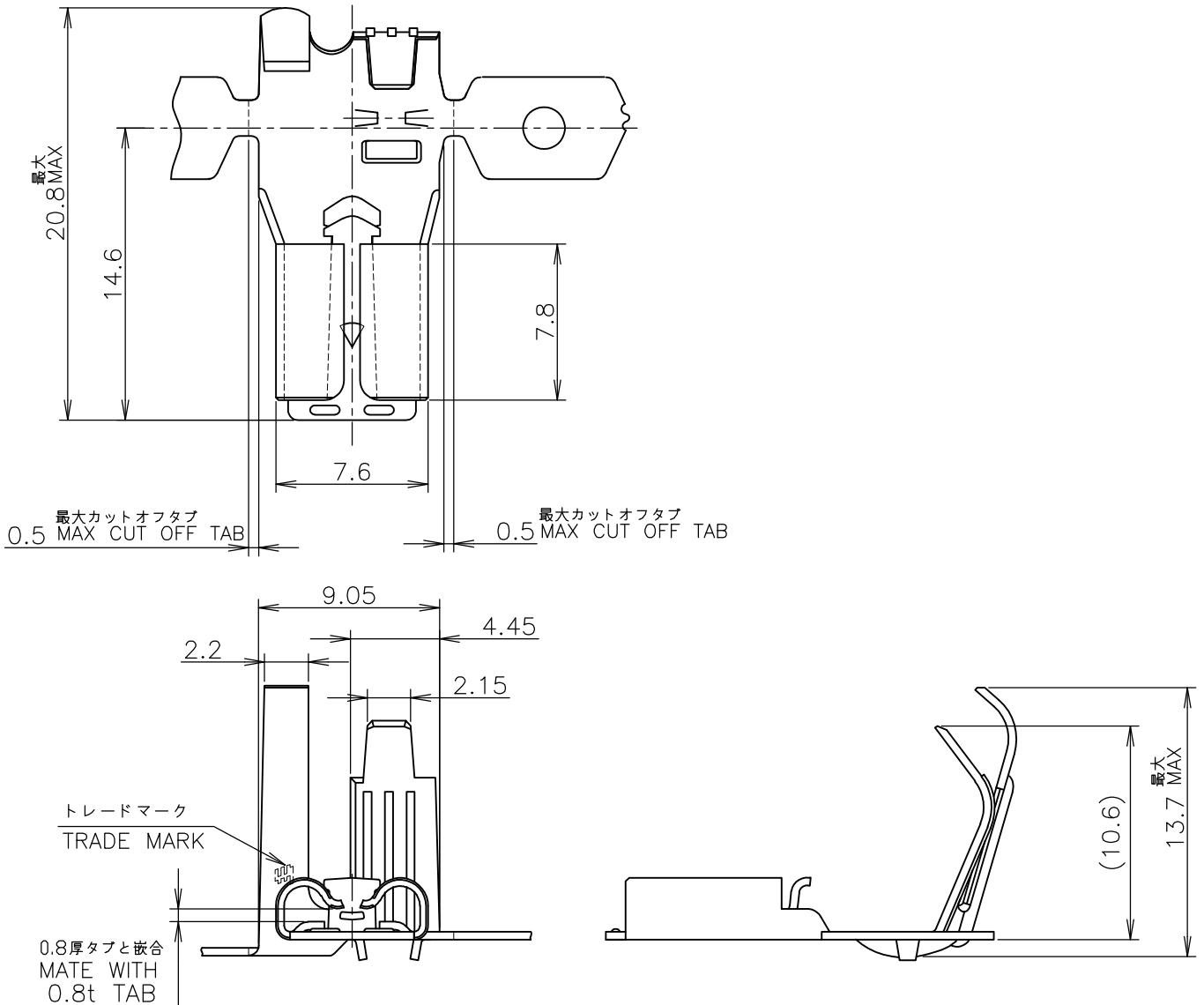


LOC J	DIST /	REVISIONS 変更			DATE	DWN	APVD
		P	LTR	DESCRIPTION			
			E	REDRAWN AND REVISED ECR-10-023816	26NOV2010	T.T	T.M

-1; AS SHOWN



	PRE TIN BRASS 0.4t 錫めっき付 黄銅 0.4t	175178-1
LOOSE PIECE NO. ばら状端子型番	MATERIAL 材料	P/N 型番

WIRE RANGE 抱合電線断面積	AWG #12-#10 3.08~5.37 mm <sup>2</sup>	INSULATION DIA 被覆外径	2.8~4.9 mm $\phi$
-----------------------	--	------------------------	-------------------

THIS DRAWING IS UNPUBLISHED.

ALL INTERNATIONAL RIGHTS RESERVED.  
COPYRIGHT 2001 BY TYCO ELECTRONICS CORPORATION.

DIMENSIONS:  
単位: 耗  
mm

TOLERANCES UNLESS OTHERWISE SPECIFIED:  
一般公差

0 PLC	±
1 PLC	± 10 ≥: ±0.2
2 PLC	± 30 ≥ > 10: ±0.25
3 PLC	± 100 ≥ > 30: ±0.3
4 PLC	±

ANGLES ± 3°

DWN	T.YAMAMOTO	15OCT2001
CHK	A.OISHI	15OCT2001
APVD	Y.KASHIWA	15OCT2001
PRODUCT SPEC 製品規格	108-5254	
APPLICATION SPEC 取付適用規格	114-5122	
WEIGHT		

MATERIAL 材料	表参照 SEE TABLE	FINISH 仕上	
Tyco Electronics Corporation Kawasaki, Japan			
NAME 名称	250 SERIES FLAG POSITIVE LOCK EX 250 シリーズ 旗型ポジティブロックEX		
SIZE	CAGE CODE	DRAWING NO 番号	RESTRICTED TO
A4	00779	C-175178	

CUSTOMER DRAWING	SCALE 尺度	NTS	SHEET	1 OF 1	REV	E
------------------	-------------	-----	-------	--------	-----	---