

THIS DRAWING IS UNPUBLISHED. RELEASED FOR PUBLICATION

© COPYRIGHT BY TYCO ELECTRONICS CORPORATION. ALL RIGHTS RESERVED.

LOC GZ DIST 00

REVISIONS

P	LTR	DESCRIPTION	DATE	DWN	APVD
C		ECO720-0447-04	13JUL04	MD	KH

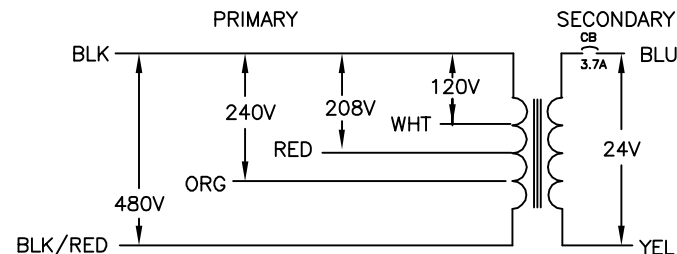
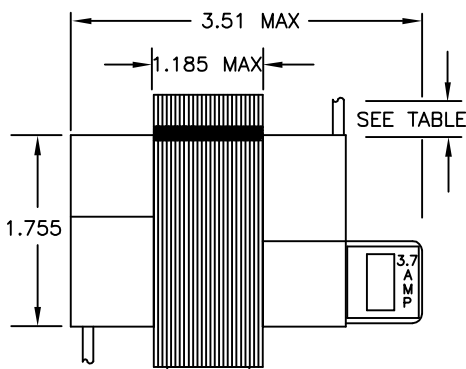
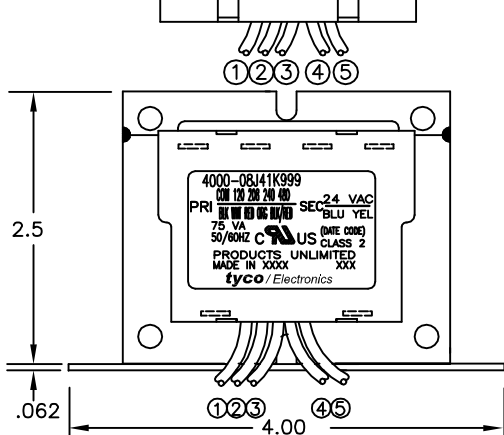
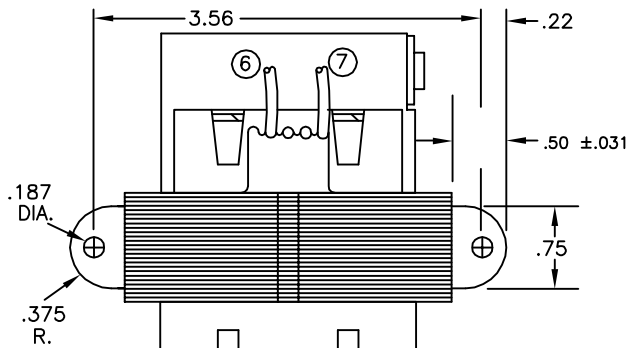
ALL LEADS 18AWG--UNLESS OTHERWISE SPECIFIED

PRIMARY					
LEAD NO.	1	2	3	4	5
VOLTAGE	COM	120	208	240	480
COLOR	BLK	WHT	RED	ORG	BLK/RED
LENGTH	12.0	12.0	12.0	12.0	12.0
STRIP LENGTH	.50	.50	.50	.50	.50

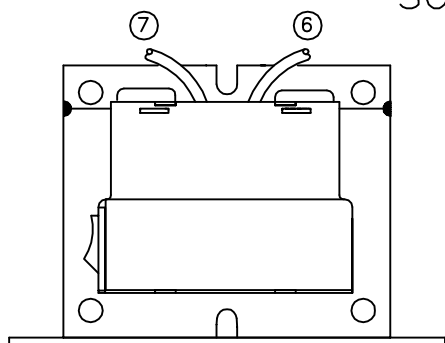
NOTES
 1. DIMENSIONS FOR REFERENCE ONLY.
 2. ALL LEADS +1"/-0" TOL.
 3. STRIP TOL. ±1/32
 4. WINDING PROTECTION--
 3.7 AMP CIRCUIT BREAKER
 IN SECONDARY
 NON-INHERENTLY LIMITED

CERTIFICATION:
 UL & CUL FILE NO. E87824

SECONDARY				
LEAD NO.	6	7	8	9
VOLTAGE	24	VAC		
COLOR	BLU	YEL		
LENGTH	12.0	12.0		
STRIP LENGTH	.50	.50		



SCHEMATIC



TYCO PART NUMBER
 6-1611468-4

THIS DRAWING IS A CONTROLLED DOCUMENT.		DWN K.H. 10FEB1997	Products Tyco Electronics Corporation Harrisburg, PA 17105-3608	
DIMENSIONS: INCHES	TOLERANCES UNLESS OTHERWISE SPECIFIED:	CHK -	APVD -	NAME -
	0 PLC ± -	PRODUCT SPEC -	TRANSFORMER OUTLINE	
	1 PLC ± -	APPLICATION SPEC -	SIZE A3	CAGE CODE 00779
	2 PLC ± -	WEIGHT -	DRAWING NO C= 4000-08J41K999	
	3 PLC ± -	CUSTOMER DRAWING	RESTRICTED TO -	SCALE NONE
MATERIAL -	FINISH -	SHEET 1 OF 1		REV C