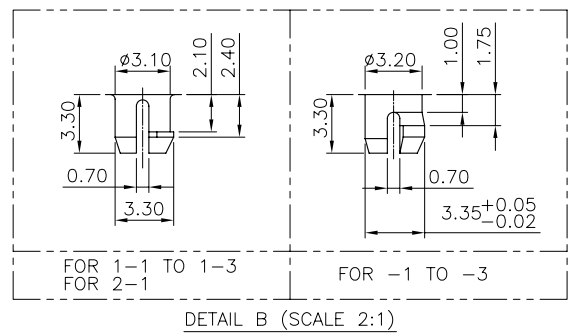
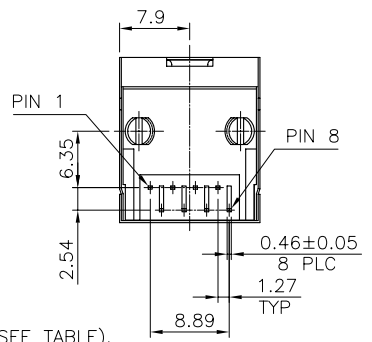
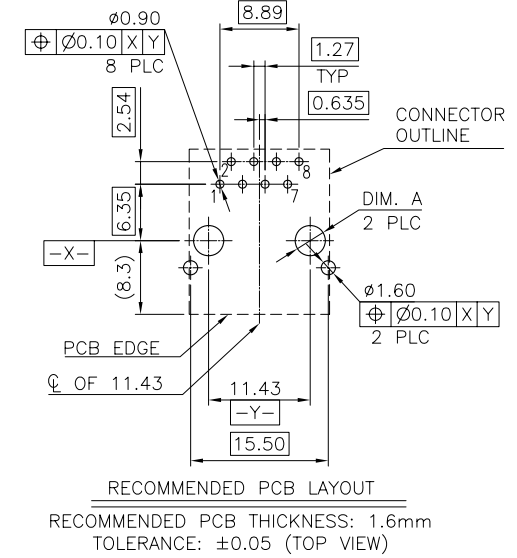
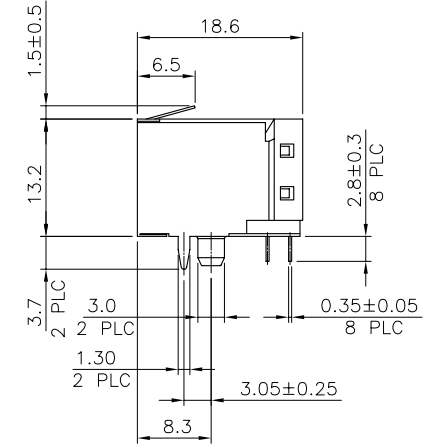
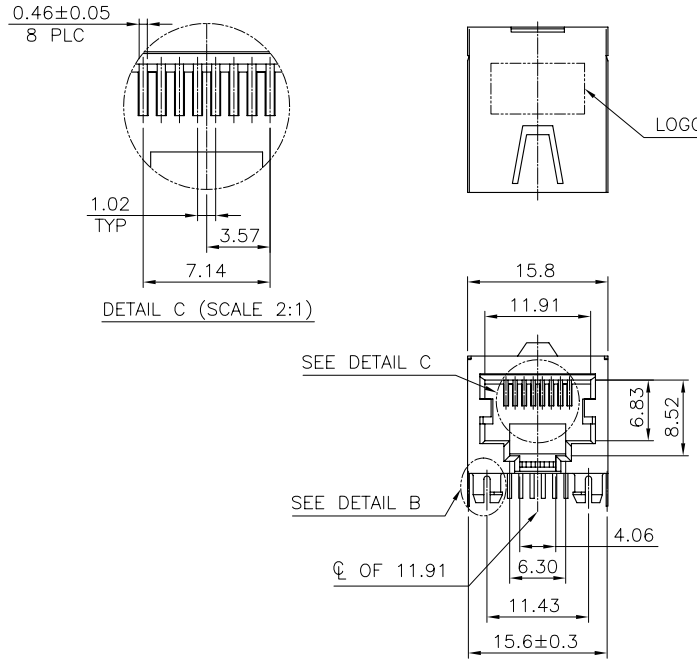


LOC	DIST	REVISIONS			
P	LTR	DESCRIPTION	DATE	DWN	APVD
DW	-				
	A2	REVISED (ECR-11-012100)	10JUN11	SC	WK



- NOTE:
- MATERIAL:
 HOUSING: PA46, WITH 30% GF,
 UL 94V-0, COLOR : (SEE TABLE).
 CONTACTS: PHOSPHOR BRONZE.
 SHELL: BRASS.
 - FINISH:
 CONTACTS: (SEE TABLE) GOLD PLATED ON CONTACT AREA,
 GOLD FLASH ON SOLDER TAIL,
 WITH ENTIRE CONTACT UNDERPLATED
 1.27µm [50µ"] MIN. NICKEL.
 SHELL: 0.508µm [20µ"] MIN. NICKEL PLATED.
 - WAVE SOLDER CAPABLE TO 265°C PER TE SPEC 109-202, CONDITION B.

⚠️ OBSOLETE PARTS: OBSOLETE CIS STREAMLINING PER D.RENAUD/D.SINISI

HOUSING COLOR	DIM. A	MIN. GOLD THICKNESS	PART NUMBER
⚠️ OBSOLETE BLACK ⚠️	Ø3.20	0.381µm [15µ"]	2-1734264-1
		1.27µm [50µ"]	1-1734264-3
	Ø3.20	0.762µm [30µ"]	1-1734264-2
		0.381µm [15µ"]	1-1734264-1
	Ø3.40	1.27µm [50µ"]	1-1734264-3
		0.762µm [30µ"]	1-1734264-2
Ø3.40	0.381µm [15µ"]	1-1734264-1	

THIS DRAWING IS A CONTROLLED DOCUMENT.		DWN B. HSING	01JUL2009	TE Connectivity MODULAR JACK, RJ45, 8P8C, SIDE ENTRY, RIGHT ANGLE, WITH PANEL GROUND, LOW PROFILE	
DIMENSIONS: MM		CHK S. CHIEN	01JUL2009		
TOLERANCES UNLESS OTHERWISE SPECIFIED:		APVD W. KODAMA	01JUL2009		
0 PLC ± - 1 PLC ± 0.30 2 PLC ± 0.20 3 PLC ± 0.15 4 PLC ± - ANGLES ± 3°		NAME 108-57527	PRODUCT SPEC		
MATERIAL SEE NOTE		APPLICATION SPEC 501-57604	WEIGHT 4.95 GRAMS	SIZE A3	CAGE CODE 00779
SEE NOTE		CUSTOMER DRAWING		DRAWING NO C=1734264	RESTRICTED TO -
				SCALE -	SHEET 1 OF 2
				REV A2	

4

3

2

1

THIS DRAWING IS UNPUBLISHED.

RELEASED FOR PUBLICATION

AUG., 2006.

© COPYRIGHT BY TYCO ELECTRONICS CORPORATION.

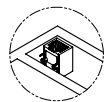
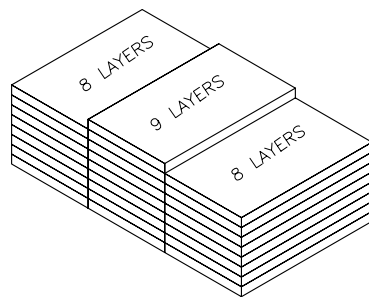
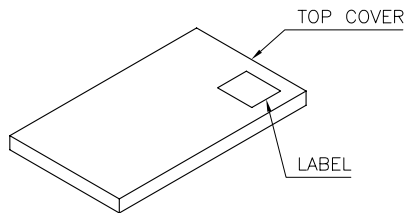
ALL RIGHTS RESERVED.

LOC DW

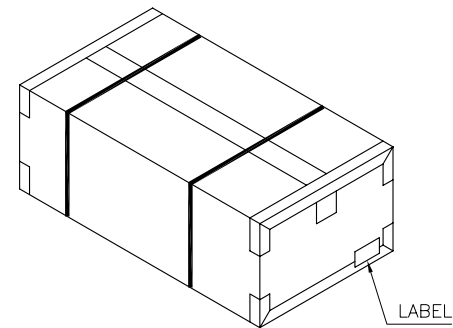
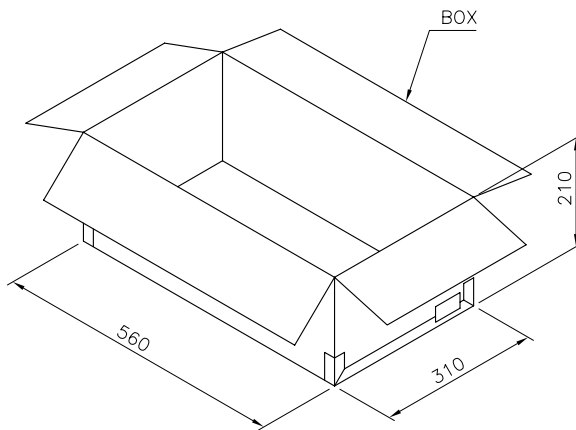
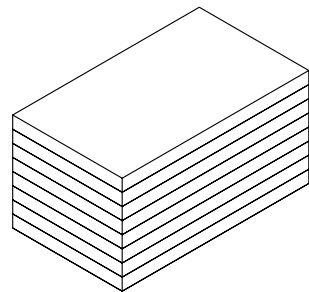
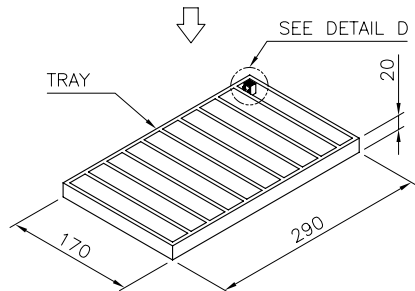
DIST

REVISIONS

P	LTR	DESCRIPTION	DATE	DWN	APVD
		SEE SHEET 1.			



DETAIL D



14.4 Kg	12.4 Kg	100	25	2500 PCS
GROSS WEIGHT (Ref.)	NET WEIGHT (Ref.)	PCS/TRAY	TRAYS /BOX	QUANTITY

THIS DRAWING IS A CONTROLLED DOCUMENT.		DWN			
DIMENSIONS: MM		CHK			
TOLERANCES UNLESS OTHERWISE SPECIFIED:		APVD	NAME		
0 PLC ± -		PRODUCT SPEC	MODULAR JACK, RJ45, 8P8C, SIDE ENTRY, RIGHT ANGLE, WITH PANEL GROUND, LOW PROFILE		
1 PLC ± -		APPLICATION SPEC	SIZE	CAGE CODE	DRAWING NO
2 PLC ± -		WEIGHT	A3	00779	G=1734264
3 PLC ± -		CUSTOMER DRAWING	RESTRICTED TO		
4 PLC ± -		SCALE	SHEET 2 OF 2		
ANGLES ± -		SCALE	REV A2		
FINISH					