

## Controller - PLC-V8C/PT-24DC/BM - 2905135

Please be informed that the data shown in this PDF Document is generated from our Online Catalog. Please find the complete data in the user's documentation. Our General Terms of Use for Downloads are valid (<http://phoenixcontact.com/download>)



PLC logic basic logic module with 16 I/Os for plug-in connection to 8 PLC-INTERFACE terminal blocks, can be extended to 48 I/Os, integrated realtime clock, connection to PC via micro USB socket, accommodates external memory block, push-in connection



### Key Commercial Data

Packing unit	1 pc
Weight per Piece (excluding packing)	140.0 g
Custom tariff number	85389099
Country of origin	Germany

### Technical data

#### Note

Utilization restriction	EMC: class A product, see manufacturer's declaration in the download area
-------------------------	---

#### Power supply

Supply voltage	24 V DC
Supply voltage range	19.2 V DC ... 26.4 V DC
Maximum input current at $U_N$	120 mA
Protective circuit	Protection against polarity reversal
	Surge protection
Status display	Green LED

#### Input data (digital)

Number of inputs	8 (2 configurable as analog)
Description of the input	EN 61131-2, type 3
Input voltage	24 V DC
Signal level "0" signal	< 5 V
Signal level "1" signal	> 11 V

## Controller - PLC-V8C/PT-24DC/BM - 2905135

### Technical data

#### Input data (digital)

Input current "0" signal	< 1 mA
Input current "1" signal	typ. 2.5 mA
Status display	Yellow LED

#### Input data (analog)

Number of inputs	2 (IN6 and IN7 are configurable as analog)
Input voltage range	0 V ... 10 V
Input resistance	> 3.5 kΩ

#### Input data (PLC-INTERFACE)

Number of inputs	≤ 8
Description of the input	technical data depends on the PLC used
Input voltage	19 V DC
Typical current consumption	4 mA
Input resistance	< 100 mΩ

#### Output data

Number of outputs	≤ 8
Nominal output voltage	24 V DC
Nominal current	9 mA

#### General

Realtime clock accuracy	±2 s/d
Realtime clock buffer time	24 h (Capacitor)
Color	green
Mounting position	any
Assembly instructions	Can be plugged onto 8 x PLC-INTERFACE
Operating mode	100% operating factor
Degree of protection	IP20

#### Standards/regulations

Designation	Air clearances and creepage distances between the power circuits
Standards/regulations	DIN EN 50178
Rated insulation voltage	50 V
Rated surge voltage	0.8 kV
Insulation	Basic insulation
Pollution degree	2
Overvoltage category	III

#### Connection data (supply and digital inputs)

Connection method	Push-in connection
-------------------	--------------------

## Controller - PLC-V8C/PT-24DC/BM - 2905135

### Technical data

#### Connection data (supply and digital inputs)

Stripping length	9 mm
Conductor cross section solid	0.14 mm <sup>2</sup> ... 1.5 mm <sup>2</sup>
Conductor cross section flexible	0.14 mm <sup>2</sup> ... 1.5 mm <sup>2</sup>
	0.25 mm <sup>2</sup> ... 0.5 mm <sup>2</sup> (Ferrule with plastic sleeve)
	0.25 mm <sup>2</sup> ... 1.5 mm <sup>2</sup> (Ferrules without plastic sleeve)
AWG conductor cross section	26 ... 16
Number of connections	1
Number of positions	10
Note	Device supply and 8 x inputs

#### Connection data (programming interface)

Connection method	Micro USB type B
Number of connections	1

#### Connection data (INTERFACE system)

Connection method	Spring-cage connection
Stripping length	6 mm
Conductor cross section solid	0.14 mm <sup>2</sup> ... 0.5 mm <sup>2</sup>
Conductor cross section flexible	0.2 mm <sup>2</sup> ... 0.5 mm <sup>2</sup>
AWG conductor cross section	26 ... 20
Number of connections	1
Number of positions	3

#### Connection data (PLC V8C bus)

Connection method	Insulation displacement connection
Number of connections	1
Number of positions	4

#### Connection data (memory)

Connection method	S-PORT (socket)
Number of connections	1
Number of positions	12
Note	For connecting the memory module

#### Ambient conditions

Ambient temperature (operation)	-20 °C ... 45 °C
Ambient temperature (storage/transport)	-20 °C ... 70 °C
Max. permissible relative humidity (operation)	95 %

#### Dimensions

Width	50 mm
-------	-------

# Controller - PLC-V8C/PT-24DC/BM - 2905135

## Technical data

### Dimensions

Height	111 mm
Depth	87 mm

## Classifications

### eCl@ss

eCl@ss 5.1	27250313
eCl@ss 6.0	27242608
eCl@ss 8.0	27242216

### ETIM

ETIM 4.0	EC001417
ETIM 5.0	EC001417

## Approvals

### Approvals

---

#### Approvals

UL Listed / cUL Listed / EAC / cULus Listed

---


#### Ex Approvals

---

#### Approvals submitted

---

## Approval details

UL Listed 
---

cUL Listed 
--

EAC
-----

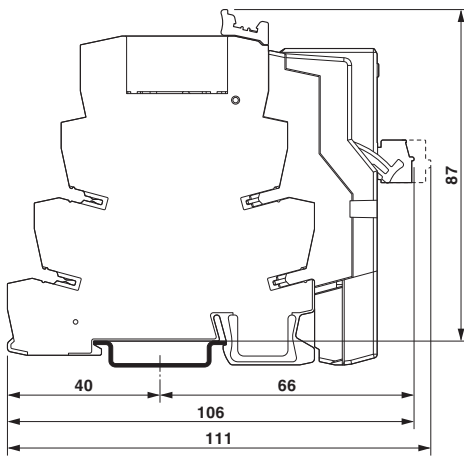
# Controller - PLC-V8C/PT-24DC/BM - 2905135

## Approvals

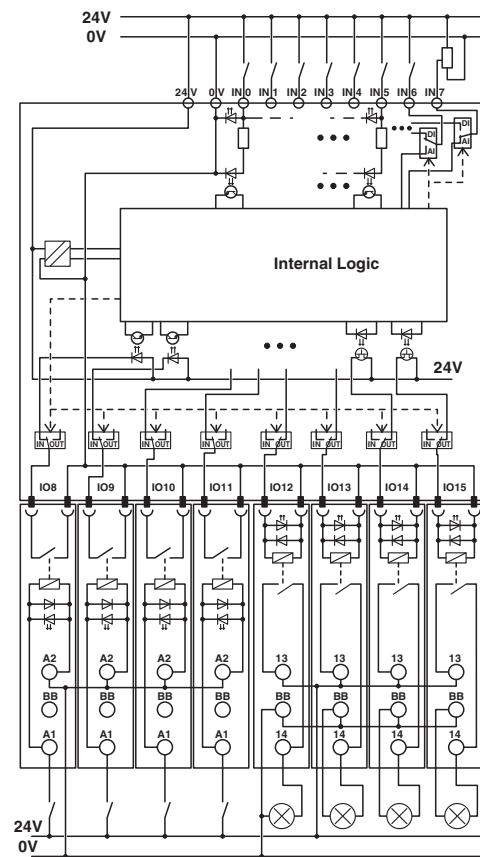
cULus Listed

## Drawings

Dimensional drawing

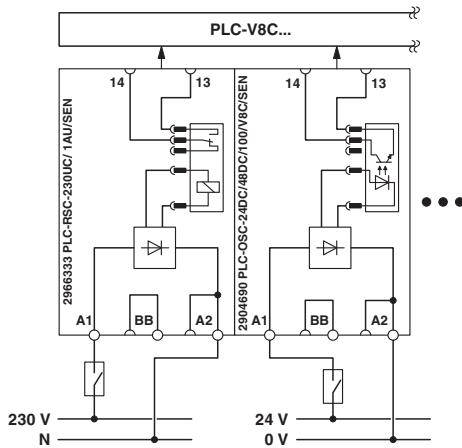


Circuit diagram

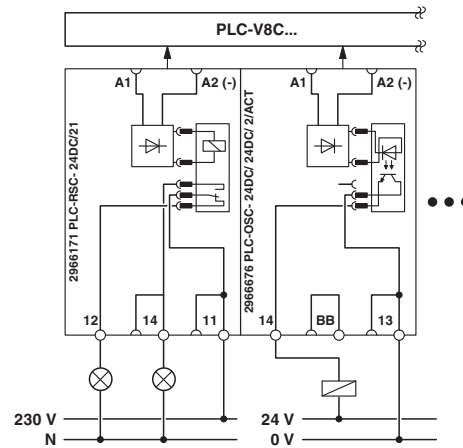


# Controller - PLC-V8C/PT-24DC/BM - 2905135

Circuit diagram



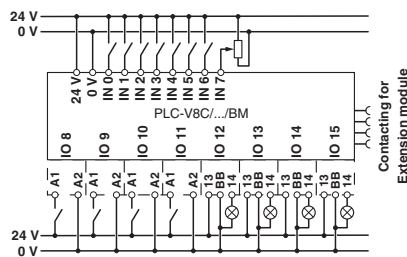
Circuit diagram



Basic circuit diagram: inputs via PLC-INTERFACE with the example of one input terminal block with relay (230 V AC) and one input terminal block with solid-state relay (24 V DC).

Basic circuit diagram: outputs via PLC-INTERFACE with the example of an output terminal block with relay, 1 PDT, and an output terminal block with solid-state relay.

Connection diagram



# Controller - PLC-V8C/PT-24DC/BM - 2905135

Circuit diagram

