

DETAILS

| | |
|------------------------|----------------------|
| Product Number | CA13753_STRADA-SQ-FW |
| Family | Strada |
| Type | Assembly |
| Color | clear |
| Diameter | 25 + 25 mm |
| Height | 15,4 mm |
| Style | square |
| Optic Material | PMMA |
| Holder Material | |
| Fastening | pin, screw, tape |
| Status | production ready |
| ROHS Compliant | Yes |
| Date Updated | 11/01/2016 |

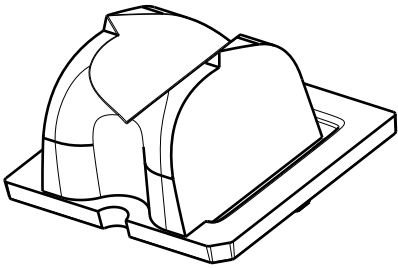


OPTICAL PROPERTIES

| LED | Viewing Angle | Light Beam | Efficiency | cd/lm | Connector |
|----------------------------------|-----------------|------------|------------|------------|-----------|
| MK-R | Asymmetric deg | Asymmetric | sim: 89 % | - | - |
| XHP50 | Asymmetric deg | Asymmetric | 92 % | 0.670 | - |
| LUXEON M/MX | Asymmetric deg | Asymmetric | 89 % | 0.615 | - |
| LUXEON MZ | asymmetric deg | Asymmetric | 90 % | 0.730 | - |
| LUXEON XR-M linear 1x3, 1x4, 1x5 | Asymmetric deg | Asymmetric | 90 % | 0.620 | - |
| Duris S10 | Asymmetric deg | Asymmetric | 89 % | 0.590 | - |
| Duris P10 | sim: Asymmetric | Asymmetric | sim: 91 % | sim: 1.100 | - |

D C B A

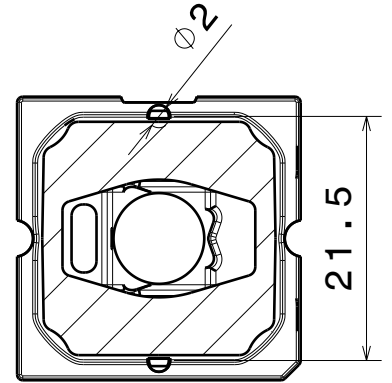
4



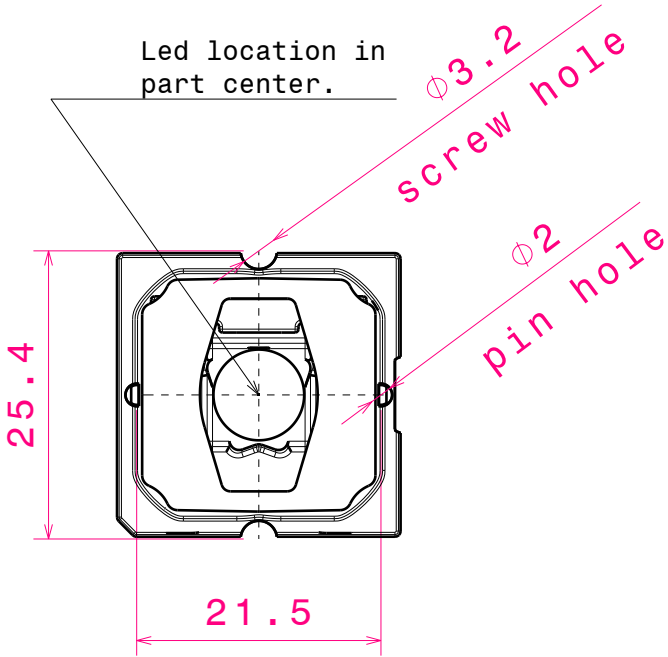
Isometric view

4

Bottom view

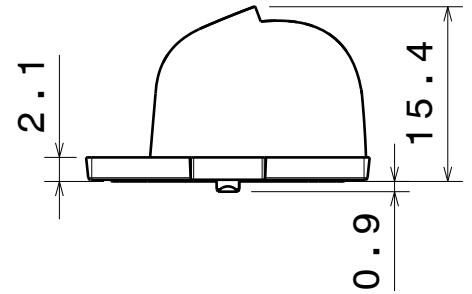


Led location in part center.



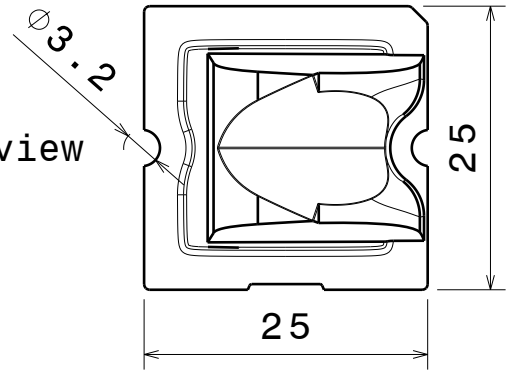
PCB suggestion

Front view



3

Top view



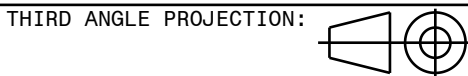
2

2

| INDEX | PART NO | DESCRIPTION | MATERIAL | COLOUR |
|-------|---------|--------------|-----------------------------|--------|
| 1 | CA13753 | STRADA-SQ-FW | PMMA / PU double sided tape | |

Tolerances if not otherwise shown
 According to DIN ISO 2768-1
 Linear measures:
 Up to 30mm class M, otherwise class C.
 According to DIN ISO 2768-2
 Form and position: class L

LEDiL
 Ledil Oy
 Salorankatu 10
 FIN 24240 SALO
 Finland



THIRD ANGLE PROJECTION:
 DRAWING TITLE
CA13753_STRADA-SQ-FW

This drawing is the property of LEDiL Oy. It may not be reproduced, copied or communicated without a written agreement with LEDiL Oy."

SIZE PART NUMBER
A4 CA13753

SCALE 1:1 WEIGHT - g SHEET 1/1

1

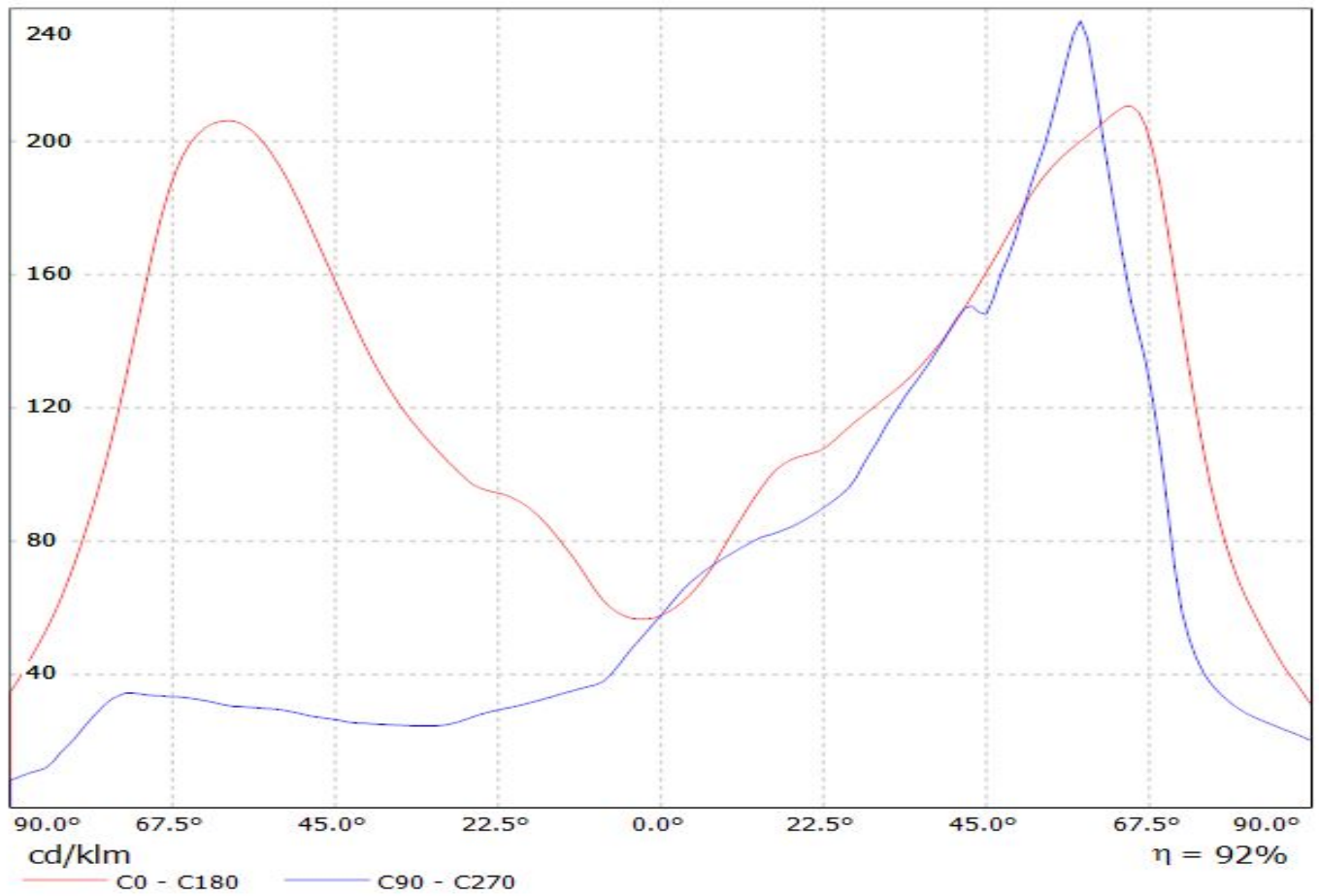
1

D

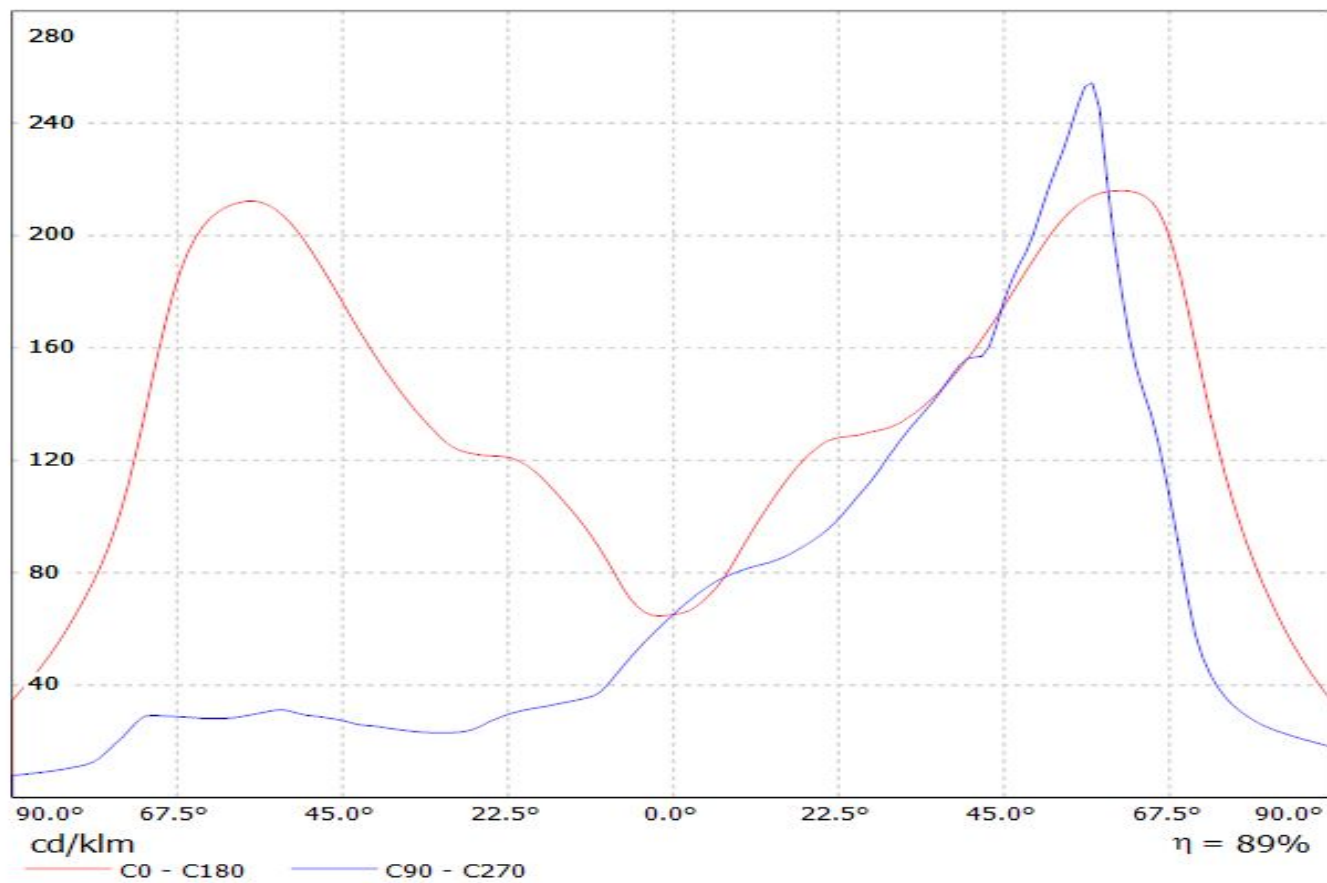
A

Luminaire: LEDiL Oy CA13753_STRADA-SQ-FW_(XHP50_cool_white)

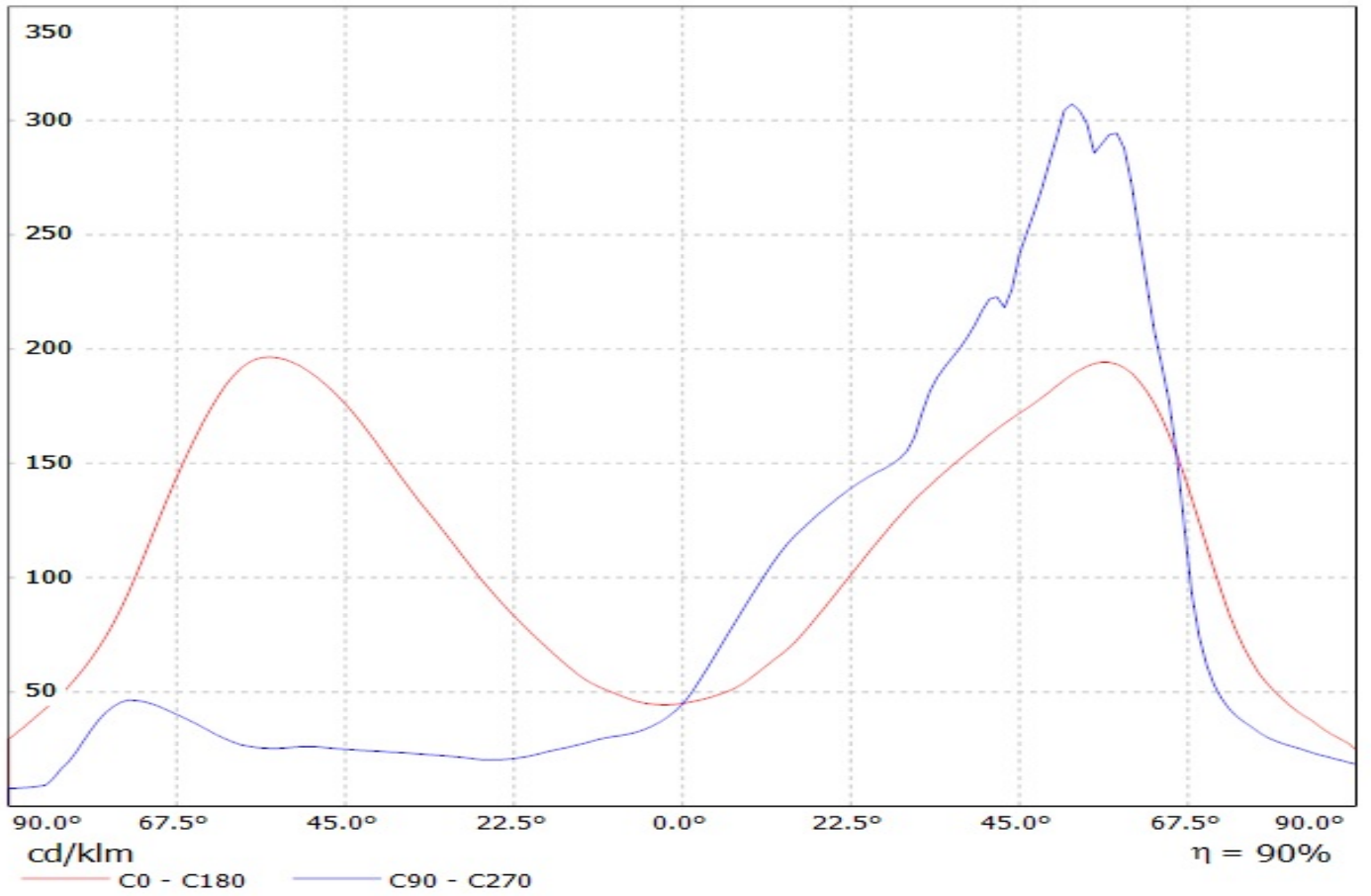
Lamps: 1 x CREE_XHP50_cool_white_246.221lm@250mA_P=1.42945W_I=249.9mA



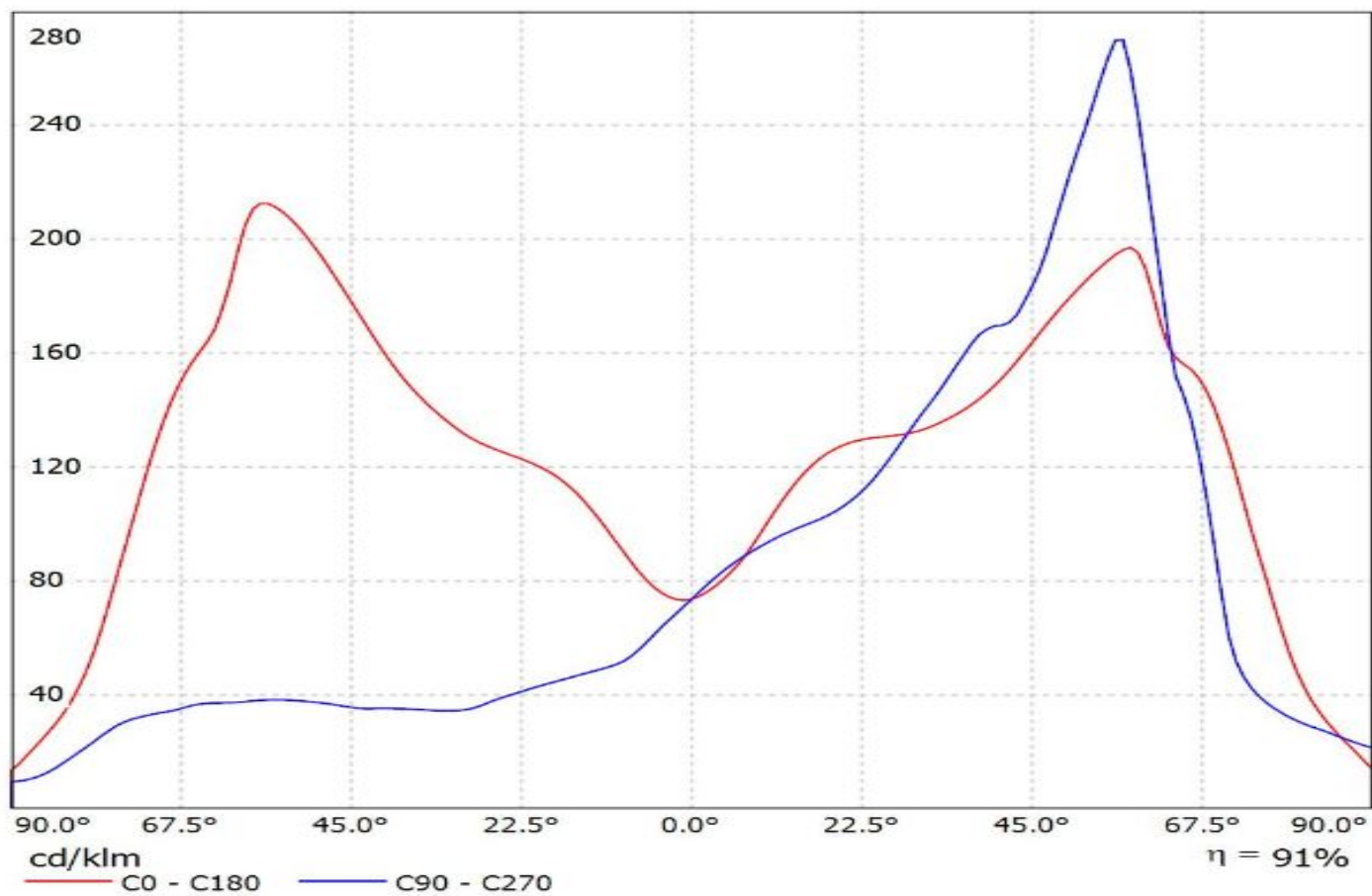
Luminaire: LEDiL Oy CA13753_STRADA-FW_(Luxeon_M)
Lamps: 1 x Luxeon_M_349.375lm@250mA_CCT=4092K_P=2.72866W_I=249.9mA



Luminaire: LEDiL Oy CA13753_STRADA-SQ-FW_(Luxeon_MZ) Eff: 90%
Lamps: 1 x LUXEON-MZ_263.073lm@250mA_P=2.7399W_I=249.9mA

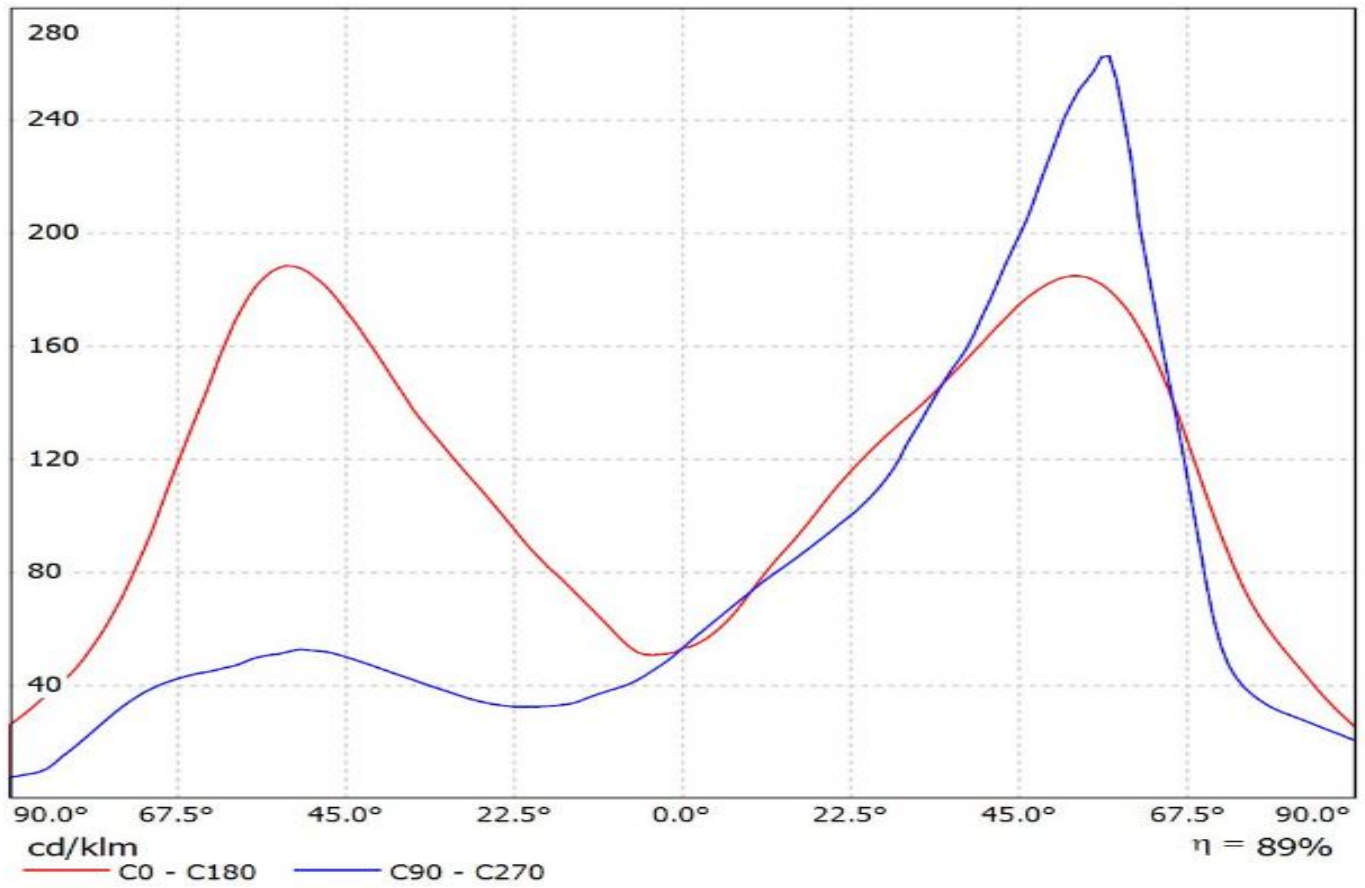


Luminaire: Ledil CA13753_STRADA-SQ-FW_(LUXEON_XR-M_Linear_1x4)
Lamps: 1 x Lumiled_LUXEON_XR-M_Linear_1x4_1798.32lm@250mA_P=11.005W_I=0.25A



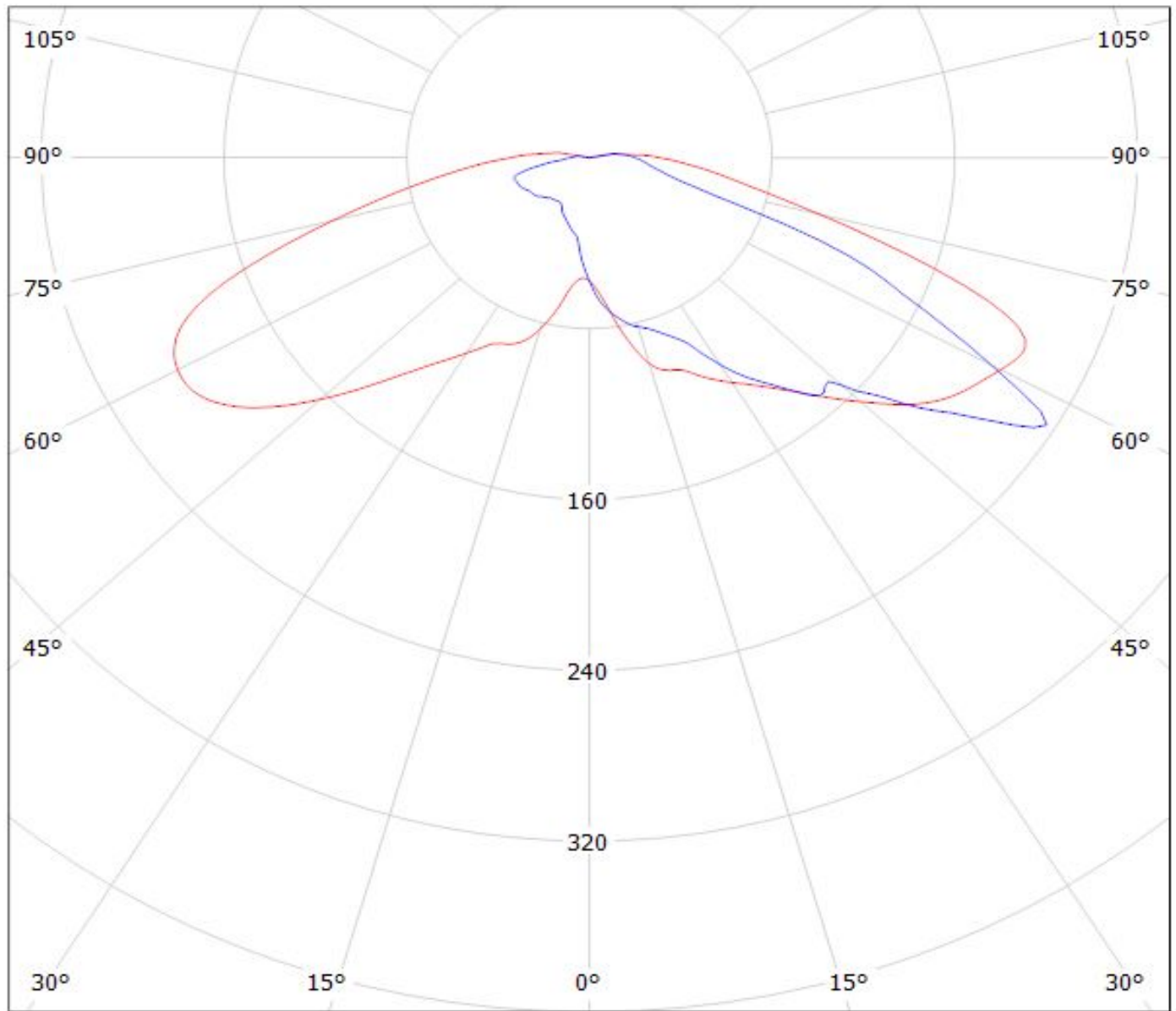
Luminaire: Ledil CA13753_STRADA-SQ-FW_(Duris_S10)

Lamps: 1 x Osram_Duris_S10_(GW-P7LP32.EM)_992.375lm@250mA_P=9.2362W_I=0.25A



Luminaire: LEDiL Oy CA13753_STRADA-SQ-FW_(XHP50_cool_white)

Lamps: 1 x CREE_XHP50_cool_white_246.221lm@250mA_P=1.42945W_I=249.9mA



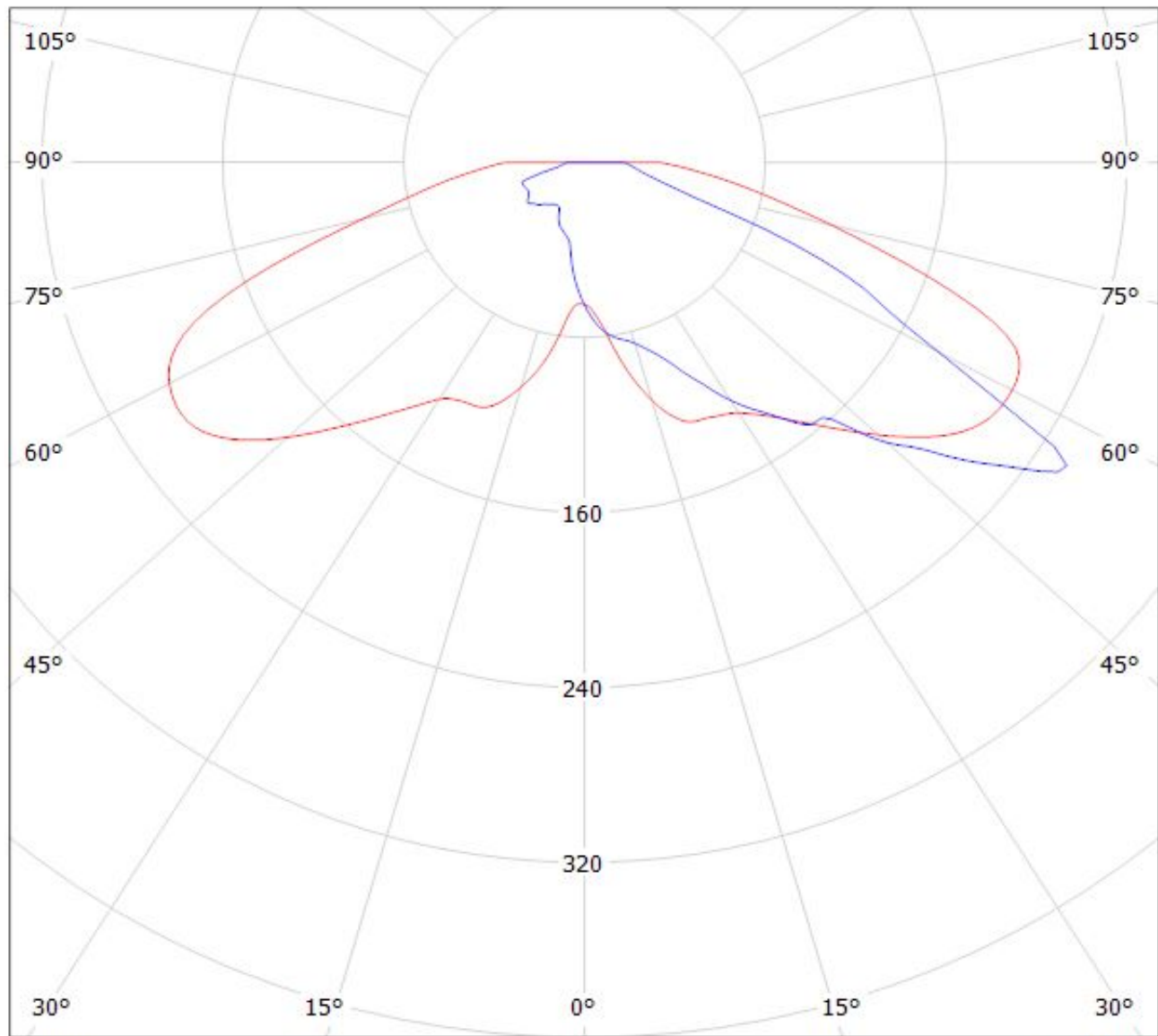
cd/klm

— C0 - C180 — C90 - C270

$\eta = 92\%$

Luminaire: LEDiL Oy CA13753_STRADA-FW_(Luxeon_M)

Lamps: 1 x Luxeon_M_349.375lm@250mA_CCT=4092K_P=2.72866W_I=249.9mA



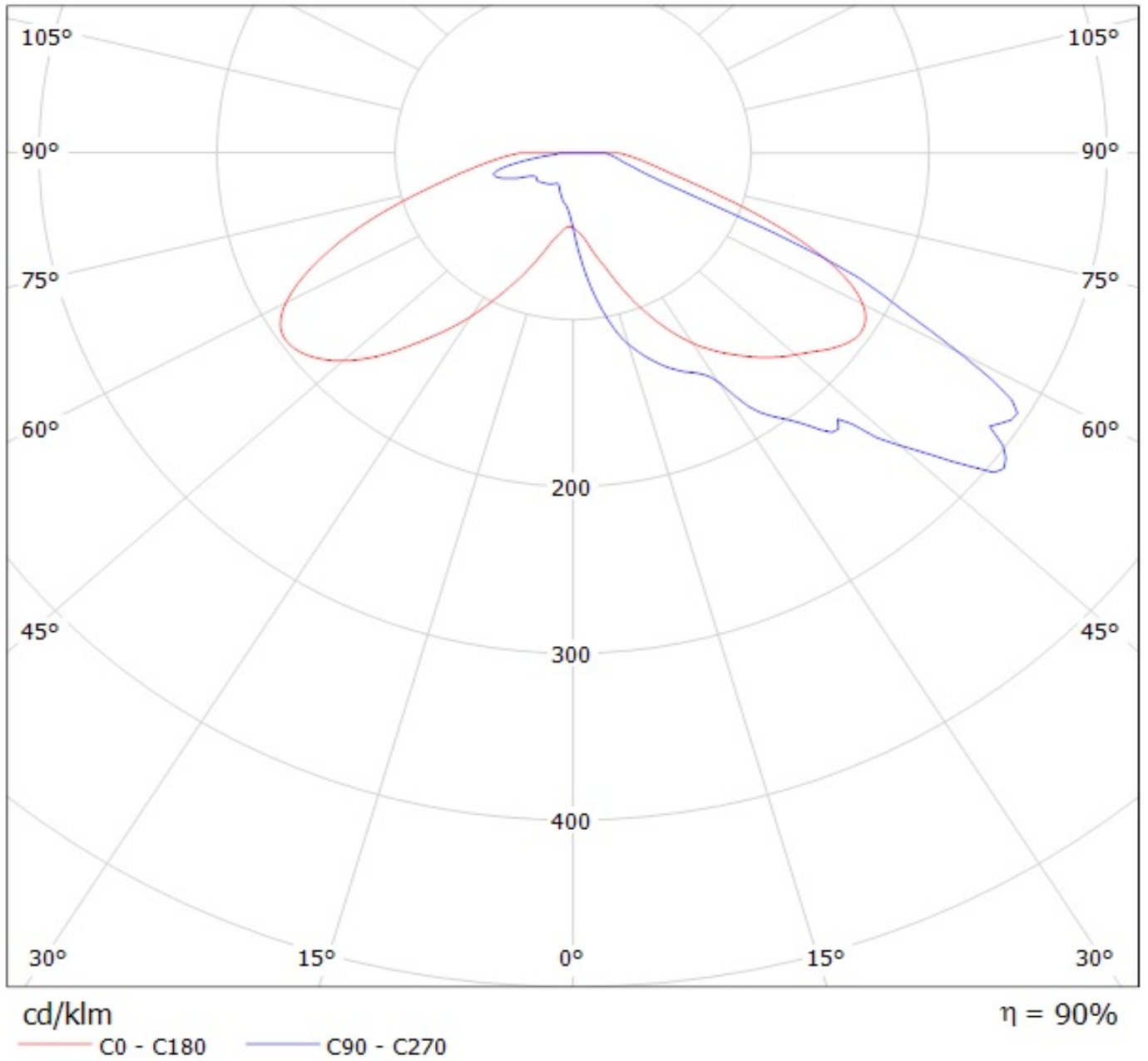
cd/klm

— C0 - C180

— C90 - C270

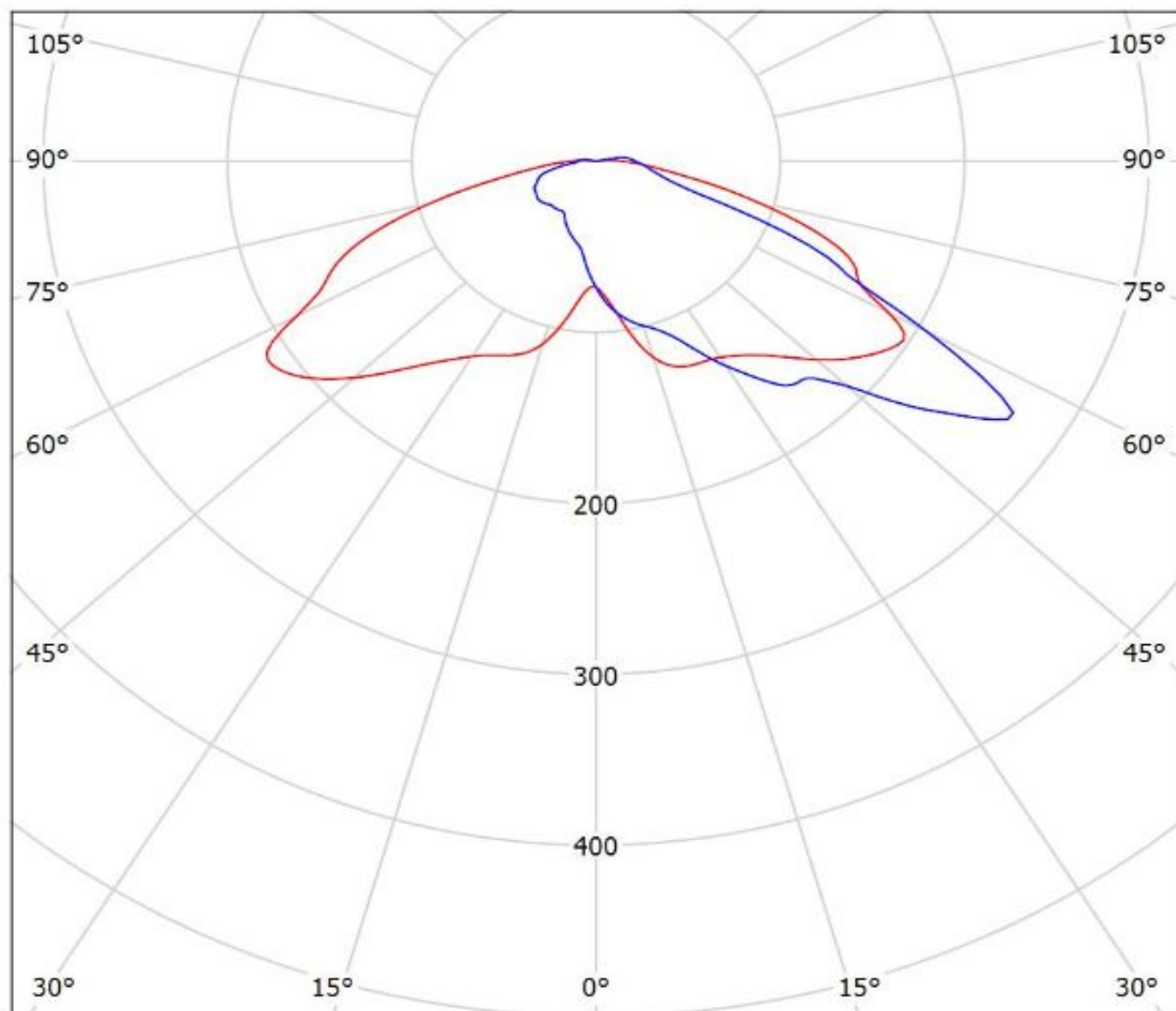
$\eta = 89\%$

Luminaire: LEDiL Oy CA13753_STRADA-SQ-FW_(Luxeon_MZ) Eff: 90%
Lamps: 1 x LUXEON-MZ_263.073lm@250mA_P=2.7399W_I=249.9mA



Luminaire: Ledil CA13753_STRADA-SQ-FW_(LUXEON_XR-M_Linear_1x4)

Lamps: 1 x Lumiled_LUXEON_XR-M_Linear_1x4_1798.32lm@250mA_P=11.005W_I=0.25A



cd/klm

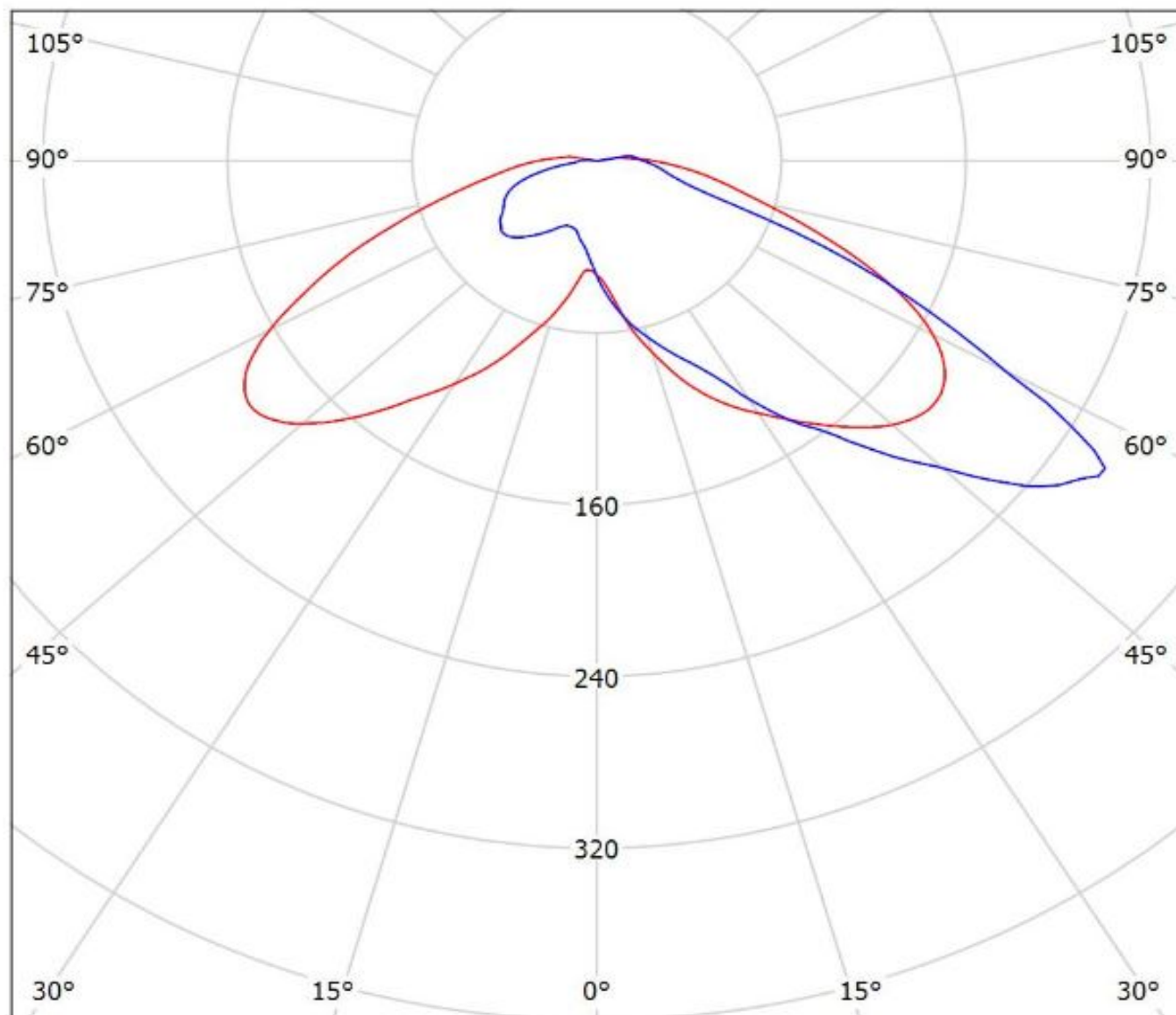
— C0 - C180

— C90 - C270

$\eta = 91\%$

Luminaire: Ledil CA13753_STRADA-SQ-FW_(Duris_S10)

Lamps: 1 x Osram_Duris_S10_(GW-P7LP32.EM)_992.375lm@250mA_P=9.2362W_I=0.25A



cd/klm

— C0 - C180

— C90 - C270

$\eta = 89\%$

NOTE: The typical divergence will be changed by different color, chip size and chip position tolerance. The typical total divergence is the full angle measured where the luminous intensity is half of the peak value.