

DETAILS

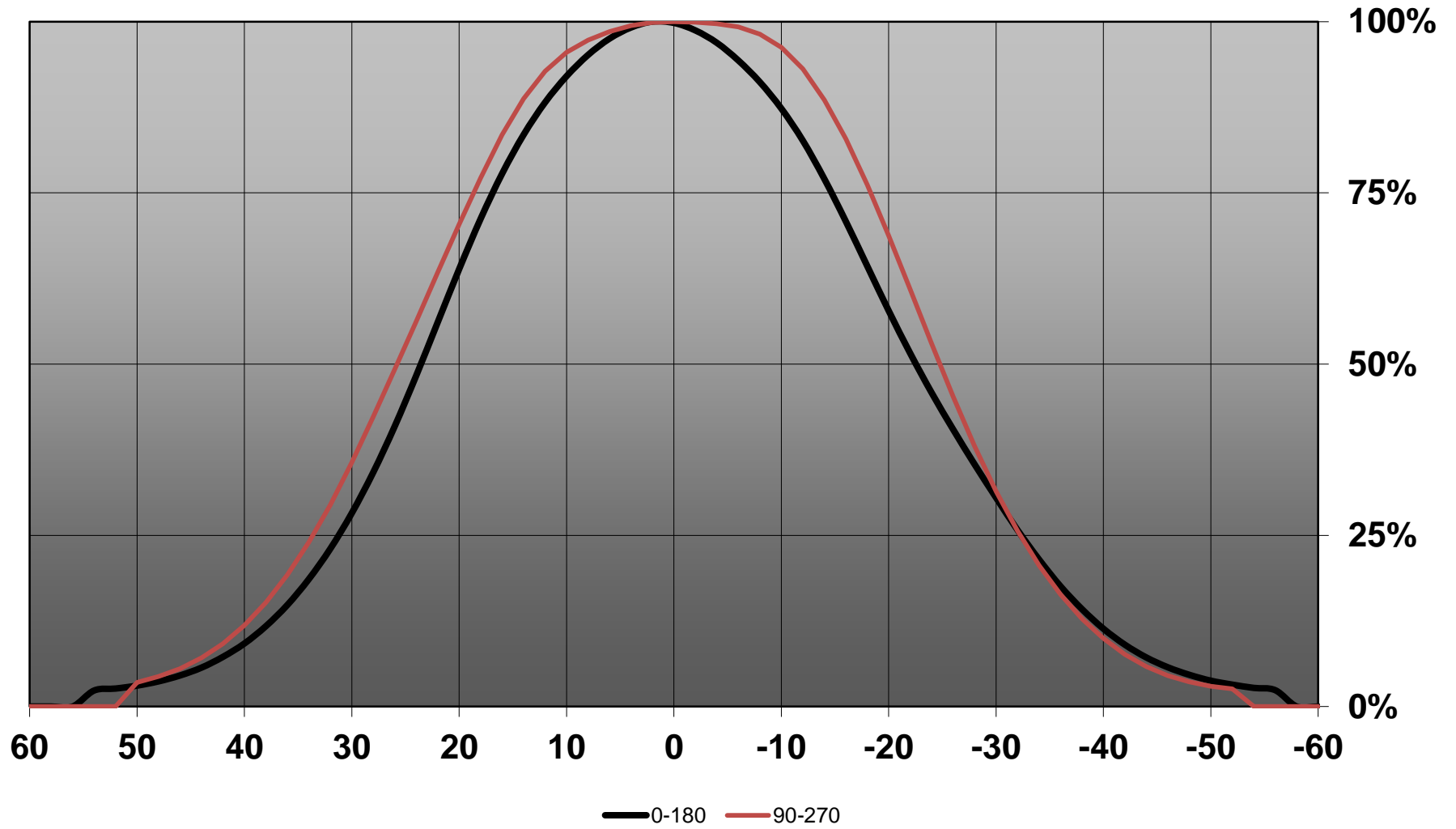
Product Number	CP14612_IDA16-M
Family	Ida
Type	Assembly
Color	black
Diameter	49,7 + 49,5 mm
Height	9,2 mm
Style	square
Optic Material	PMMA
Holder Material	
Fastening	clips
Status	production ready
ROHS Compliant	Yes
Date Updated	14/01/2016

OPTICAL PROPERTIES

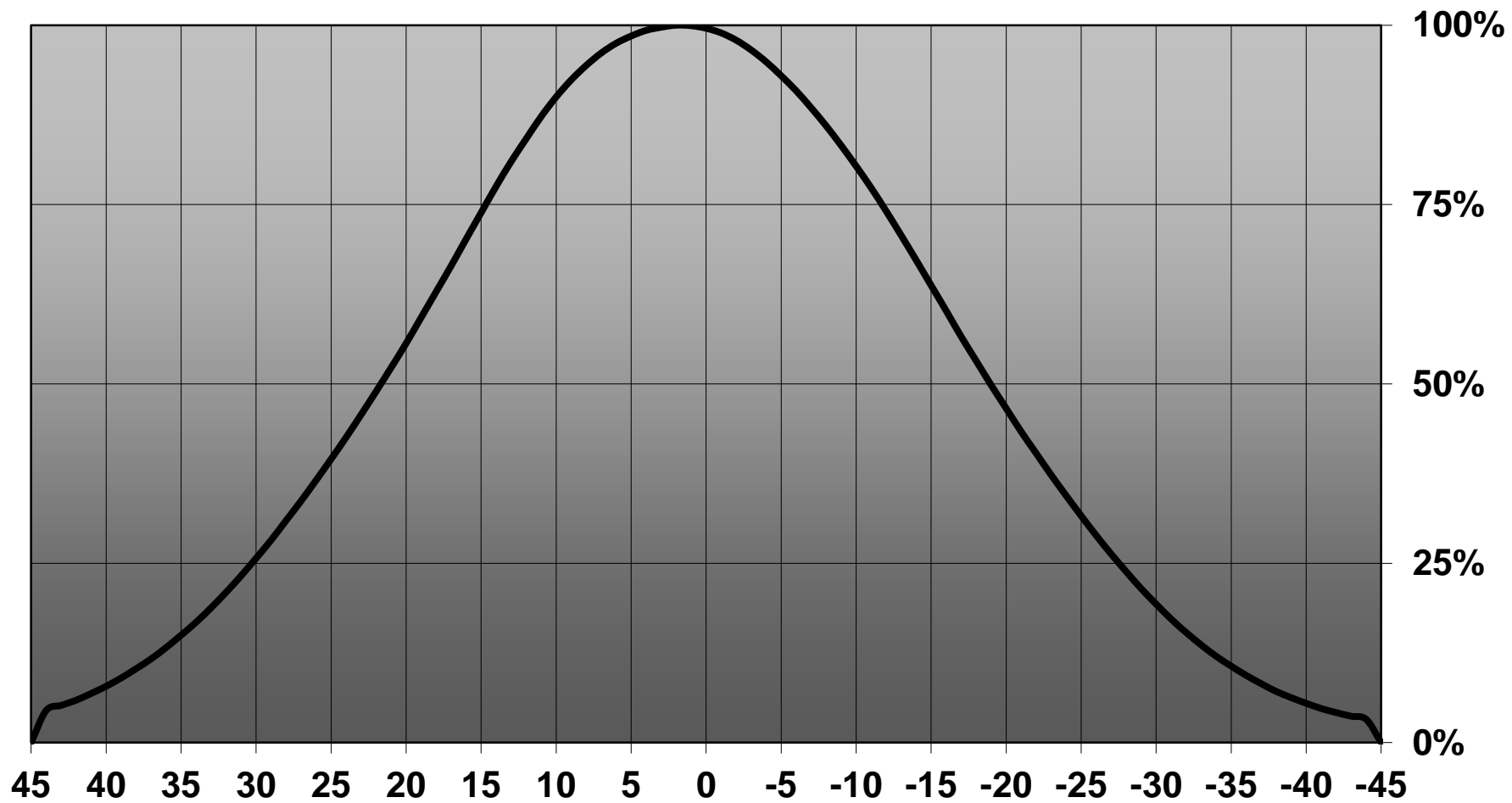
LED	Viewing	Light	Effi-		Connector
	Angle	Beam	ciency	cd/lm	
NF2x757G	49 deg	Medium	91 %	1.250	-
Duris S5 (2 chip)	sim: 40	Medium	sim: 92 %	-	-
LM301A	41 deg	Medium	87 %	1.600	-



Relative intensity of CP14612_IDA16-M_(Nichia_757G)

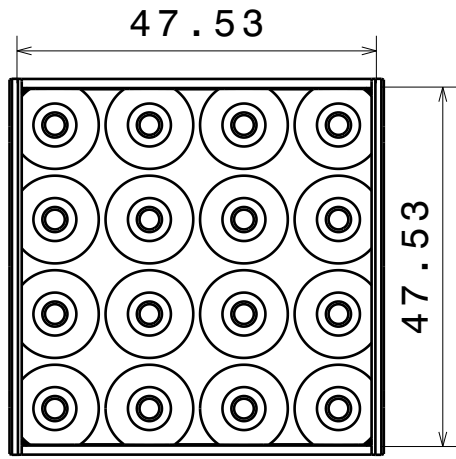


Relative intensity of CP14612_IDA16-M_(LM301A)

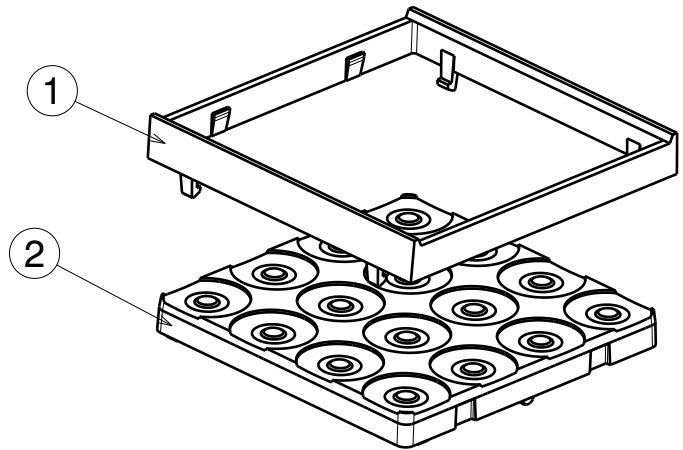


D C B A

4

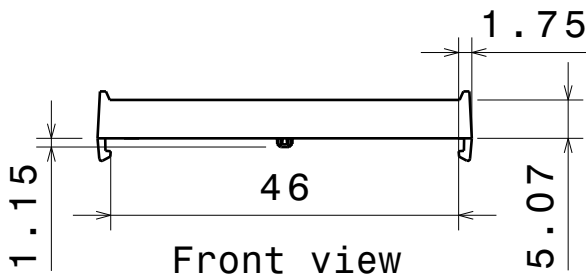


Top view

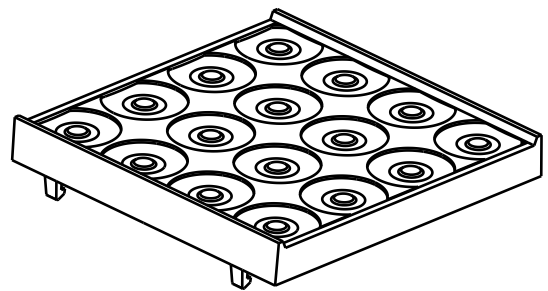


4

3



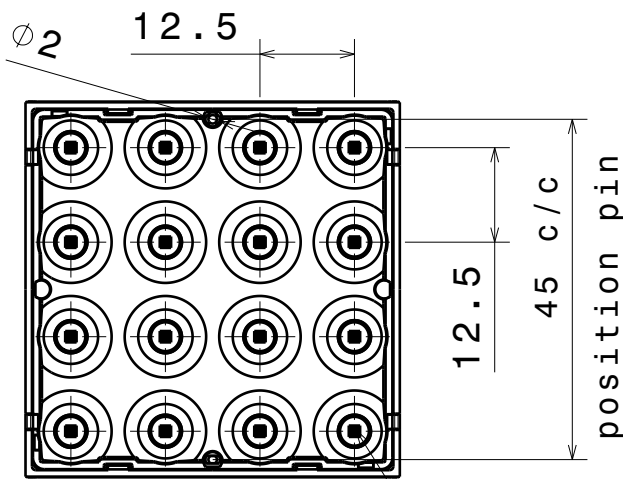
Front view



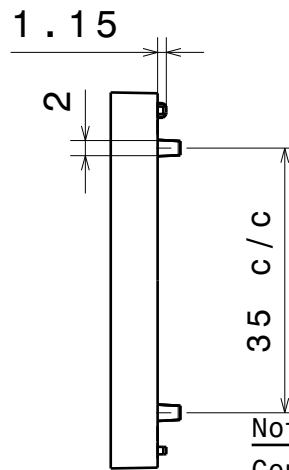
Isometric view
Scale: 1:1

3

2



Bottom view



Note:

Countersunk screws required for PCB attachment.

2

LED position

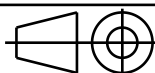
INDEX	PART NO	DESCRIPTION	MATERIAL	COLOUR
1	C14537	IDA16-M	PMMA	Clear
2	C14538	IDA16-HLD-16	PC	black

Tolerances if not otherwise shown
According to DIN ISO 2768-1
Linear measures:
up to 30mm class M, otherwise class C
According to DIN ISO 2768-2
Form and position: class L



Ledil Oy
Salorankatu 10
FIN 24240 SALO
Finland

THIRD ANGLE PROJECTION:



DRAWING TITLE

CP14612_IDA16-M

This drawing is the property of LEDiL Oy. It may not be reproduced, copied or communicated without a written agreement with LEDiL Oy.

SIZE PART NUMBER

A4

CP14612

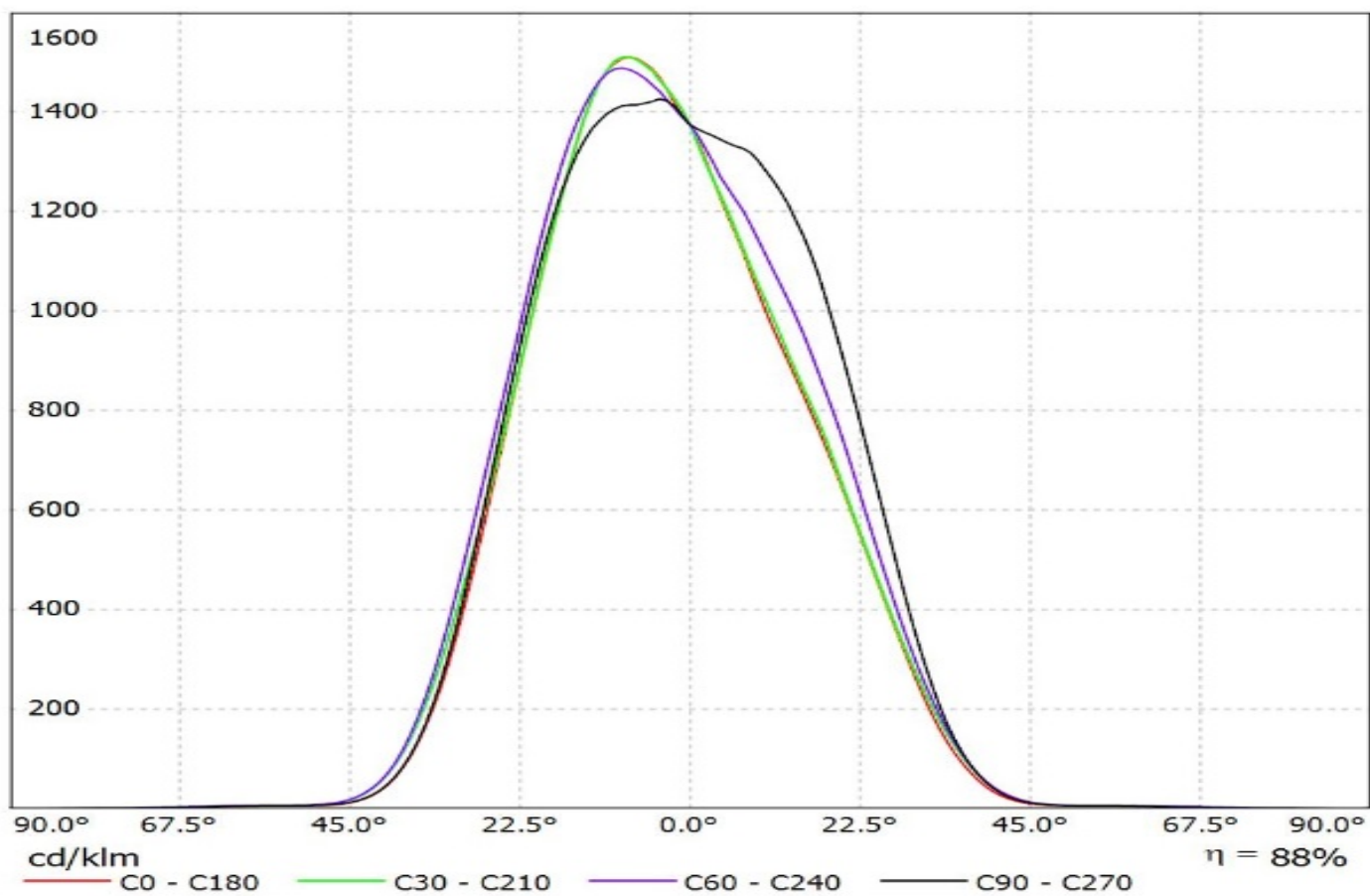
SCALE 1:1 WEIGHT 7,2 g SHEET 1/1

D

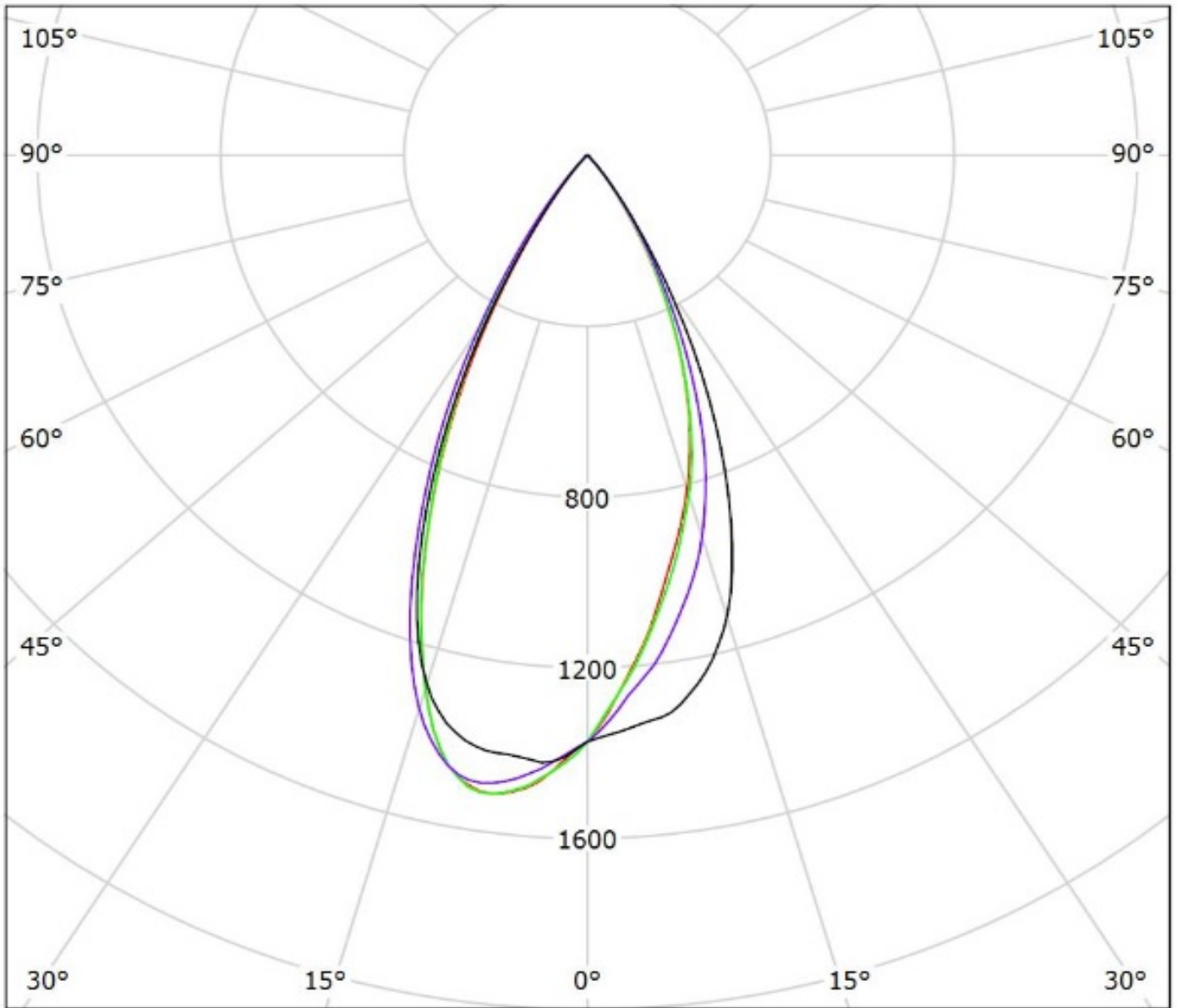
A

1

Luminaire: Ledil Oy CP14612_IDA16-M_(NF2W757GR)_SIMULATED
Lamps: 1 x Nichia NF2W757GR



Luminaire: Ledil Oy CP14612_IDA16-M_(NF2W757GR)_SIMULATED
Lamps: 1 x Nichia NF2W757GR



cd/klm

— C0 - C180 — C30 - C210 — C60 - C240 — C90 - C270

$\eta = 88\%$

NOTE: The typical divergence will be changed by different color, chip size and chip position tolerance. The typical total divergence is the full angle measured where the luminous intensity is half of the peak value.