

THIS DRAWING IS UNPUBLISHED.

RELEASED FOR PUBLICATION

20

© COPYRIGHT 20 BY -

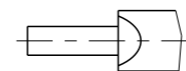
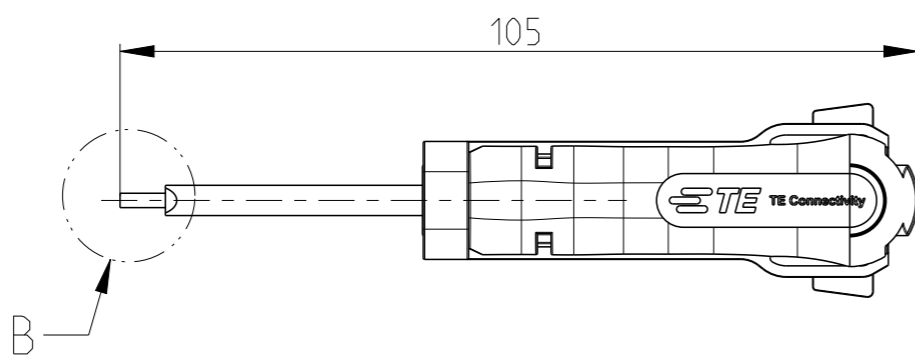
ALL RIGHTS RESERVED.

LOC
A1

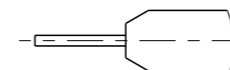
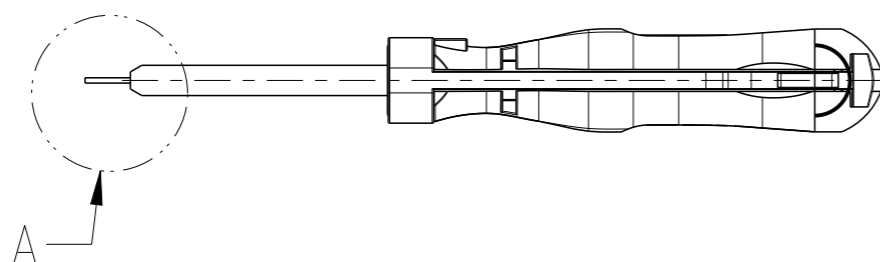
DIST
-

REVISIONS

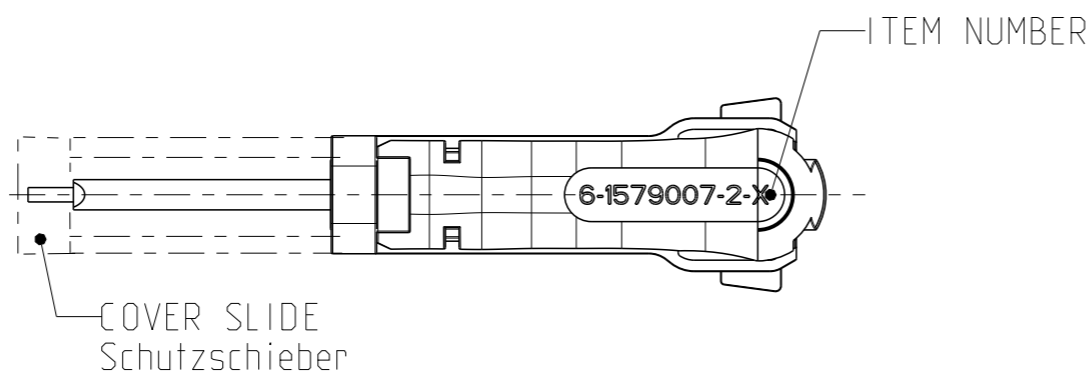
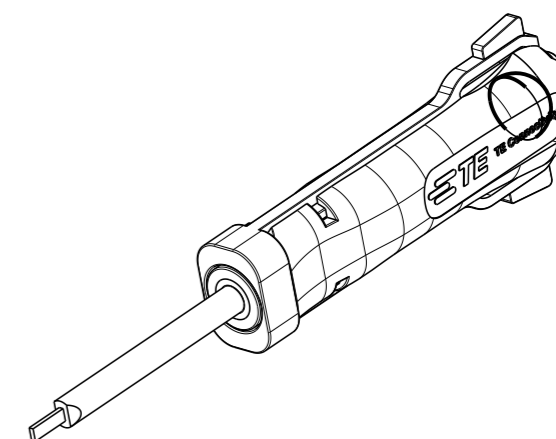
| P | LTR | DESCRIPTION | DATE | DWN | APVD |
|---|-----|------------------|------------|-----|------|
| A | | ECN EGCO-0000-00 | 00.00.2000 | - | - |
| D | | ECR-12-006154 | 15JAN2013 | RG | GS |



B
2:1



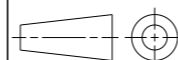
A
2:1



FOR CONTACTS / HOUSING:
MQS 1.5

THIS DRAWING IS A CONTROLLED DOCUMENT.

DIMENSIONS:
mm



MATERIAL

TOLERANCES UNLESS OTHERWISE SPECIFIED:

| | |
|--------|-----|
| 0 PLC | ± |
| 1 PLC | ± |
| 2 PLC | ± |
| 3 PLC | ± |
| 4 PLC | ± |
| ANGLES | ±1° |

FINISH

DWN 08DEC2006

H. Fink

CHK 13DEC2006

G. Stegmayer

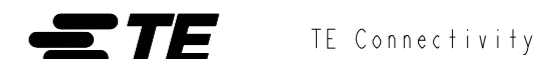
APVD 13DEC2006

G. Stegmayer

PRODUCT SPEC

APPLICATION SPEC

WEIGHT 17g



NAME
EXTRACTION TOOL
Entriegelungswerkzeug

SIZE CAGE CODE DRAWING NO RESTRICTED TO

A3 00779 C-6-1579007-2

Customer Drawing

SCALE 1:1 SHEET 1 OF 1 REV D