

THIS DRAWING IS UNPUBLISHED.

RELEASED FOR PUBLICATION

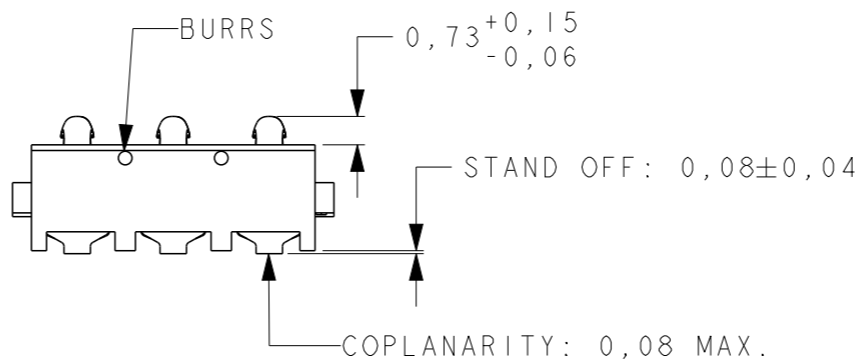
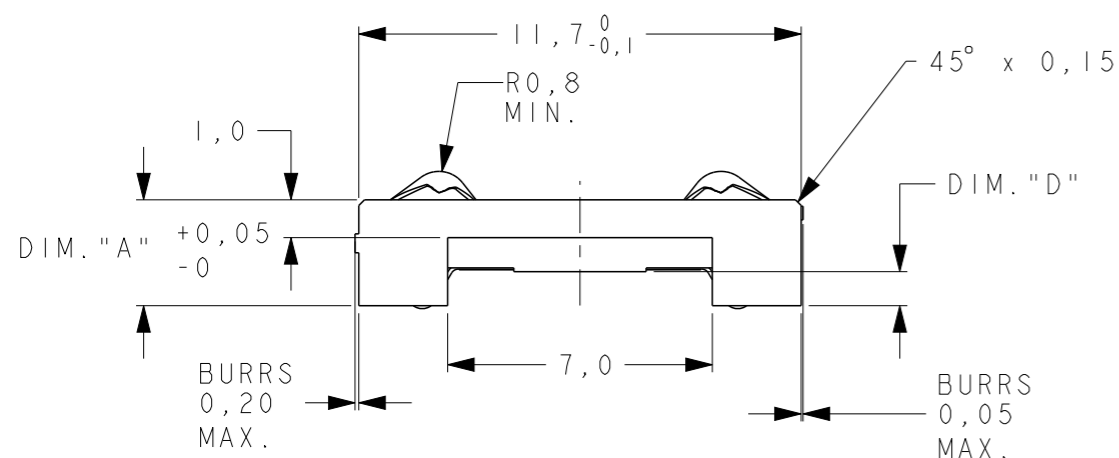
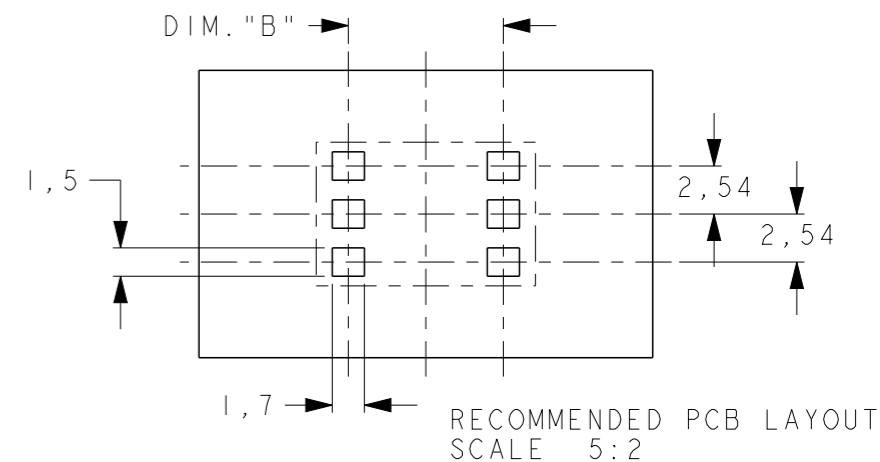
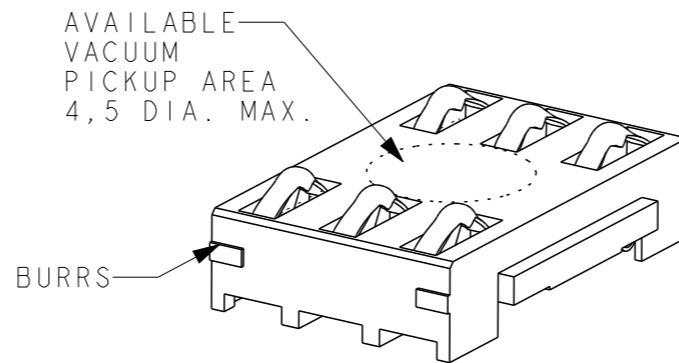
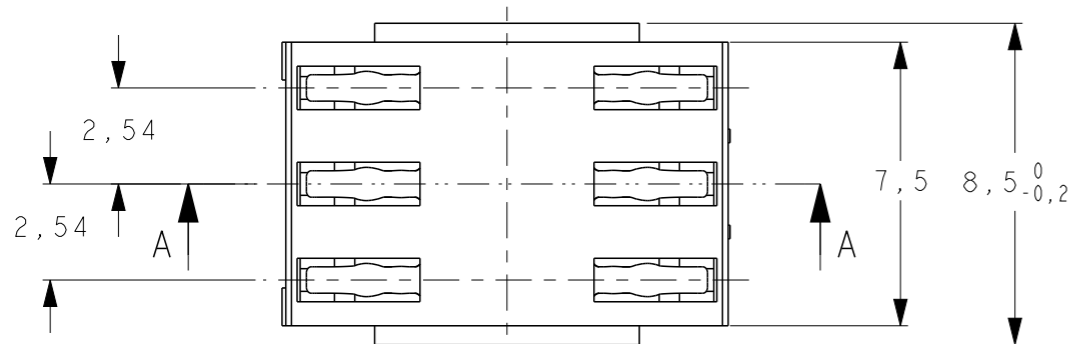
© COPYRIGHT -

ALL RIGHTS RESERVED.

LOC H DIST -

REVISIONS

P	LTR	DESCRIPTION	DATE	DWN	APVD
	K5	ECR-07-029842	11DEC2007	WJ	DH
	K6	ECR-12-010918	29OCT2012	RK	JHA
	K7	ECR-12-020749	04DEC2012	RK	JHA



2-338063-8 AS SHOWN

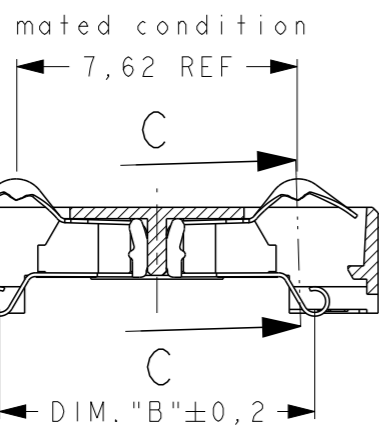
MATERIAL & FINISH:

HOUSING: GF LIQUID CRISTAL POLYMER UL 94V-0, COLOUR BLACK

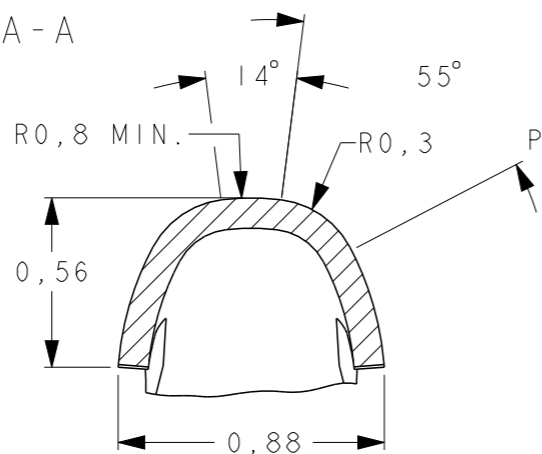
CONTACT: PHOSPHOR BRONZE

PLATING: - CARD SIDE 1,25 µm Au SELECTIVE
 - SOLDER SIDE 0,1-0,2 µm Au SELECTIVE
 - UNDER LAYER 1,3 µm Ni

PACKAGING: POCKET TAPE ACCORDING EIA 481-2 SEE SHEET 2



SECTION A-A



SECTION C-C SCALE 40:1

	part number	DIM. "A"	DIM. "B"	DIM. "C"	DIM. "D"	TOOLED
OBSOLETE	1-338063-9	1,9	8,3	0,0	0,0	YES
	2-338063-0	2,0	8,3	0,1	0,0	YES
	2-338063-1	2,1	8,3	0,2	0,1	NOT YET
	2-338063-2	2,2	8,3	0,3	0,2	YES
	2-338063-3	2,3	8,3	0,4	0,3	NOT YET
	2-338063-4	2,4	8,2	0,5	0,4	YES
	2-338063-5	2,5	8,2	0,5	0,5	YES
	2-338063-6	2,6	8,2	0,5	0,6	YES
	2-338063-7	2,7	8,1	0,5	0,7	NOT YET
	2-338063-8	2,8	8,1	0,5	0,8	YES
OBSOLETE	2-338063-9	2,9	9,3	0,5	0,9	NOT YET
	3-338063-0	3,0	9,3	0,5	1,0	NOT YET
	3-338063-1	3,1	9,2	0,5	1,1	NOT YET
	3-338063-2	3,2	9,2	0,5	1,2	NOT YET
	3-338063-3	3,3	9,1	0,5	1,3	NOT YET
	3-338063-4	3,4	9,1	0,5	1,4	NOT YET
	3-338063-5	3,5	9,0	0,5	1,5	YES
	3-338063-6	3,6	8,9	0,5	1,6	NOT YET
	3-338063-7	3,7	8,9	0,5	1,7	YES
	3-338063-8	3,8	8,8	0,5	1,8	NOT YET
OBSOLETE	3-338063-9	3,9	8,7	0,5	1,9	NOT YET
	4-338063-0	4,0	8,6	0,5	2,0	YES

THIS DRAWING IS A CONTROLLED DOCUMENT.

DIMENSIONS: mm	TOLERANCES UNLESS OTHERWISE SPECIFIED:
	0 PLC ±-
	1 PLC ±-
	2 PLC ±-
	3 PLC ±-
	4 PLC ±-
	ANGLES ±-
MATERIAL -	FINISH -

DWN	W. Jansen
CHK	W. Jansen 07Nov96
APVD	C. v. Tilburg 07Nov96
PRODUCT SPEC	108-19122
APPLICATION SPEC	114-19054
WEIGHT	0,22-0,29 gr.
CUSTOMER DRAWING	

STE TE Connectivity

NAME: GENERIC SIM CONTACT MODULE WITH CONTACT STOP

SIZE	CAGE CODE	DRAWING NO	RESTRICTED TO
A3		C-338063	-

SCALE 5:1 SHEET 1 OF 2 REV K7

THIS DRAWING IS UNPUBLISHED.

RELEASED FOR PUBLICATION

© COPYRIGHT -

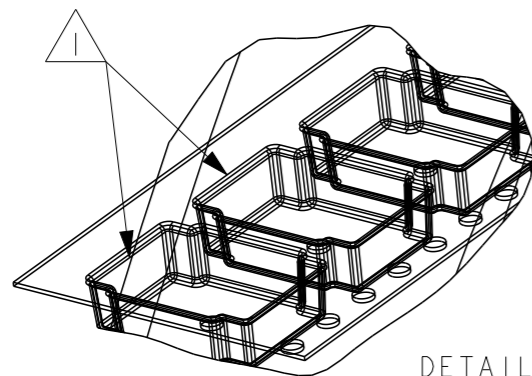
ALL RIGHTS RESERVED.

LOC
H

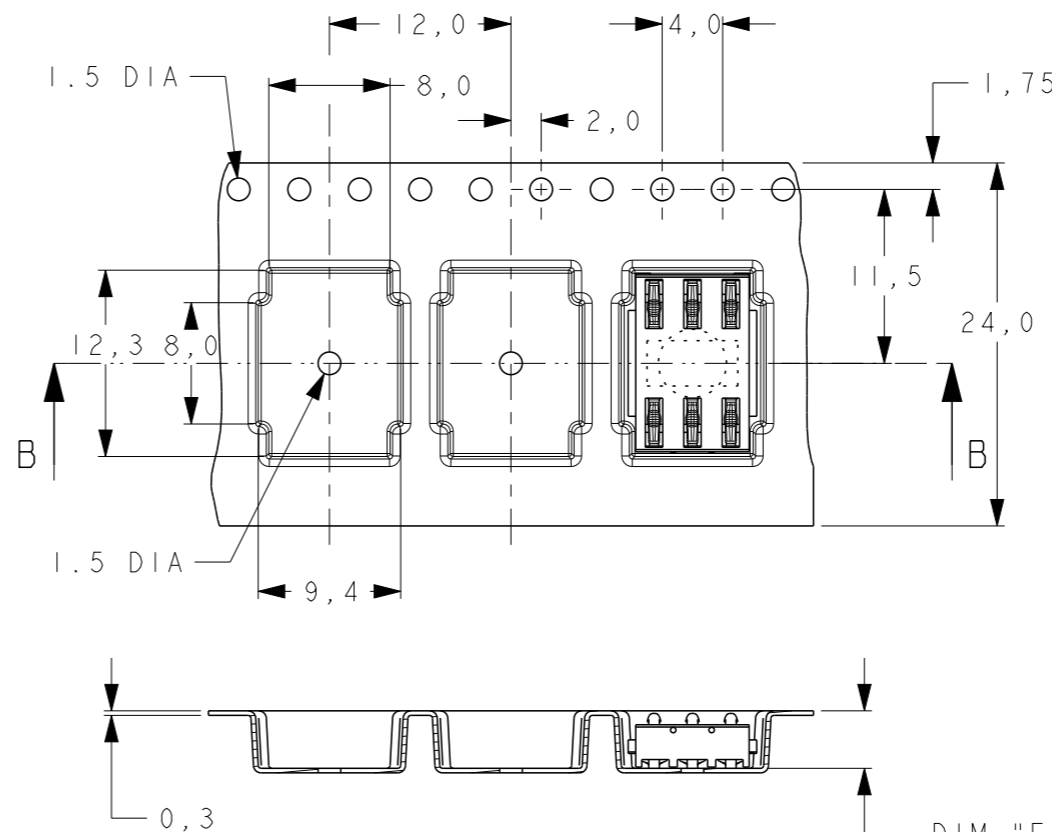
DIST
-

REVISIONS

P	LTR	DESCRIPTION	DATE	DWN	APVD
	-	SEE SHEET 1	-	-	-



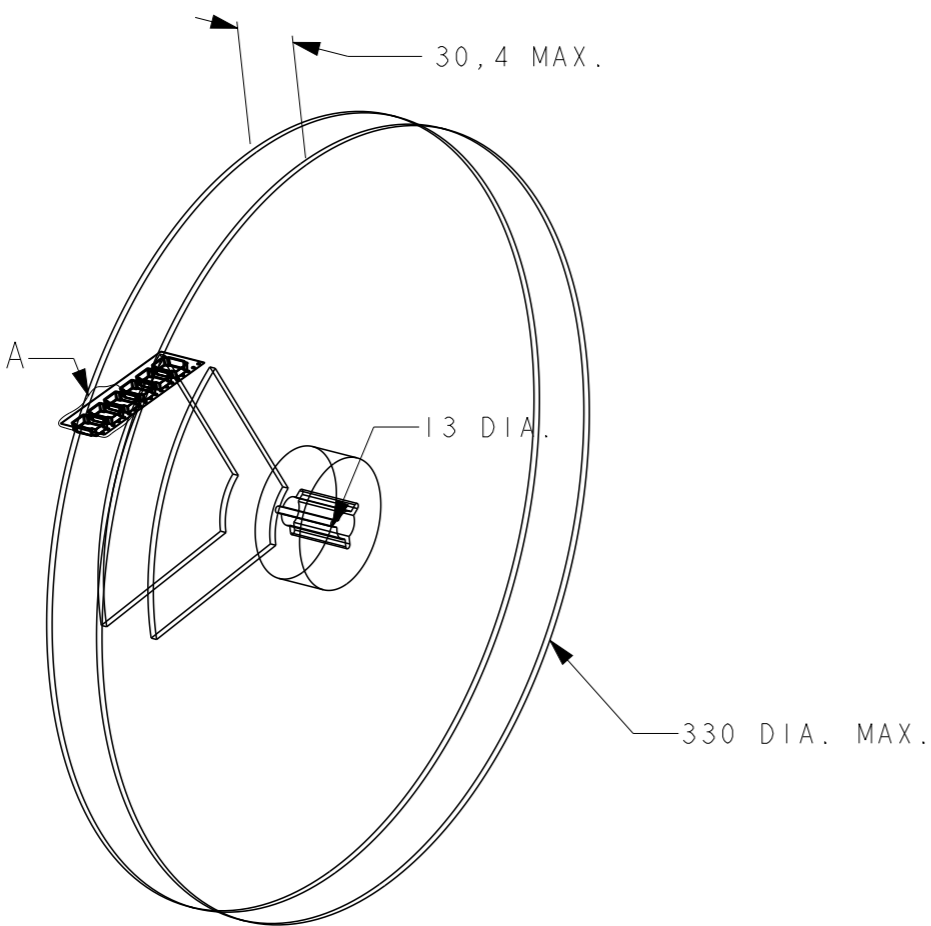
DETAIL A
SCALE 2:1



SECTION B-B

	part number	POCKET TAPE VERSION	DIM. "E"
OBSOLETE	1-338063-9	LOW	3,8
	2-338063-0	LOW	3,8
	2-338063-1	LOW	3,8
	2-338063-2	LOW	3,8
	2-338063-3	LOW	3,8
	2-338063-4	LOW	3,8
	2-338063-5	LOW	3,8
	2-338063-6	LOW	3,8
	2-338063-7	LOW	3,8
2-338063-8	LOW	3,8	
2-338063-9	HIGH	5,3	
3-338063-0	HIGH	5,3	
3-338063-1	HIGH	5,3	
3-338063-2	HIGH	5,3	
3-338063-3	HIGH	5,3	
3-338063-4	HIGH	5,3	
OBSOLETE	3-338063-5	HIGH	5,3
3-338063-6	HIGH	5,3	
OBSOLETE	3-338063-7	HIGH	5,3
3-338063-8	HIGH	5,3	
3-338063-9	HIGH	5,3	
OBSOLETE	4-338063-0	HIGH	5,3

SEE DETAIL A



SCALE 3:10

NOTES:

⚠ THE FIRST 33 POCKETS ARE EMPTY AND THE LAST 14 POCKETS ARE EMPTY.
 ONE REEL CONTAINS 1400 PRODUCTS FOR LOW VERSION
 1140 PRODUCTS FOR HIGH VERSION

SEALED COVER TAPE	PET/PE	TRANSPARENT
EMBOSSED CARRIER TAPE	PS	GREY
REEL	PS	GREY
DESCRIPTION	MATERIAL	COLOUR

THIS DRAWING IS A CONTROLLED DOCUMENT.

DIMENSIONS: mm	TOLERANCES UNLESS OTHERWISE SPECIFIED:
	0 PLC ±-
	1 PLC ±-
	2 PLC ±-
	3 PLC ±-
	4 PLC ±-
	ANGLES ±-
MATERIAL -	FINISH -

DWN	-
W. Jansen	
CHK	07Nov96
W. Jansen	
APVD	07Nov96
C. v. Tilburg	
PRODUCT SPEC	108-19122
APPLICATION SPEC	114-19054
WEIGHT	

STE TE Connectivity

NAME
GENERIC SIM CONTACT MODULE WITH CONTACT STOP

SIZE	CAGE CODE	DRAWING NO	RESTRICTED TO
A3		C-338063	-