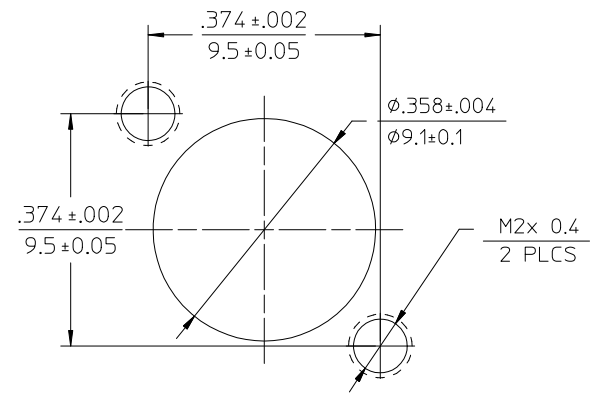
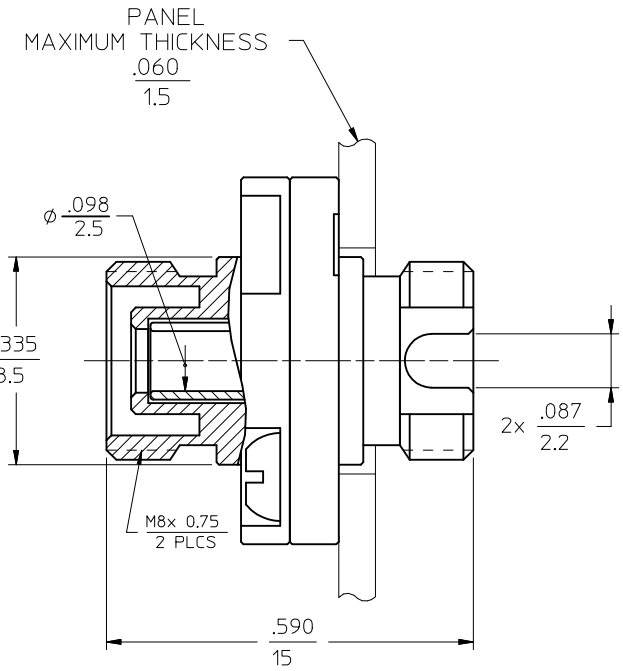
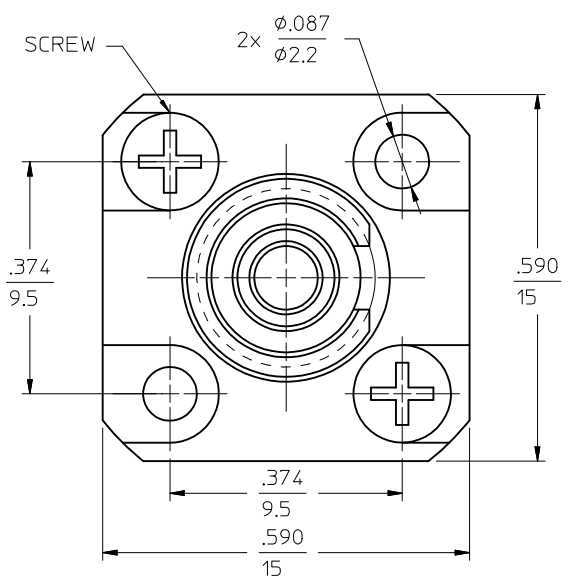


ADAPTER P/N	MATERIAL OF SLEEVE
106152-0200	ZR
106156-0200	PHOSPHOR BRONZE
106152-0220*	ZR



RECOMMENDED MOUNTING HOLES

NOTES:

- ALL DIMENSIONS ARE GIVEN IN $\frac{\text{INCHES}}{\text{mm}}$.
- DUST CAPS ARE NOT SHOWN.
- * P/N 106152-0220 IS BULK PACKED IN QUANTITIES OF 100pcs.

ENTER DESCRIPTION EC NO: MF2012-0450 DRW: KPEVNER 2012/03/20 CHKD: APPR: IGUMIN 2012/03/20 A1	QUALITY SYMBOLS	GENERAL TOLERANCES (UNLESS SPECIFIED)	DIMENSION STYLE	SCALE	DESIGN UNITS	THIRD ANGLE PROJECTION				
	$\nabla=0$ $\nabla E=0$	mm INCH 4 PLACES ± --- ± --- 3 PLACES ± --- ± --- 2 PLACES ± --- ± --- 1 PLACE ± --- ± --- 0 PLACE ± ±	IN/MM DRAWN BY DATE KP 2007/02/09 CHECKED BY DATE APPROVED BY DATE 2007/02/09	5:1	INCH	FC ADAPTER				
							ANGULAR $\pm 1/2^\circ$	MATERIAL NO.	DOCUMENT NO.	SHEET NO.
							DRAFT WHERE APPLICABLE	SEE TABLE	SD-106152-0200	1 OF 1
							MUST REMAIN WITHIN DIMENSIONS	THIS DRAWING CONTAINS INFORMATION THAT IS PROPRIETARY TO MOLEX INCORPORATED AND SHOULD NOT BE USED WITHOUT WRITTEN PERMISSION		
							SIZE B			