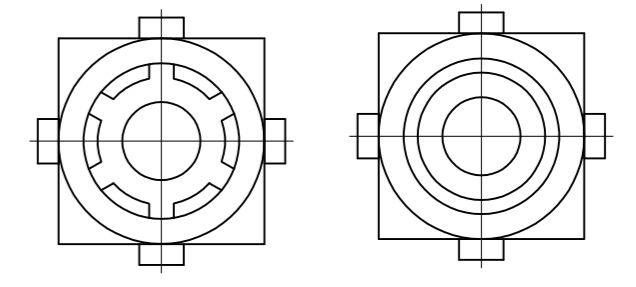
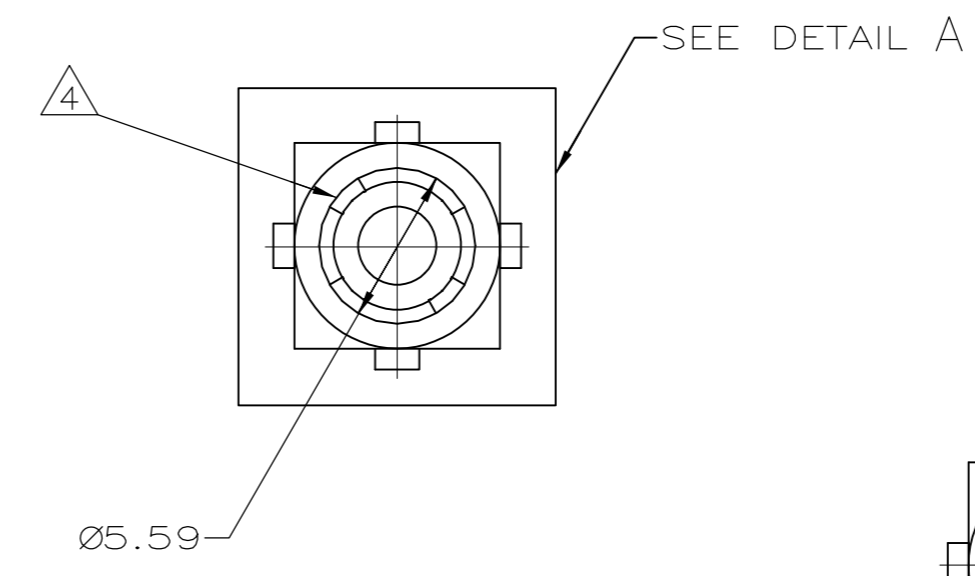
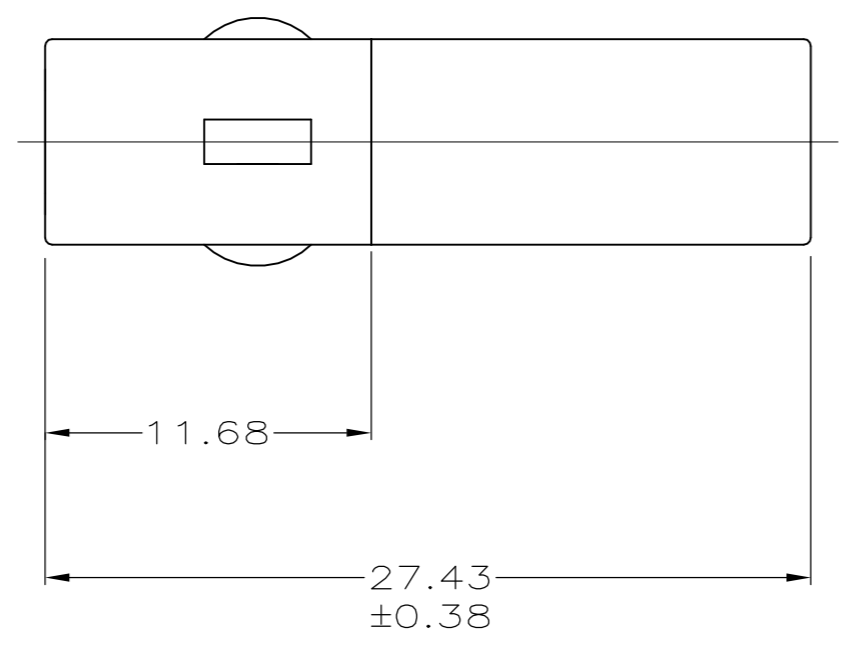
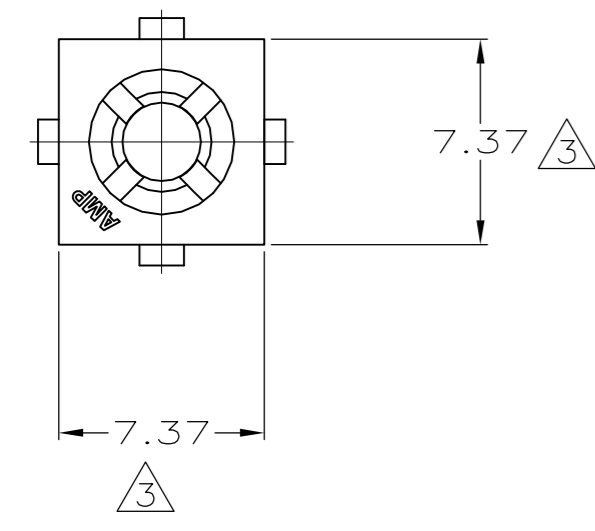
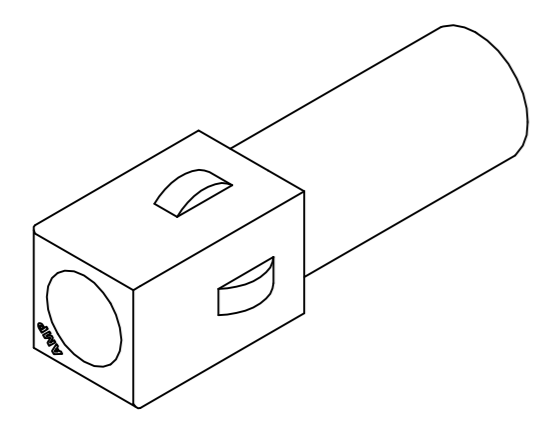


- MATES WITH APPROPRIATE UNIVERSAL MATE-N-LOK™ CAP.
- SMALL NICKS ARE PERMITTED ON THE CIRCUIT TOWER WHICH COULD INCREASE THE INITIAL HOUSING MATING FORCE BY UP TO 2.2 NEWTONS [.5 LBS].
- △ DIMENSION INDICATED IS AS MOLDED. ADDITIONAL GROWTH DUE TO SUBSEQUENT MOISTURE ABSORPTION MAY OCCUR.
- △ FOUR RIBS EQUALLY SPACED, NO SPECIFIC ORIENTATION. NO RIBS OR SIX RIBS EQUALLY SPACED, NO SPECIFIC ORIENTATION, OPTIONAL.



DETAIL A  
OPTIONAL CONSTRUCTION



3-DIMENSIONAL MODEL  
NTS

27.43	1.080
11.68	.460
7.37	.290
5.59	.220
0.38	.015
0.13	.005
MM	IN

CONVERSION TABLE

**METRIC**

THIS DRAWING IS A CONTROLLED DOCUMENT.		DWN	K. WHITAKER	3-9-92	<b>STE</b> TE Connectivity
DIMENSIONS:		CHK	R. SWING	3-9-92	
mm[INCHES]		APVD		D. SELF	3-10-92
TOLERANCES UNLESS OTHERWISE SPECIFIED:		PRODUCT SPEC		NAME	
0 PLC	± -	APPLICATION SPEC		PLUG, SINGLE CIRCUIT, UNIVERSAL MATE-N-LOK™	
1 PLC	± -	WEIGHT		SIZE	
2 PLC	± 0.13	CUSTOMER DRAWING		CAGE CODE	
3 PLC	± -	SCALE		DRAWING NO	
4 PLC	± -	SHEET		RESTRICTED TO	
ANGLES	± -0° 30'	4:1		A2 00779C-350865	
MATERIAL	FINISH	1 OF 1		REV	
NYLON,UL 94V-0	-	R1		-	