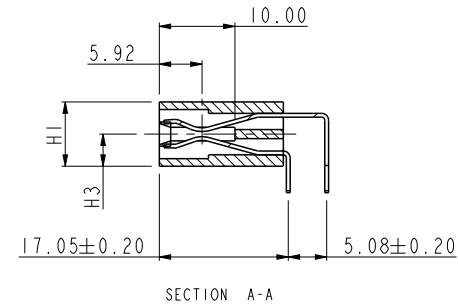
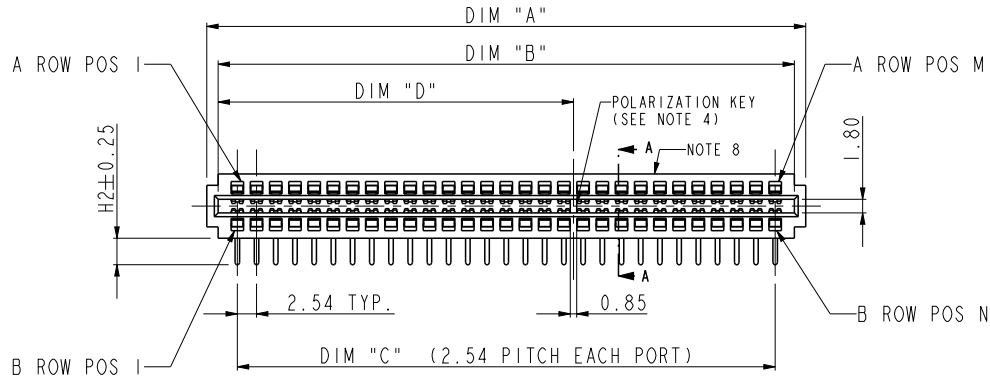
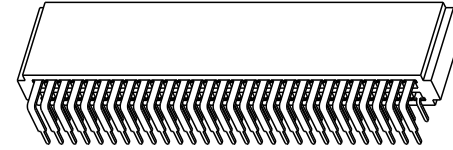
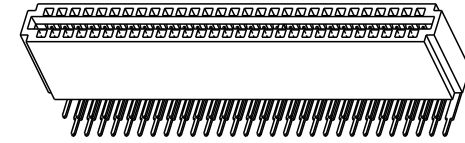
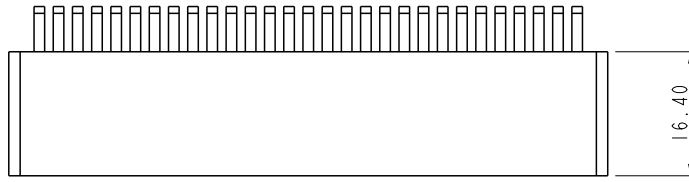


PRODUCT NO.

10035388-XXX\_  
NOTE: 5



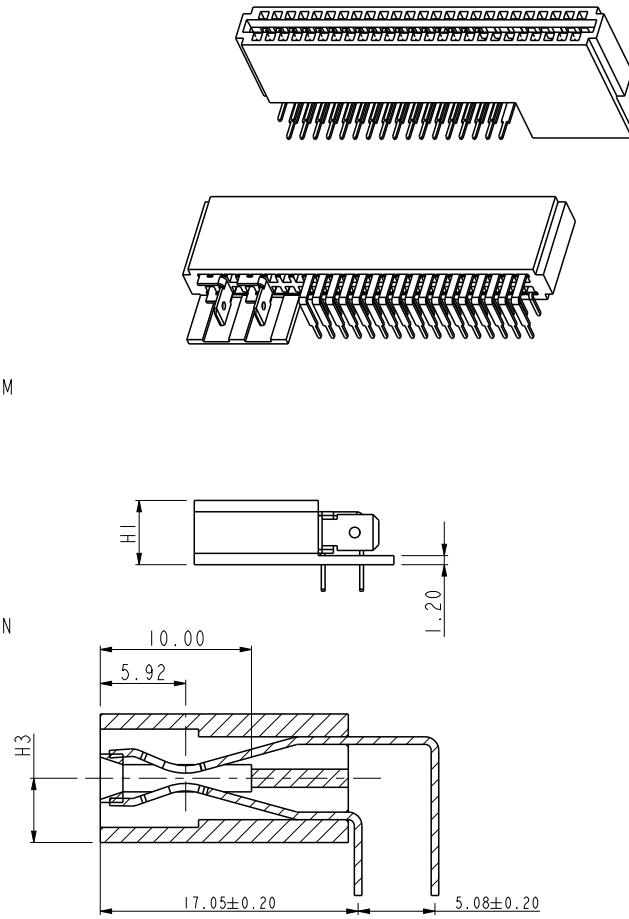
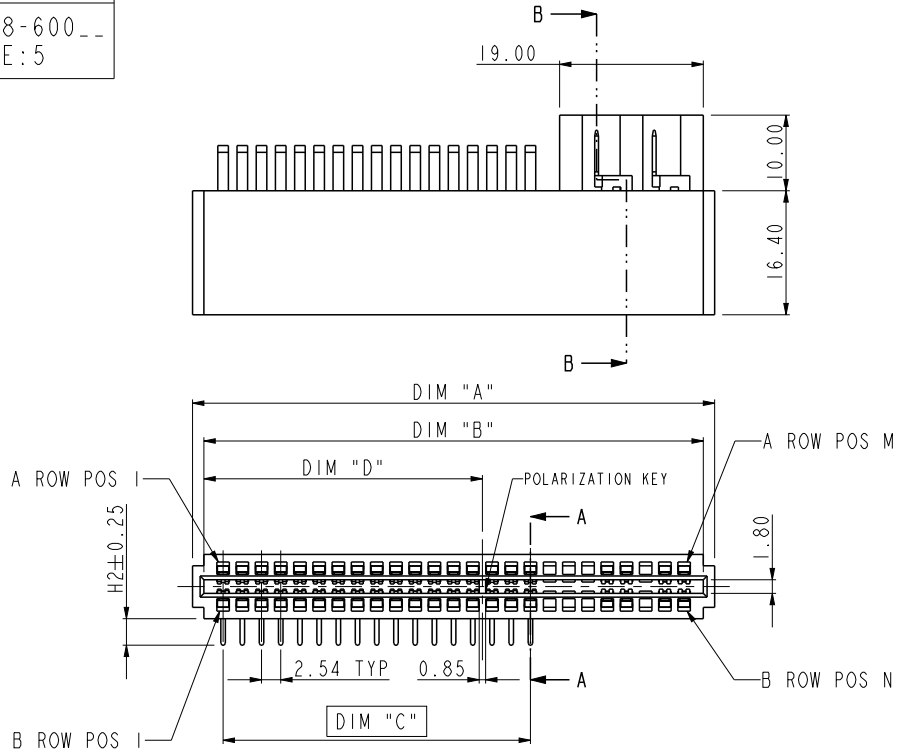
NOTE:

- MATERIAL:  
HOUSING: HIGH TEMPERATURE THERMOPLASTIC,  
UL 94 V-0 RATED, BLACK.  
TERMINAL: HIGH CONDUCTIVITY COPPER ALLOY.
- PRODUCT SPECIFICATION: GS-12-259.
- PACKAGE SPECIFICATION: GS-14-937
- THERE IS NO POLARIZATION KEY IN 10035388-102/103/104/105/106/107/108/110/114/119/202/203/  
204/205/500/700/800/802/902/903/904/905/909/910/911/912.
- PLATING SPEC:  
10035388-XXX:  
POWER PIN: CONTACT AREA - 30u" GOLD OVER 50u" NICKEL UNDER PLATED.  
SOLDER TAIL - 100u" TIN/LEAD OVER 50u" NICKEL UNDER PLATED.  
AC TERMINAL: 50u" NICKEL UNDER PLATED; 30u" GOLD ON CONTACT AREA.  
10035388-XXXLF:  
POWER PIN: CONTACT AREA - 30u" GOLD OVER 50u" NICKEL UNDER PLATED.  
SOLDER TAIL - 100u" PURE MATTE TIN OVER 50u" NICKEL UNDER PLATED.  
AC TERMINAL: 50u" NICKEL UNDER PLATED; 30u" GOLD ON CONTACT AREA.

- P/N 10035388-XXXLF MEETS EUROPEAN UNION DIRECTIVE AND OTHER COUNTRY REGULATIONS AS DESCRIBED IN GS-22-008.
- THE HOUSING WILL WITHSTAND EXPOSURE TO 260°C PEAK TEMPERATURE FOR 10 SECONDS IN A WAVE SOLDER APPLICATION WITH A CIRCUIT BOARD.
- PRODUCT MARKING ON HOUSING IN AREA SHOWN MEETS AFCI SPECIFICATION: GS-24-007.
- A SYMBOL WILL BE NEXT TO ANY DIMENSION, VIEW, OR NOTE WHICH HAS BEEN MODIFIED WITH THE CURRENT DRAWING REVISION.

spec ref		*		dr	De-Ming Lu	2014/08/06	projection 	MM ←→	size	A4	scale	1:1	
tolerance std		TOLERANCES UNLESS OTHERWISE SPECIFIED		eng	Feng Zheng	2017/03/27			ecn no	ELX-DG-26356-1			
ISO 406	ISO 1101			chr	Terris Liu	2017/03/27				rel level		Released	
surface		linear	0.X	±0.5	appr	Pei-Ming Zheng	2017/03/27	product family		-			
ISO 1302			0.XX	±0.25		Amphenol FCI		title		POWER EDGE CARD CONNECTOR		dwg no	10035388
		0.XXX	±0.10	cat. no.		-	Product - Customer Drw		sheet 1 of 6				
		angular	0°	±2°									

PRODUCT NO.  
10035388-600\_\_  
NOTE: 5

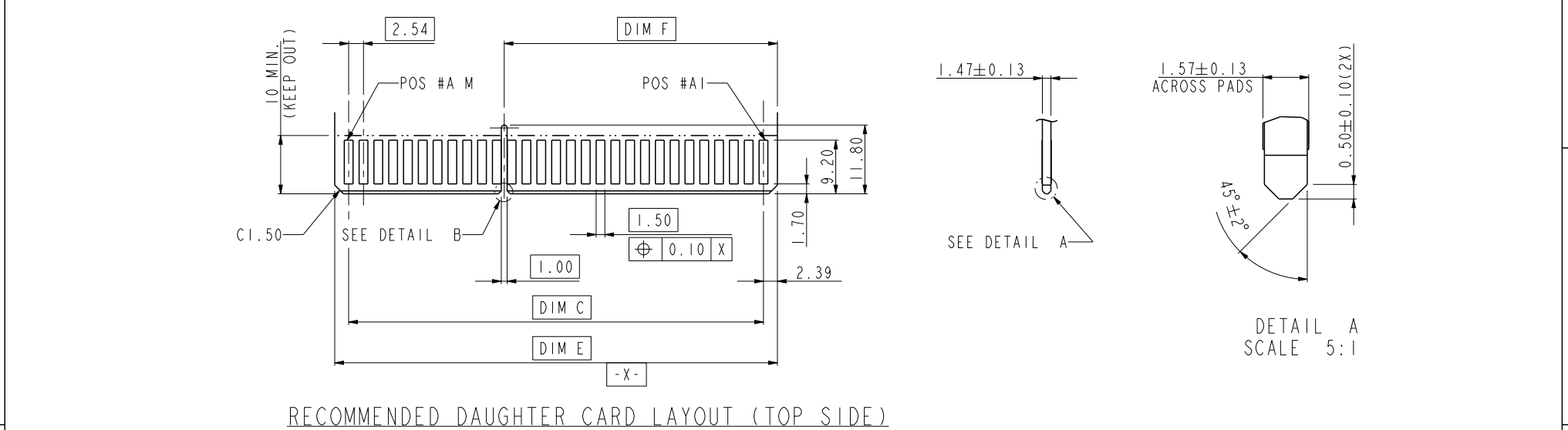
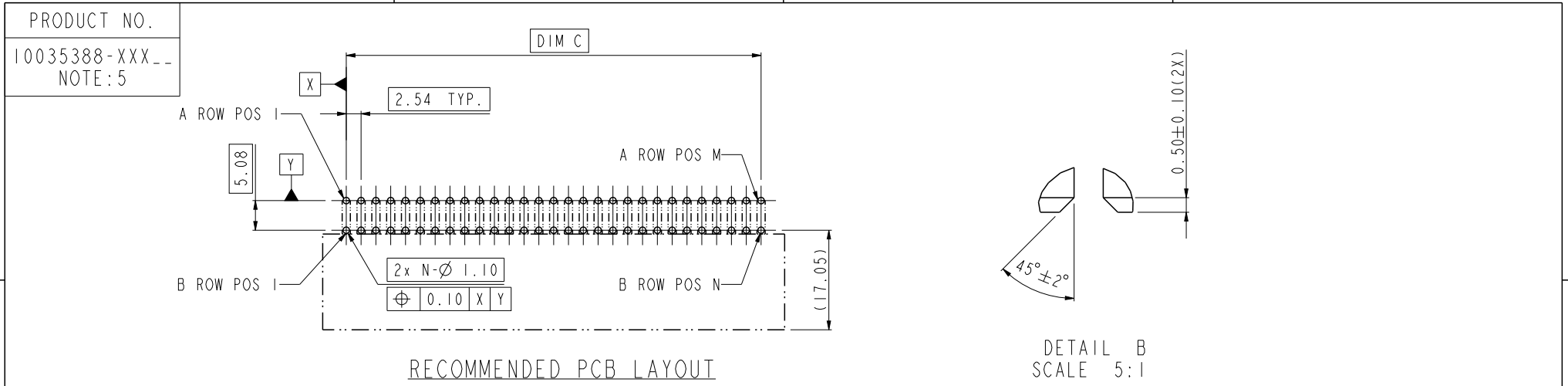


NOTE:  
(APPLY TO 10035388-600\_\_ AS ADDITIONAL)  
10. THE EMPTY POSITIONS ARE 18, 19, 20, 23.  
11. THERE ARE 2 AC TERMINALS.

SECTION A-A  
SCALE 2:1

SECTION B-B  
SCALE 2:1

spec ref		*		dr	De-Ming Lu	2014/08/06	projection 	MM ←→	size	A4	scale	1:1
tolerance std		TOLERANCES UNLESS OTHERWISE SPECIFIED		eng	Feng Zheng	2017/03/27			ecn no	ELX-DG-26356-1		
ISO 406 ISO 1101				chr	Terris Liu	2017/03/27			rel level	Released		
ISO 1302				appr	Pei-Ming Zheng	2017/03/27			product family	-		
surface	linear	0.X	±0.5	Amphenol FCI	title	POWER EDGE CARD CONNECTOR		dwg no	10035388		rev	AK
		0.XX	±0.25			WITHOUT SIGNAL ASSY						
		0.XXX	±0.10			cat. no.	-		Product - Customer Drw	sheet 2 of 6		
	angular	0°	±2°									



spec ref	*	dr	De-Ming Lu	2014/08/06	projection	MM	size	A4	scale	1:1
tolerance std	TOLERANCES UNLESS OTHERWISE SPECIFIED	eng	Feng Zheng	2017/03/27			ecn no	ELX-DG-26356-1		
ISO 406 ISO 1101		chr	Terris Liu	2017/03/27				rel level	Released	
surface	-	appr	Pei-Ming Zheng	2017/03/27	product family	-	rev	AK		
ISO 1302		linear	0.X	±0.5	title		POWER EDGE CARD CONNECTOR	dwg no	10035388	
			0.XX	±0.25	WITHOUT SIGNAL ASSY					
			0.XXX	±0.10	cat. no.		-	Product - Customer Drw	sheet 3 of 6	
	angular		0°	±2°						

Amphenol FCI

© 2016 AFCI

A

B

C

D

PRAT NO.	DIM"A"	DIM"B"	DIM"C"	DIM"D"	DIM"E"	DIM"F"	H1	H2	H3	PIN CONFIGURATION	M	N																																																																																
10035388-000 10035388-000LF	79.20	76.20	71.12	46.99	75.90	46.84	8.50	3.50	4.25	ALL LOADED	29	29																																																																																
10035388-001 10035388-001LF	79.20	76.20	71.12	46.99	75.90	46.84	8.50	3.50	4.25	A1 <table border="1"><tr><td>P</td><td>P</td><td>P</td><td>P</td><td>P</td><td>P</td><td>P</td><td>P</td><td>P</td><td>P</td><td>P</td><td>P</td><td>P</td><td>P</td><td>P</td><td>P</td><td>P</td><td>P</td><td>P</td><td>P</td></tr><tr><td></td><td></td><td></td><td></td><td></td><td></td><td></td><td></td><td></td><td></td><td></td><td></td><td></td><td></td><td></td><td></td><td></td><td></td><td></td><td></td></tr></table> A29 B1 <table border="1"><tr><td>P</td><td>P</td><td>P</td><td>P</td><td>P</td><td>P</td><td>P</td><td>P</td><td>P</td><td>P</td><td>P</td><td>P</td><td>P</td><td>P</td><td>P</td><td>P</td><td>P</td><td>P</td><td>P</td><td>P</td></tr><tr><td></td><td></td><td></td><td></td><td></td><td></td><td></td><td></td><td></td><td></td><td></td><td></td><td></td><td></td><td></td><td></td><td></td><td></td><td></td><td></td></tr></table> B29	P	P	P	P	P	P	P	P	P	P	P	P	P	P	P	P	P	P	P	P																					P	P	P	P	P	P	P	P	P	P	P	P	P	P	P	P	P	P	P	P																					29	29
P	P	P	P	P	P	P	P	P	P	P	P	P	P	P	P	P	P	P	P																																																																									
P	P	P	P	P	P	P	P	P	P	P	P	P	P	P	P	P	P	P	P																																																																									
10035388-100 10035388-100LF	69.04	66.04	60.96	36.83	65.74	36.68	8.50	3.50	4.25	ALL LOADED	25	25																																																																																
10035388-101 10035388-101LF	69.04	66.04	60.96	36.83	65.74	36.68	8.50	3.50	4.25	A1 <table border="1"><tr><td>P</td><td>P</td><td>P</td><td>P</td><td>P</td><td>P</td><td>P</td><td>P</td><td>P</td><td>P</td><td>P</td><td>P</td><td>P</td><td>P</td><td>P</td><td>P</td><td>P</td><td>P</td><td>P</td><td>P</td></tr><tr><td></td><td></td><td></td><td></td><td></td><td></td><td></td><td></td><td></td><td></td><td></td><td></td><td></td><td></td><td></td><td></td><td></td><td></td><td></td><td></td></tr></table> A25 B1 <table border="1"><tr><td>P</td><td>P</td><td>P</td><td>P</td><td>P</td><td>P</td><td>P</td><td>P</td><td>P</td><td>P</td><td>P</td><td>P</td><td>P</td><td>P</td><td>P</td><td>P</td><td>P</td><td>P</td><td>P</td><td>P</td></tr><tr><td></td><td></td><td></td><td></td><td></td><td></td><td></td><td></td><td></td><td></td><td></td><td></td><td></td><td></td><td></td><td></td><td></td><td></td><td></td><td></td></tr></table> B25	P	P	P	P	P	P	P	P	P	P	P	P	P	P	P	P	P	P	P	P																					P	P	P	P	P	P	P	P	P	P	P	P	P	P	P	P	P	P	P	P																					25	25
P	P	P	P	P	P	P	P	P	P	P	P	P	P	P	P	P	P	P	P																																																																									
P	P	P	P	P	P	P	P	P	P	P	P	P	P	P	P	P	P	P	P																																																																									
10035388-102 10035388-102LF	69.04	66.04	60.96	N/A	65.74	N/A	8.50	3.50	4.25	ALL LOADED	25	25																																																																																
10035388-103 10035388-103LF	69.04	66.04	60.96	N/A	65.74	N/A	8.50	3.50	4.25	A1 <table border="1"><tr><td></td><td></td><td></td><td></td><td></td><td></td><td></td><td></td><td>P</td><td>P</td><td>P</td><td>P</td><td>P</td><td>P</td><td>P</td><td>P</td><td>P</td><td>P</td><td>P</td></tr><tr><td></td><td></td><td></td><td></td><td></td><td></td><td></td><td></td><td></td><td></td><td></td><td></td><td></td><td></td><td></td><td></td><td></td><td></td><td></td><td></td></tr></table> A25 B1 <table border="1"><tr><td>P</td><td>P</td><td>P</td><td>P</td><td>P</td><td>P</td><td>P</td><td>P</td><td>P</td><td>P</td><td>P</td><td>P</td><td>P</td><td>P</td><td>P</td><td>P</td><td>P</td><td>P</td><td>P</td><td>P</td></tr><tr><td></td><td></td><td></td><td></td><td></td><td></td><td></td><td></td><td></td><td></td><td></td><td></td><td></td><td></td><td></td><td></td><td></td><td></td><td></td><td></td></tr></table> B25									P	P	P	P	P	P	P	P	P	P	P																					P	P	P	P	P	P	P	P	P	P	P	P	P	P	P	P	P	P	P	P																					25	25	
								P	P	P	P	P	P	P	P	P	P	P																																																																										
P	P	P	P	P	P	P	P	P	P	P	P	P	P	P	P	P	P	P	P																																																																									
10035388-104 10035388-104LF	69.04	66.04	60.96	N/A	65.74	N/A	8.50	3.50	4.25	A1 <table border="1"><tr><td>P</td><td></td><td>P</td><td>P</td><td>P</td><td>P</td><td>P</td><td>P</td><td>P</td><td>P</td><td>P</td><td>P</td><td>P</td><td>P</td><td>P</td><td>P</td><td>P</td><td>P</td><td>P</td><td>P</td></tr><tr><td></td><td></td><td></td><td></td><td></td><td></td><td></td><td></td><td></td><td></td><td></td><td></td><td></td><td></td><td></td><td></td><td></td><td></td><td></td><td></td></tr></table> A25 B1 <table border="1"><tr><td>P</td><td>P</td><td>P</td><td>P</td><td>P</td><td>P</td><td>P</td><td>P</td><td>P</td><td>P</td><td>P</td><td>P</td><td>P</td><td>P</td><td>P</td><td>P</td><td>P</td><td>P</td><td>P</td><td>P</td></tr><tr><td></td><td></td><td></td><td></td><td></td><td></td><td></td><td></td><td></td><td></td><td></td><td></td><td></td><td></td><td></td><td></td><td></td><td></td><td></td><td></td></tr></table> B25	P		P	P	P	P	P	P	P	P	P	P	P	P	P	P	P	P	P	P																					P	P	P	P	P	P	P	P	P	P	P	P	P	P	P	P	P	P	P	P																					25	25
P		P	P	P	P	P	P	P	P	P	P	P	P	P	P	P	P	P	P																																																																									
P	P	P	P	P	P	P	P	P	P	P	P	P	P	P	P	P	P	P	P																																																																									
10035388-105 10035388-105LF	69.04	66.04	60.96	N/A	65.74	N/A	8.50	3.50	4.25	A1 <table border="1"><tr><td>P</td><td>P</td><td>P</td><td>P</td><td>P</td><td>P</td><td>P</td><td>P</td><td>P</td><td>P</td><td>P</td><td>P</td><td>P</td><td>P</td><td>P</td><td>P</td><td>P</td><td>P</td><td>P</td><td>P</td></tr><tr><td></td><td></td><td></td><td></td><td></td><td></td><td></td><td></td><td></td><td></td><td></td><td></td><td></td><td></td><td></td><td></td><td></td><td></td><td></td><td></td></tr></table> A25 B1 <table border="1"><tr><td>P</td><td>P</td><td>P</td><td>P</td><td>P</td><td>P</td><td>P</td><td>P</td><td>P</td><td>P</td><td>P</td><td>P</td><td>P</td><td>P</td><td>P</td><td>P</td><td>P</td><td>P</td><td>P</td><td>P</td></tr><tr><td></td><td></td><td></td><td></td><td></td><td></td><td></td><td></td><td></td><td></td><td></td><td></td><td></td><td></td><td></td><td></td><td></td><td></td><td></td><td></td></tr></table> B25	P	P	P	P	P	P	P	P	P	P	P	P	P	P	P	P	P	P	P	P																					P	P	P	P	P	P	P	P	P	P	P	P	P	P	P	P	P	P	P	P																					25	25
P	P	P	P	P	P	P	P	P	P	P	P	P	P	P	P	P	P	P	P																																																																									
P	P	P	P	P	P	P	P	P	P	P	P	P	P	P	P	P	P	P	P																																																																									
10035388-106 10035388-106LF	69.04	66.04	60.96	N/A	65.74	N/A	9.287	2.713	5.037	ALL LOADED	25	25																																																																																
10035388-200 10035388-200LF	84.28	81.28	76.20	52.07	80.98	51.92	8.50	3.50	4.25	ALL LOADED	31	31																																																																																
10035388-201 10035388-201LF	84.28	81.28	76.20	52.07	80.98	51.92	8.50	3.50	4.25	A1 <table border="1"><tr><td>P</td><td>P</td><td>P</td><td>P</td><td>P</td><td>P</td><td>P</td><td>P</td><td>P</td><td>P</td><td>P</td><td>P</td><td>P</td><td>P</td><td>P</td><td>P</td><td>P</td><td>P</td><td>P</td><td>P</td></tr><tr><td></td><td></td><td></td><td></td><td></td><td></td><td></td><td></td><td></td><td></td><td></td><td></td><td></td><td></td><td></td><td></td><td></td><td></td><td></td><td></td></tr></table> A31 B1 <table border="1"><tr><td>P</td><td>P</td><td>P</td><td>P</td><td>P</td><td>P</td><td>P</td><td>P</td><td>P</td><td>P</td><td>P</td><td>P</td><td>P</td><td>P</td><td>P</td><td>P</td><td>P</td><td>P</td><td>P</td><td>P</td></tr><tr><td></td><td></td><td></td><td></td><td></td><td></td><td></td><td></td><td></td><td></td><td></td><td></td><td></td><td></td><td></td><td></td><td></td><td></td><td></td><td></td></tr></table> B31	P	P	P	P	P	P	P	P	P	P	P	P	P	P	P	P	P	P	P	P																					P	P	P	P	P	P	P	P	P	P	P	P	P	P	P	P	P	P	P	P																					31	31
P	P	P	P	P	P	P	P	P	P	P	P	P	P	P	P	P	P	P	P																																																																									
P	P	P	P	P	P	P	P	P	P	P	P	P	P	P	P	P	P	P	P																																																																									
10035388-202 10035388-202LF	84.28	81.28	76.20	N/A	80.98	N/A	8.50	3.50	4.25	ALL LOADED	31	31																																																																																
10035388-203 10035388-203LF	84.28	81.28	76.20	N/A	80.98	N/A	8.50	3.50	4.25	A1 <table border="1"><tr><td>P</td><td>P</td><td>P</td><td>P</td><td>P</td><td>P</td><td>P</td><td>P</td><td>P</td><td>P</td><td>P</td><td>P</td><td>P</td><td>P</td><td>P</td><td>P</td><td>P</td><td>P</td><td>P</td><td>P</td></tr><tr><td></td><td></td><td></td><td></td><td></td><td></td><td></td><td></td><td></td><td></td><td></td><td></td><td></td><td></td><td></td><td></td><td></td><td></td><td></td><td></td></tr></table> A31 B1 <table border="1"><tr><td>P</td><td>P</td><td>P</td><td>P</td><td>P</td><td>P</td><td>P</td><td>P</td><td>P</td><td>P</td><td>P</td><td>P</td><td>P</td><td>P</td><td>P</td><td>P</td><td>P</td><td>P</td><td>P</td><td>P</td></tr><tr><td></td><td></td><td></td><td></td><td></td><td></td><td></td><td></td><td></td><td></td><td></td><td></td><td></td><td></td><td></td><td></td><td></td><td></td><td></td><td></td></tr></table> B31	P	P	P	P	P	P	P	P	P	P	P	P	P	P	P	P	P	P	P	P																					P	P	P	P	P	P	P	P	P	P	P	P	P	P	P	P	P	P	P	P																					31	31
P	P	P	P	P	P	P	P	P	P	P	P	P	P	P	P	P	P	P	P																																																																									
P	P	P	P	P	P	P	P	P	P	P	P	P	P	P	P	P	P	P	P																																																																									
10035388-205 10035388-205LF	94.44	91.44	86.36	N/A	91.14	N/A	8.50	3.50	4.25	A1 <table border="1"><tr><td>P</td><td>P</td><td>P</td><td>P</td><td>P</td><td>P</td><td>P</td><td>P</td><td>P</td><td>P</td><td>P</td><td>P</td><td>P</td><td>P</td><td>P</td><td>P</td><td>P</td><td>P</td><td>P</td><td>P</td></tr><tr><td></td><td></td><td></td><td></td><td></td><td></td><td></td><td></td><td></td><td></td><td></td><td></td><td></td><td></td><td></td><td></td><td></td><td></td><td></td><td></td></tr></table> A35 B1 <table border="1"><tr><td>P</td><td>P</td><td>P</td><td>P</td><td>P</td><td>P</td><td>P</td><td>P</td><td>P</td><td>P</td><td>P</td><td>P</td><td>P</td><td>P</td><td>P</td><td>P</td><td>P</td><td>P</td><td>P</td><td>P</td></tr><tr><td></td><td></td><td></td><td></td><td></td><td></td><td></td><td></td><td></td><td></td><td></td><td></td><td></td><td></td><td></td><td></td><td></td><td></td><td></td><td></td></tr></table> B35	P	P	P	P	P	P	P	P	P	P	P	P	P	P	P	P	P	P	P	P																					P	P	P	P	P	P	P	P	P	P	P	P	P	P	P	P	P	P	P	P																					35	35
P	P	P	P	P	P	P	P	P	P	P	P	P	P	P	P	P	P	P	P																																																																									
P	P	P	P	P	P	P	P	P	P	P	P	P	P	P	P	P	P	P	P																																																																									
10035388-300 10035388-300LF	86.82	83.82	78.74	54.61	83.52	54.46	8.50	3.50	4.25	ALL LOADED	32	32																																																																																
10035388-301 10035388-301LF	86.82	83.82	78.74	54.61	83.52	54.46	8.50	3.50	4.25	A1 <table border="1"><tr><td>P</td><td>P</td><td>P</td><td>P</td><td>P</td><td>P</td><td>P</td><td>P</td><td>P</td><td>P</td><td>P</td><td>P</td><td>P</td><td>P</td><td>P</td><td>P</td><td>P</td><td>P</td><td>P</td><td>P</td></tr><tr><td></td><td></td><td></td><td></td><td></td><td></td><td></td><td></td><td></td><td></td><td></td><td></td><td></td><td></td><td></td><td></td><td></td><td></td><td></td><td></td></tr></table> A32 B1 <table border="1"><tr><td>P</td><td>P</td><td>P</td><td>P</td><td>P</td><td>P</td><td>P</td><td>P</td><td>P</td><td>P</td><td>P</td><td>P</td><td>P</td><td>P</td><td>P</td><td>P</td><td>P</td><td>P</td><td>P</td><td>P</td></tr><tr><td></td><td></td><td></td><td></td><td></td><td></td><td></td><td></td><td></td><td></td><td></td><td></td><td></td><td></td><td></td><td></td><td></td><td></td><td></td><td></td></tr></table> B32	P	P	P	P	P	P	P	P	P	P	P	P	P	P	P	P	P	P	P	P																					P	P	P	P	P	P	P	P	P	P	P	P	P	P	P	P	P	P	P	P																					32	32
P	P	P	P	P	P	P	P	P	P	P	P	P	P	P	P	P	P	P	P																																																																									
P	P	P	P	P	P	P	P	P	P	P	P	P	P	P	P	P	P	P	P																																																																									

spec ref	*	dr	De-Ming Lu	2014/08/06	projection			size	A4	scale	1:1
tolerance std	TOLERANCES UNLESS OTHERWISE SPECIFIED		eng	Feng Zheng	2017/03/27		ecn no		ELX-DG-26356-1		
ISO 406		chr	Terris Liu	2017/03/27	rel level				Released		
ISO 1101		appr	Pei-Ming Zheng	2017/03/27	product family				-		
surface	linear	0.X	±0.5	Amphenol FCI			POWER EDGE CARD CONNECTOR WITHOUT SIGNAL ASSY				
		0.XX	±0.25								
		0.XXX	±0.10								
	angular	0°	±2°	cat. no.	-	Product - Customer Drw				sheet 4 of 6	
ISO 1302						dwg no		10035388		rev	AK

Creo File - REV E - 2016-02-12



A

B

C

D

PRAT NO.	DIM"A"	DIM"B"	DIM"C"	DIM"D"	DIM"E"	DIM"F"	H1	H2	H3	PIN CONFIGURATION	M	N																																								
10035388-107 10035388-107LF	69.04	66.04	60.96	N/A	65.74	N/A	8.50	3.50	4.25	A1 <table border="1"><tr><td>P</td><td>P</td><td>P</td><td>P</td><td>P</td><td>P</td><td>P</td><td>P</td><td>P</td><td>P</td><td>P</td><td>P</td><td>P</td><td>P</td><td>P</td><td>P</td><td>P</td><td>P</td><td>P</td><td>P</td></tr></table> A25 B1 <table border="1"><tr><td>P</td><td>P</td><td>P</td><td>P</td><td>P</td><td>P</td><td>P</td><td>P</td><td>P</td><td>P</td><td>P</td><td>P</td><td>P</td><td>P</td><td>P</td><td>P</td><td>P</td><td>P</td><td>P</td><td>P</td></tr></table> B25	P	P	P	P	P	P	P	P	P	P	P	P	P	P	P	P	P	P	P	P	P	P	P	P	P	P	P	P	P	P	P	P	P	P	P	P	P	P	P	P	25	25
P	P	P	P	P	P	P	P	P	P	P	P	P	P	P	P	P	P	P	P																																	
P	P	P	P	P	P	P	P	P	P	P	P	P	P	P	P	P	P	P	P																																	
10035388-913 10035388-913LF	25.86	22.86	17.78	N/A	22.56	N/A	8.50	3.50	4.25	ALL LOADED	8	8																																								
10035388-902 10035388-902LF	94.44	91.44	86.36	N/A	91.14	N/A	8.50	3.50	4.25	A1 <table border="1"><tr><td>P</td><td>P</td><td>P</td><td>P</td><td>P</td><td>P</td><td>P</td><td>P</td><td>P</td><td>P</td><td>P</td><td>P</td><td>P</td><td>P</td><td>P</td><td>P</td><td>P</td><td>P</td><td>P</td><td>P</td></tr></table> A35 B1 <table border="1"><tr><td>P</td><td>P</td><td>P</td><td>P</td><td>P</td><td>P</td><td>P</td><td>P</td><td>P</td><td>P</td><td>P</td><td>P</td><td>P</td><td>P</td><td>P</td><td>P</td><td>P</td><td>P</td><td>P</td><td>P</td></tr></table> B35	P	P	P	P	P	P	P	P	P	P	P	P	P	P	P	P	P	P	P	P	P	P	P	P	P	P	P	P	P	P	P	P	P	P	P	P	P	P	P	P	35	35
P	P	P	P	P	P	P	P	P	P	P	P	P	P	P	P	P	P	P	P																																	
P	P	P	P	P	P	P	P	P	P	P	P	P	P	P	P	P	P	P	P																																	
10035388-108 10035388-108LF	69.04	66.04	60.96	N/A	65.74	N/A	8.50	3.50	4.25	A1 <table border="1"><tr><td>P</td><td>P</td><td>P</td><td>P</td><td>P</td><td>P</td><td>P</td><td>P</td><td>P</td><td>P</td><td>P</td><td>P</td><td>P</td><td>P</td><td>P</td><td>P</td><td>P</td><td>P</td><td>P</td><td>P</td></tr></table> A25 B1 <table border="1"><tr><td>P</td><td>P</td><td>P</td><td>P</td><td>P</td><td>P</td><td>P</td><td>P</td><td>P</td><td>P</td><td>P</td><td>P</td><td>P</td><td>P</td><td>P</td><td>P</td><td>P</td><td>P</td><td>P</td><td>P</td></tr></table> B25	P	P	P	P	P	P	P	P	P	P	P	P	P	P	P	P	P	P	P	P	P	P	P	P	P	P	P	P	P	P	P	P	P	P	P	P	P	P	P	P	25	25
P	P	P	P	P	P	P	P	P	P	P	P	P	P	P	P	P	P	P	P																																	
P	P	P	P	P	P	P	P	P	P	P	P	P	P	P	P	P	P	P	P																																	
10035388-206 10035388-206LF	84.28	81.28	76.20	N/A	80.98	N/A	8.50	3.50	4.25	A1 <table border="1"><tr><td>P</td><td>P</td><td>P</td><td>P</td><td>P</td><td>P</td><td>P</td><td>P</td><td>P</td><td>P</td><td>P</td><td>P</td><td>P</td><td>P</td><td>P</td><td>P</td><td>P</td><td>P</td><td>P</td><td>P</td></tr></table> A31 B1 <table border="1"><tr><td>P</td><td>P</td><td>P</td><td>P</td><td>P</td><td>P</td><td>P</td><td>P</td><td>P</td><td>P</td><td>P</td><td>P</td><td>P</td><td>P</td><td>P</td><td>P</td><td>P</td><td>P</td><td>P</td><td>P</td></tr></table> B31	P	P	P	P	P	P	P	P	P	P	P	P	P	P	P	P	P	P	P	P	P	P	P	P	P	P	P	P	P	P	P	P	P	P	P	P	P	P	P	P	31	31
P	P	P	P	P	P	P	P	P	P	P	P	P	P	P	P	P	P	P	P																																	
P	P	P	P	P	P	P	P	P	P	P	P	P	P	P	P	P	P	P	P																																	
10035388-110 10035388-110LF	69.04	66.04	60.96	N/A	65.74	N/A	8.50	3.50	4.25	A1 <table border="1"><tr><td>P</td><td>P</td><td>P</td><td>P</td><td>P</td><td>P</td><td>P</td><td>P</td><td>P</td><td>P</td><td>P</td><td>P</td><td>P</td><td>P</td><td>P</td><td>P</td><td>P</td><td>P</td><td>P</td><td>P</td></tr></table> A25 B1 <table border="1"><tr><td>P</td><td>P</td><td>P</td><td>P</td><td>P</td><td>P</td><td>P</td><td>P</td><td>P</td><td>P</td><td>P</td><td>P</td><td>P</td><td>P</td><td>P</td><td>P</td><td>P</td><td>P</td><td>P</td><td>P</td></tr></table> B25	P	P	P	P	P	P	P	P	P	P	P	P	P	P	P	P	P	P	P	P	P	P	P	P	P	P	P	P	P	P	P	P	P	P	P	P	P	P	P	P	25	25
P	P	P	P	P	P	P	P	P	P	P	P	P	P	P	P	P	P	P	P																																	
P	P	P	P	P	P	P	P	P	P	P	P	P	P	P	P	P	P	P	P																																	
10035388-204 10035388-204LF	81.74	78.74	73.66	N/A	78.44	N/A	8.50	3.50	4.25	ALL LOADED	30	30																																								
10035388-114 10035388-114LF	41.10	38.10	33.02	N/A	37.80	N/A	8.50	3.50	4.25	ALL LOADED	14	14																																								
AA 10035388-119 10035388-119LF	94.44	91.44	86.36	N/A	91.14	N/A	8.50	3.50	4.25	A1 <table border="1"><tr><td>P</td><td>P</td><td>P</td><td>P</td><td>P</td><td>P</td><td>P</td><td>P</td><td>P</td><td>P</td><td>P</td><td>P</td><td>P</td><td>P</td><td>P</td><td>P</td><td>P</td><td>P</td><td>P</td><td>P</td></tr></table> A35 B1 <table border="1"><tr><td>P</td><td>P</td><td>P</td><td>P</td><td>P</td><td>P</td><td>P</td><td>P</td><td>P</td><td>P</td><td>P</td><td>P</td><td>P</td><td>P</td><td>P</td><td>P</td><td>P</td><td>P</td><td>P</td><td>P</td></tr></table> B35	P	P	P	P	P	P	P	P	P	P	P	P	P	P	P	P	P	P	P	P	P	P	P	P	P	P	P	P	P	P	P	P	P	P	P	P	P	P	P	P	35	35
P	P	P	P	P	P	P	P	P	P	P	P	P	P	P	P	P	P	P	P																																	
P	P	P	P	P	P	P	P	P	P	P	P	P	P	P	P	P	P	P	P																																	

spec ref	*	dr	De-Ming Lu	2014/08/06	projection		size	A4	scale	1:1
tolerance std	TOLERANCES UNLESS OTHERWISE SPECIFIED	eng	Feng Zheng	2017/03/27			ecn no	ELX-DG-26356-1		
ISO 406 ISO 1101		chr	Terris Liu	2017/03/27			rel level	Released		
surface	linear	appr	Pei-Ming Zheng	2017/03/27	product family	-	rev	10035388		
ISO 1302	angular				POWER EDGE CARD CONNECTOR WITHOUT SIGNAL ASSY		AK			
	0.X ±0.5 0.XX ±0.25 0.XXX ±0.10	cat. no.			Product - Customer Drw		sheet 6 of 6			