

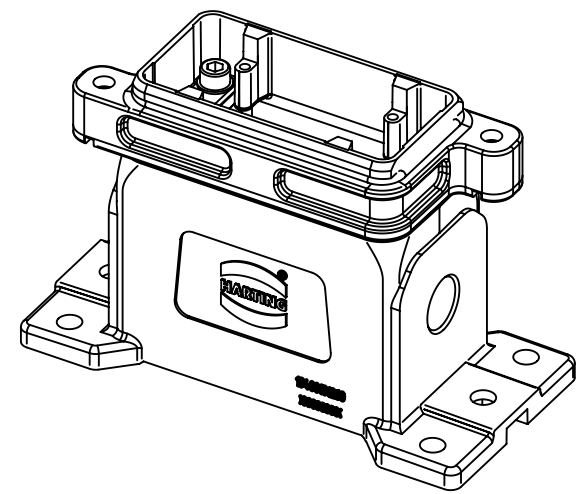
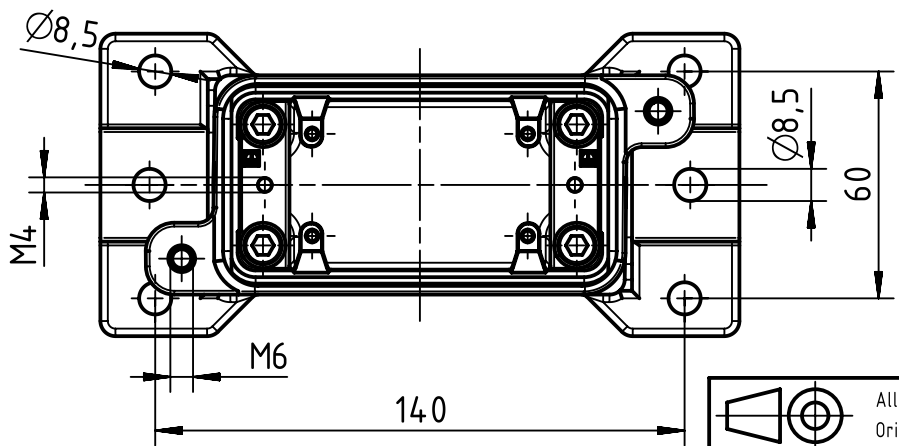
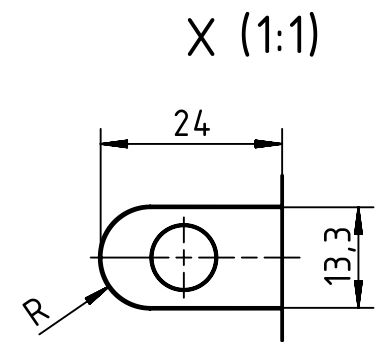
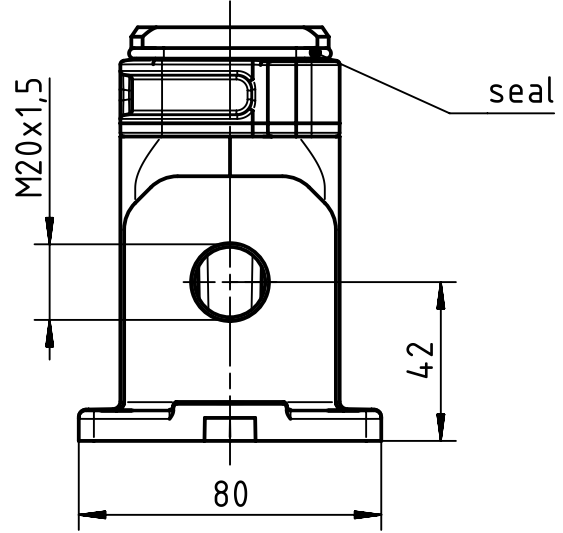
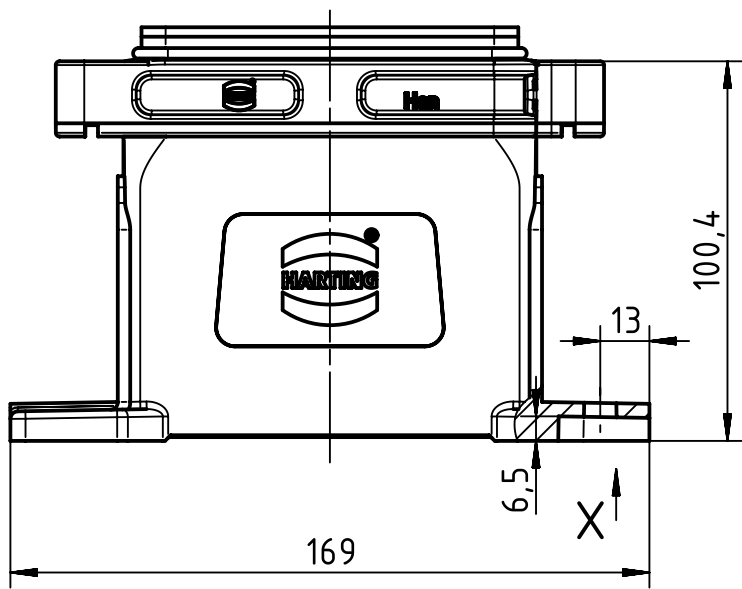
1 2 3 4 5 6


A

B

C

D



	All rights reserved Department EL PD - DE HARTING Electric GmbH & Co. KG D-32339 Espelkamp	All Dimensions in mm Original Size DIN A4		Scale 1:2	Free size tol.	Ref. Sub.
		Created by RULLKOETTER	Inspected by SCHNIEDER	Standardisation SCHMIDTM	Date 2013-10-09	State Final Release
Title Han 10HPR-asg1-SV-M20					Doc-Key / ECM-Nr. 100185595/UGD/003/B 500000066885	
Type TB			Number 19 40 010 1260		Rev. B	Page 1/1