

4

3

2

1

THIS DRAWING IS UNPUBLISHED.

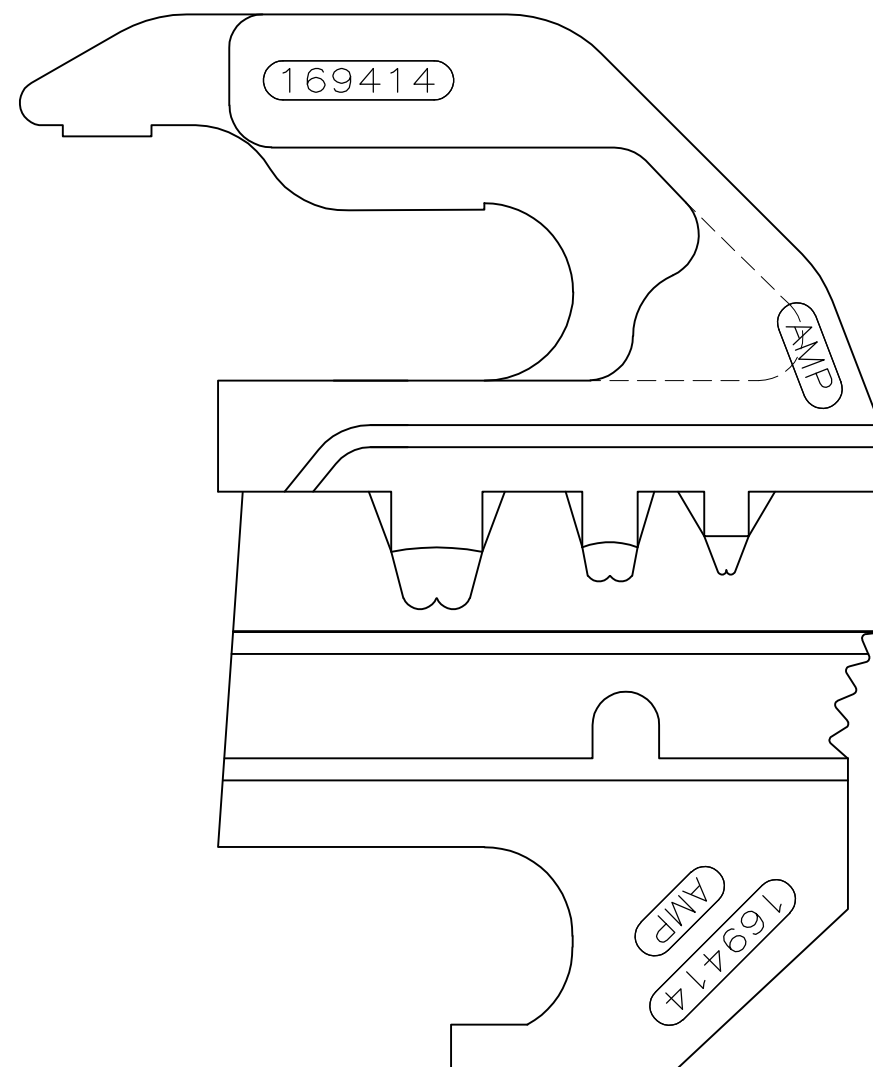
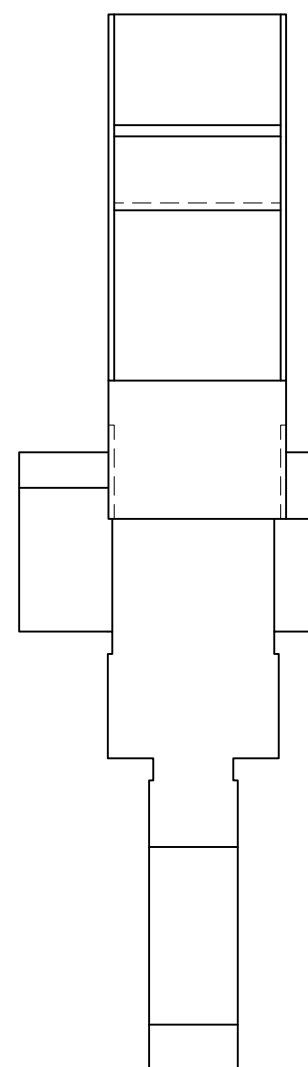
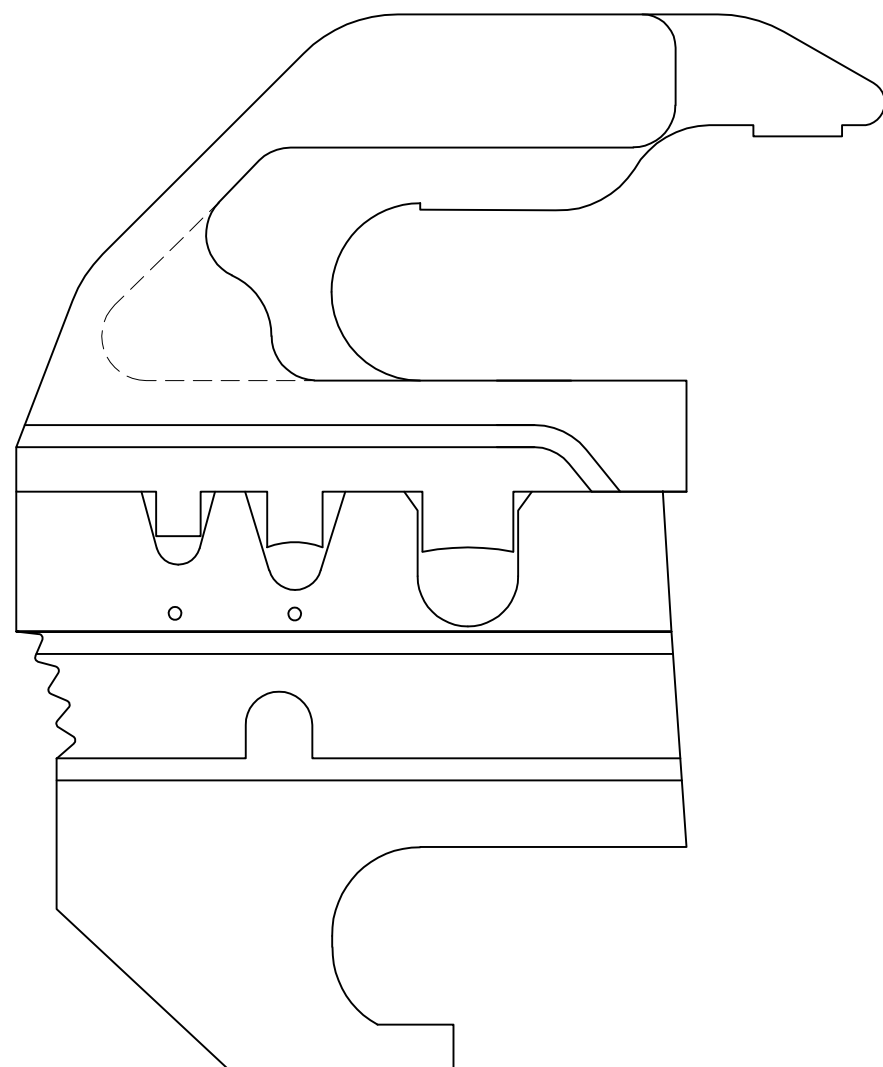
RELEASED FOR PUBLICATION

© COPYRIGHT - By -

ALL RIGHTS RESERVED.

LOC	DIST	REVISIONS					
		P	LTR	DESCRIPTION	DATE	DWN	APVD
-	-	P		REVISED PER ECO-11-005294	02APR11	RK	HMR

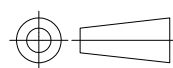
		0,2	0,75	1,5		
		III +		XI		
		0,6	1,5	3,0		



PROF	WIRE RANGE	INS. RANGE	TERMINAL
1	0,2-0,6	1,15-1,8	-
2	0,75-1,5	2,0-2,55	-
3	1,5-3,0	3,4-4,0	-

THIS DRAWING IS A CONTROLLED DOCUMENT.

DIMENSIONS:
mm



TOLERANCES UNLESS OTHERWISE SPECIFIED:

- 0 PLC ± -
- 1 PLC ± -
- 2 PLC ± -
- 3 PLC ± -
- 4 PLC ± -
- ANGLES ± -

MATERIAL

-

FINISH

-

DWN P.BEIJNON 20-3-89

CHK R.VOS

APVD L.V.SOEST

PRODUCT SPEC

-

APPLICATION SPEC

-

WEIGHT

-

CUSTOMER DRAWING

BLACK

FINISH

STEEL

MATERIAL

169414-0

PARTNUMBER



NAME
DIE SET
FOR TYPE III/XII CONT.

SIZE	CAGE CODE	DRAWING NO	RESTRICTED TO
A3	00779	C-169414	-

SCALE	SHEET	REV
-	1 OF 1	P