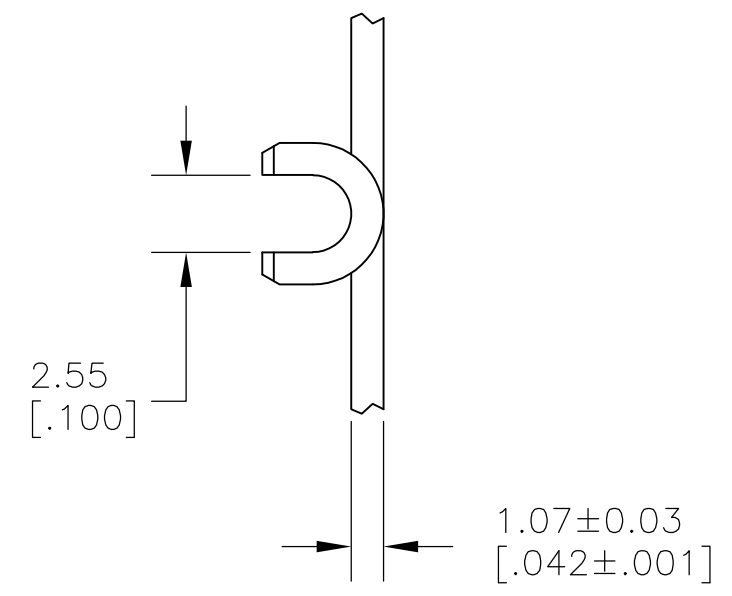
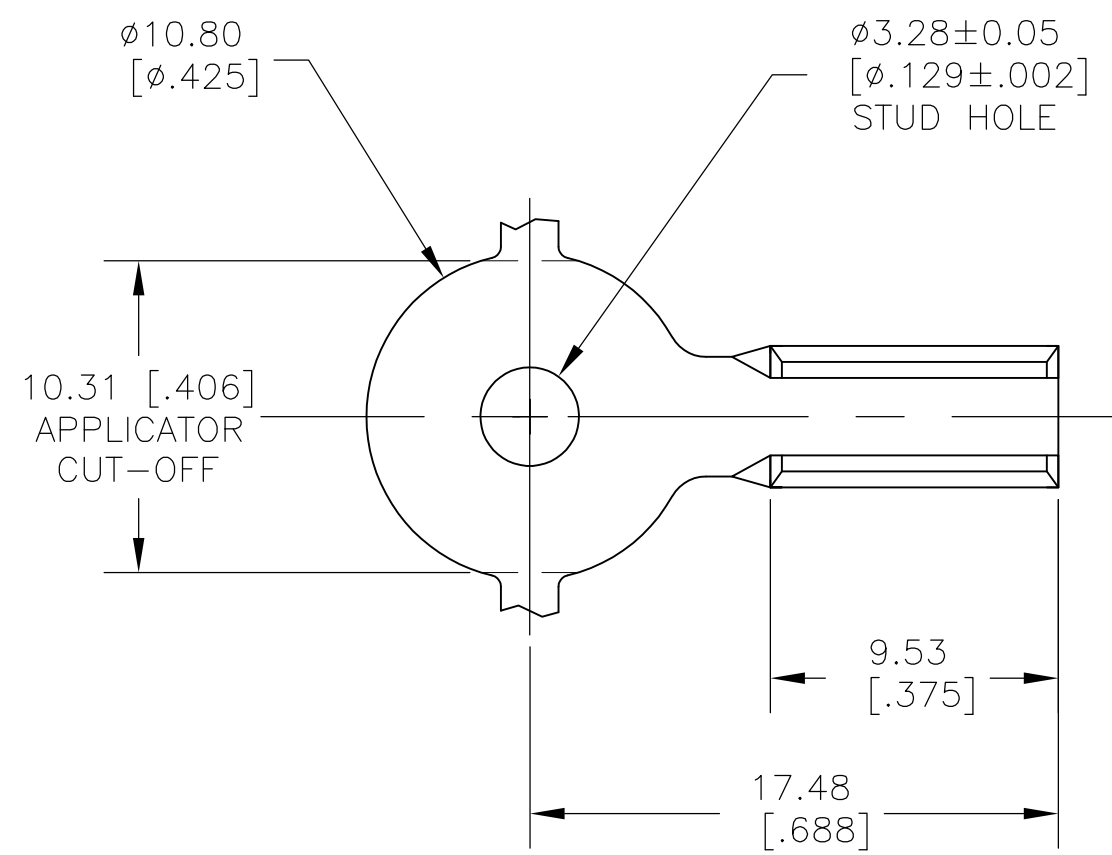


THIS DRAWING IS UNPUBLISHED. RELEASED FOR PUBLICATION
 © COPYRIGHT - BY TYCO ELECTRONICS CORPORATION. ALL RIGHTS RESERVED.

LOC	DIST	REVISIONS			
P	LTR	DESCRIPTION	DATE	DWN	APVD
AF	50	A1	REVISED PER ECR-10-018126	18SEP10	HMR PD

- 1 CONTINUOUS STRIP ON REELS
- 2 TO BE USED WITH SPECIAL 1/16" [.062] DIA GALVANIZED STEEL CABLE.



1742775-1
 PART NO

THIS DRAWING IS A CONTROLLED DOCUMENT.		DWN jr_ruth 23JAN09	Tyco Electronics Corporation Harrisburg, PA 17105-3608		
DIMENSIONS: MM [INCHES]		CHK DON DECKER 23JAN09	NAME DON DECKER		
TOLERANCES UNLESS OTHERWISE SPECIFIED: 0 PLC ± - 1 PLC ± - 2 PLC ± 0.25 [.010] 3 PLC ± - 4 PLC ± - ANGLES ± 5°		APVD DON DECKER 23JAN09	PRODUCT SPEC -		
MATERIAL CR STEEL		FINISH NICKEL PLATE	APPLICATION SPEC -	SIZE A3	CAGE CODE 00779
CUSTOMER DRAWING			DRAWING NO G-1742775	RESTRICTED TO -	SCALE 4:1
			SHEET 1 OF 1	REV A1	