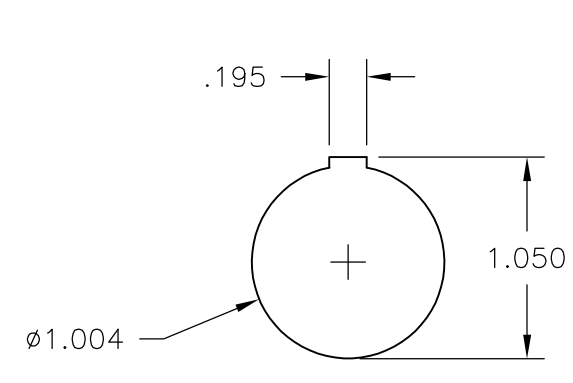
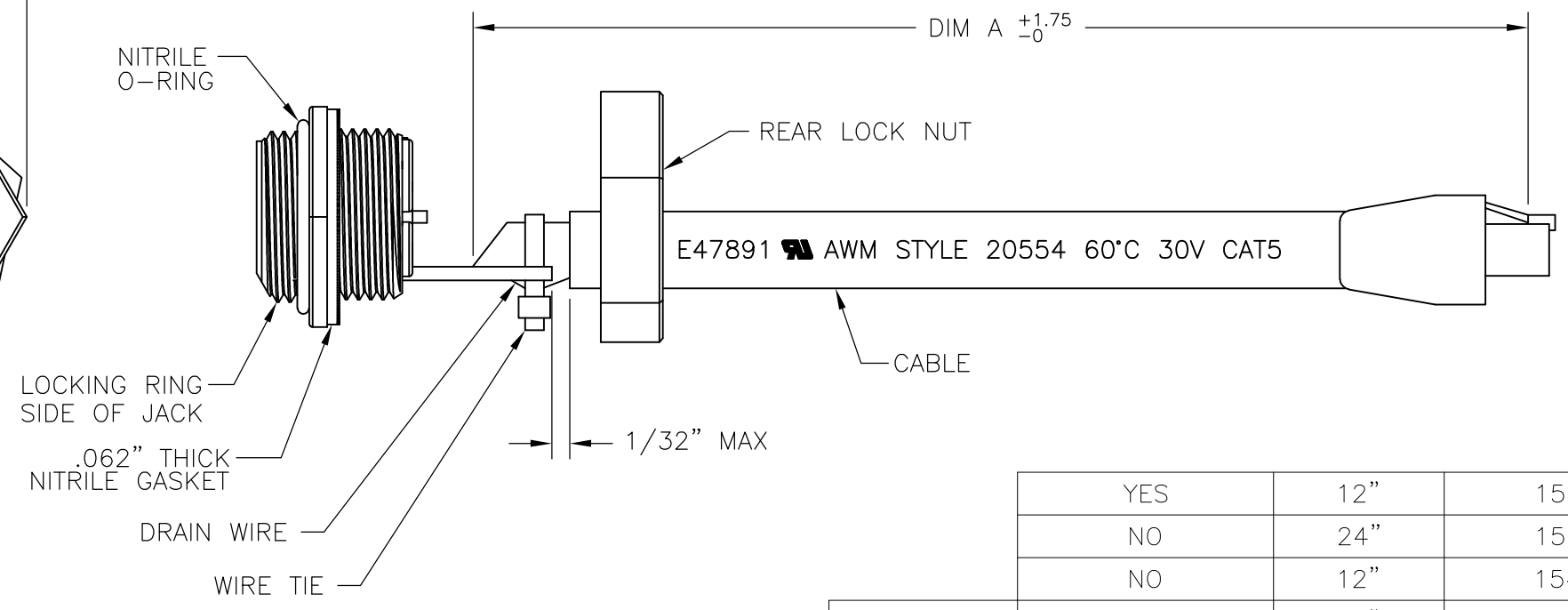
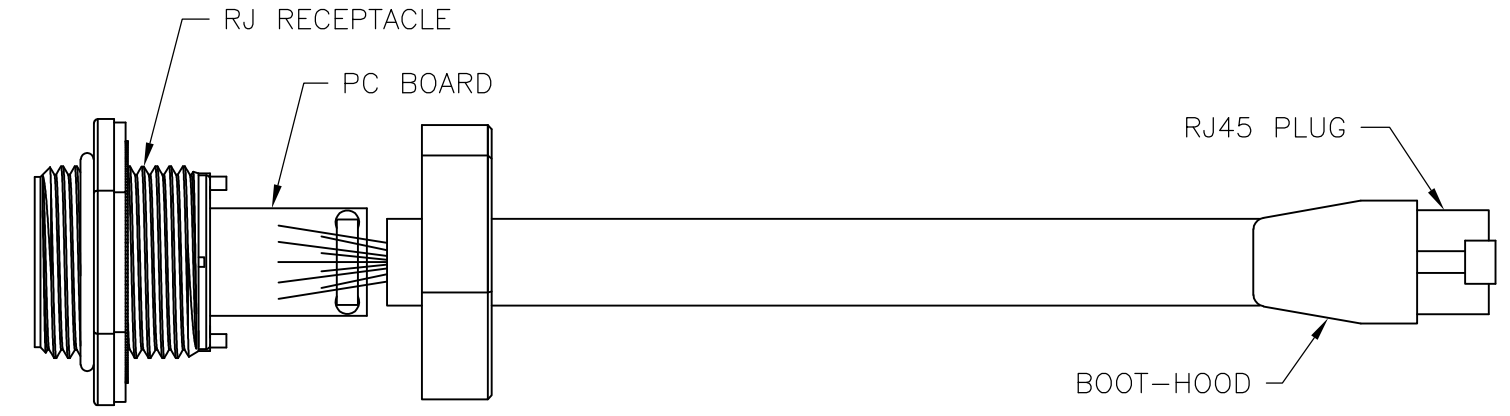
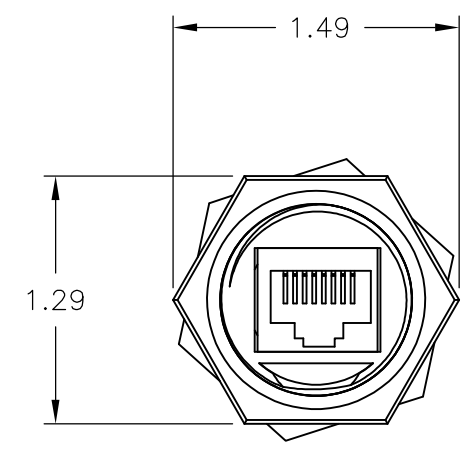


THIS DRAWING IS UNPUBLISHED. RELEASED FOR PUBLICATION  
 © COPYRIGHT - By - ALL RIGHTS RESERVED.

LOC	DIST	REVISIONS					
FT	0	P	LTR	DESCRIPTION	DATE	DWN	APVD
			F2	REVISED PER ECO-11-004820	11MAR11	RK	HMR



BACKEND DIMS. OF RECEPTACLE



WIRE LIST	
PIN (SAME FOR BOTH CONNECTORS)	
1	WHT/BLU
2	BLUE
3	WHT/ORG
4	GREEN
5	WHT/GRN
6	ORG
7	WHT/BROWN
8	BROWN
GRND	

**MATERIALS:**  
 BOOT-HOOD: POLYOLEFIN, BLACK.  
 JACK: CAT 5E PCB.  
 LOCKNUT: ABS, 10% GLASS FILLED, BLACK.  
 PANEL MOUNT HOUSING: CLCOLAC  
 CABLE: 26 AWG 8 CONDUCTOR BLACK PVC JACKET.

	YES	12"	1546414-6
	NO	24"	1546414-5
	NO	12"	1546414-4
SUPERSEDED	YES	12"	1546414-3
SUPERSEDED	NO	24"	1546414-2
SUPERSEDED	NO	12"	1546414-1
	CABLE TIE	DIM A	PART NUMBER

THIS DRAWING IS A CONTROLLED DOCUMENT.		DWN	S SCHLEGEL	09OCT2002	<b>STE</b> TE Connectivity		
DIMENSIONS: INCHES		CHK	H WAKEEM	10/9/02			
TOLERANCES UNLESS OTHERWISE SPECIFIED:		APVD	H WAKEEM	10/9/02	ETHERNET PANEL MOUNT RECEPTACLE		
0 PLC ± -		PRODUCT SPEC		RJ-45 BULKHEAD PASS THROUGH			
1 PLC ± -		APPLICATION SPEC		WITH PATCH CORD			
2 PLC ± .02		SIZE	A3	CAGE CODE	00779	DRAWING NO	C-1546414
3 PLC ± .005		WEIGHT		RESTRICTED TO		-	
4 PLC ± -		CUSTOMER DRAWING					
ANGLES ± 2'		SCALE		SHEET		REV	
FINISH -		NTS		1 OF 1		F2	