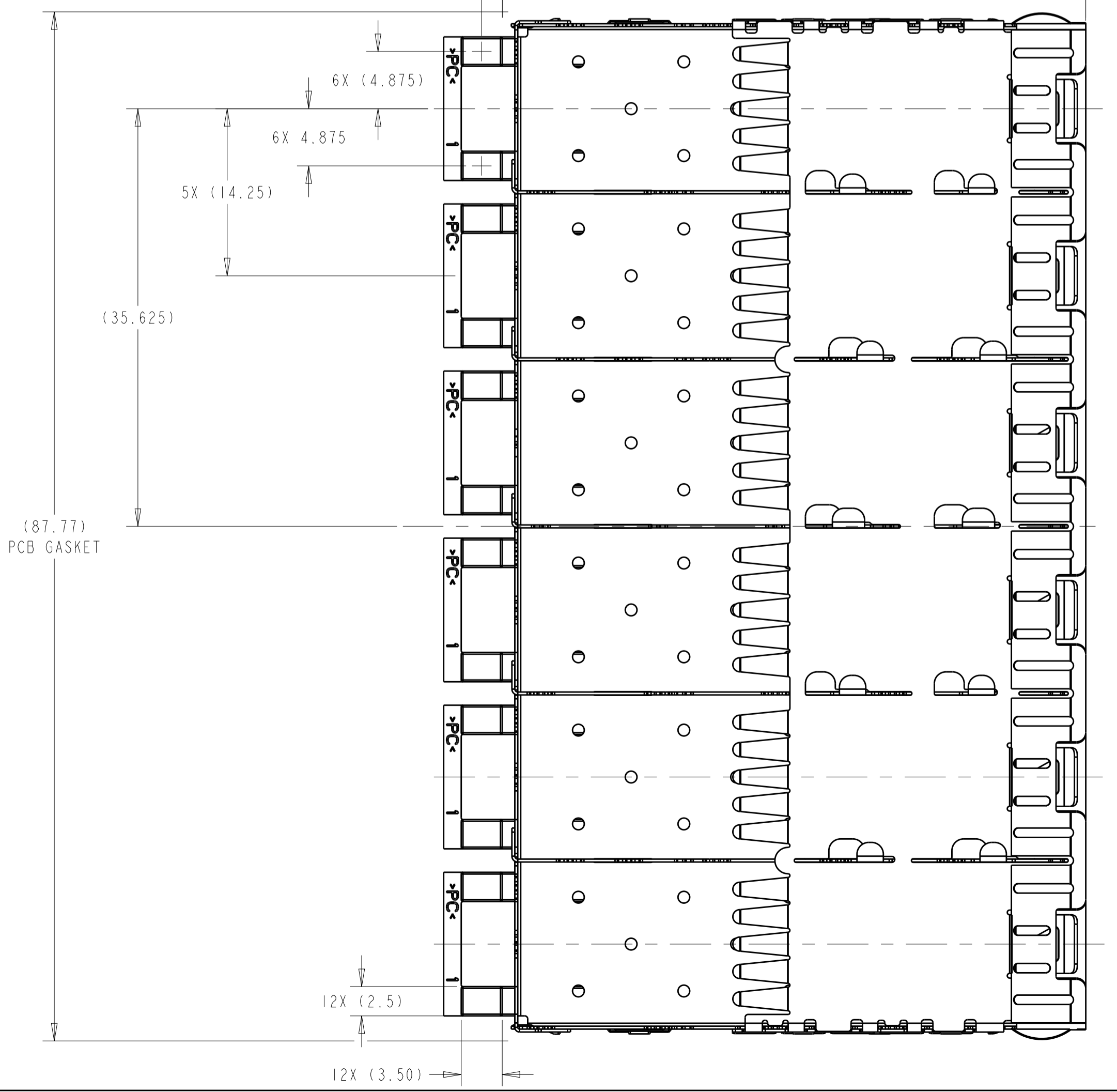
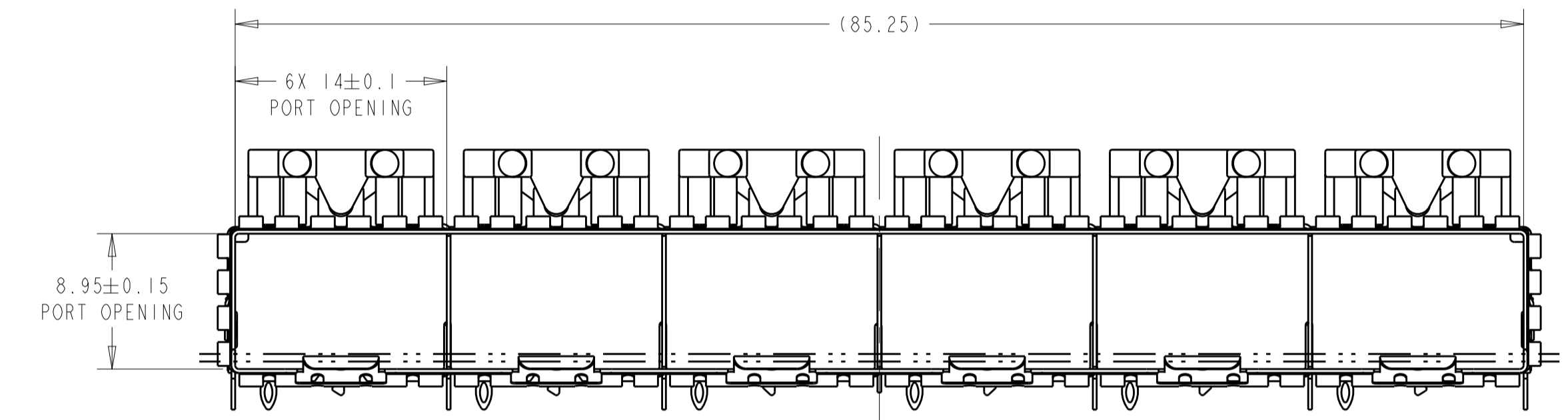
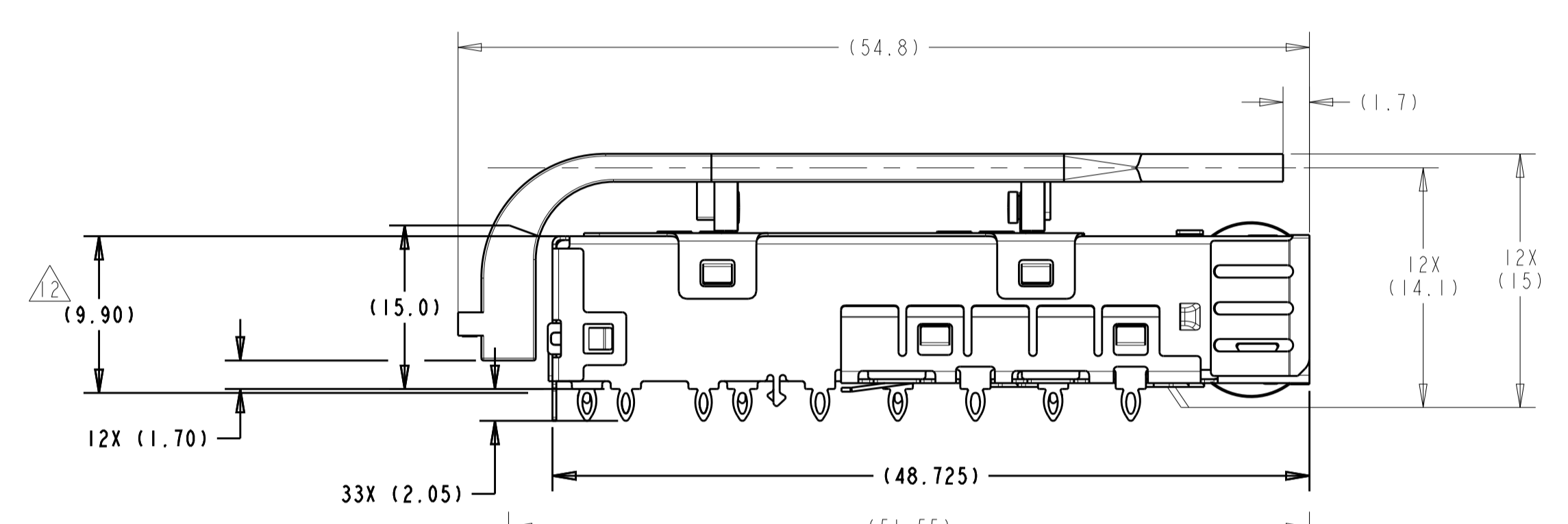
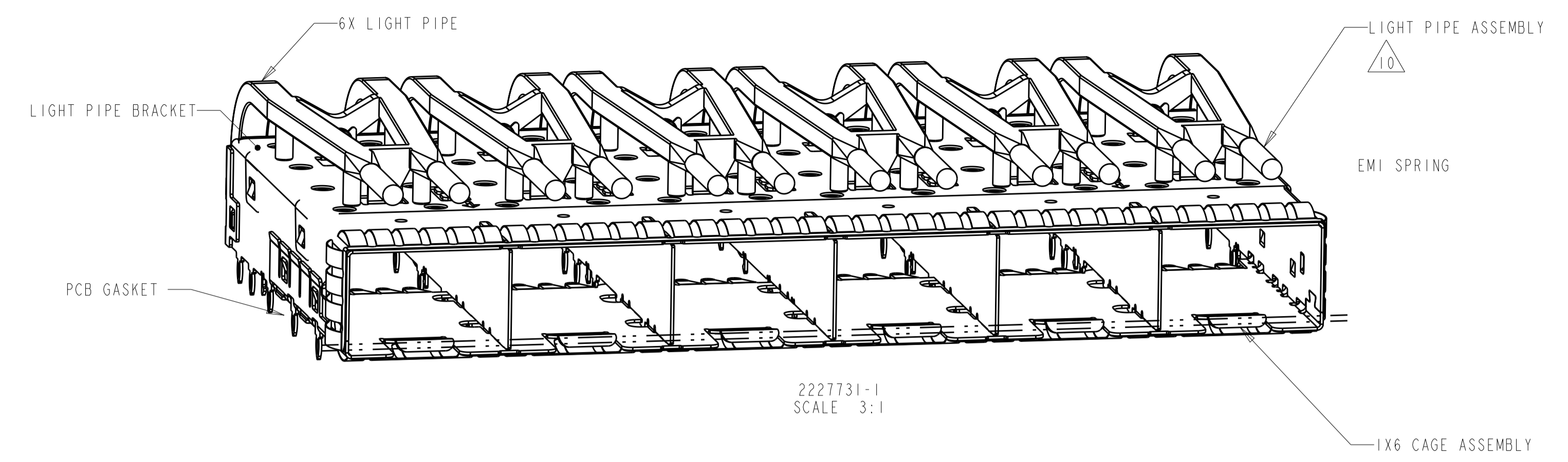


LOC	DIST	REVISIONS			
P	LTN	DESCRIPTION	DATE	DWN	APVD
A		REVISED PER ECO-15-002647	06MAR2015	AP	MS
B		REVISED PER ECO-15-007912	29MAY2015	PP	SH
B1		REVISED PER ECO-16-014593	13FEB2017	JW	SH

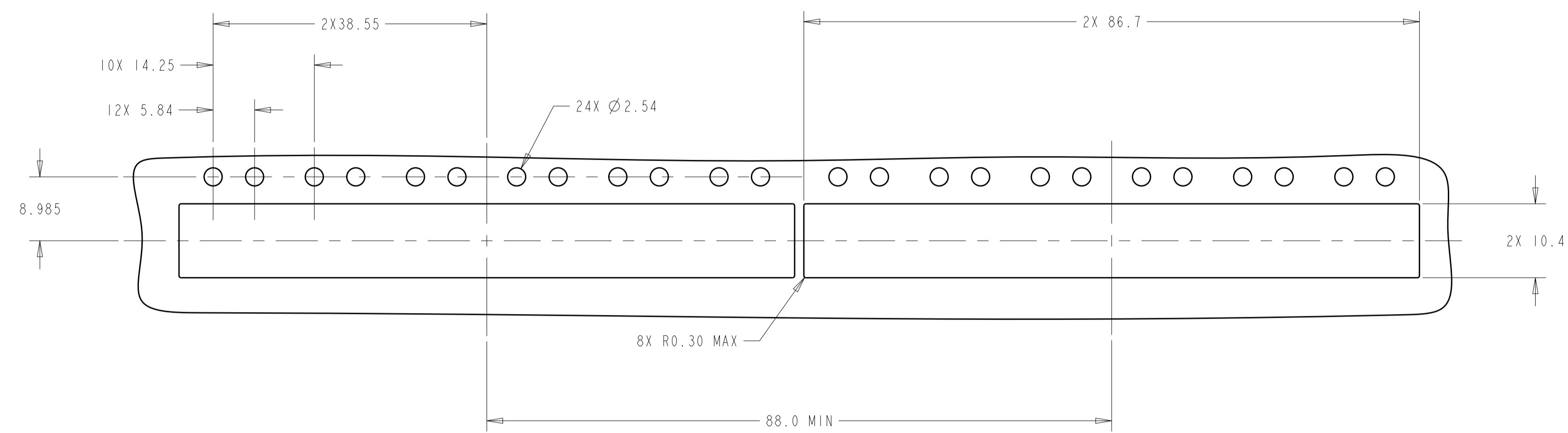
- 1 MATERIAL:  
 CAGE ASSEMBLY: NICKEL SILVER ALLOY, (0.25mm)  
 PCB GASKET: RF ABSORBER  
 EMI SPRINGS: PHOSPHOR BRONZE  
 LIGHT PIPE BRACKET: STAINLESS STEEL  
 LIGHT PIPE: POLYCARBONATE, CLEAR
- 2 MINIMUM PC BOARD THICKNESS:  
 SINGLE SIDE = 1.45mm  
 BELLY TO BELLY = 2.25mm
- 3 PADS AND VIAS CHASSIS GROUND
- 4 DATUM AND BASIC DIMENSION ESTABLISHED BY CUSTOMER
- 5 MATES WITH SFP MSA COMPLIANT TRANSCEIVERS
- 6 INTERPRETATION OF DATUM REFERENCE FRAME IN ACCORDANCE WITH SECT 4.4.1.1 OF ASME Y14.5M-1994
- 7 REFERENCE APPLICATION SPEC. 114-13120, HOLE A, FOR RECOMMENDED DRILL HOLE DIAMETER AND PLATING THICKNESS
- 8 REFERENCE APPLICATION SPEC. 114-13120, HOLE B, FOR RECOMMENDED DRILL HOLE DIAMETER AND PLATING THICKNESS
- 9 HOLE PATTERN REPEATS FOR EACH PORT, SPACING BETWEEN PORTS IS 14.25mm
- 10 LIGHT PIPE ASSEMBLY SHIPPED UNASSEMBLED TO CAGE ASSEMBLY, CAGE ASSEMBLY TO BE PRESSED INTO THE PCB PRIOR TO ATTACHING LIGHT PIPE ASSEMBLY TO CAGE
- 11 PRODUCT COMPLIES WITH SPECIFICATION SFF-8433, IMPROVED PLUGGABLE FORM FACTOR FOR SFP+ GANGED CAGES
- 12 CONTACT STANDOFF WILL PIERCE GASKET WHEN PROPERLY PRESSED INTO PCB.



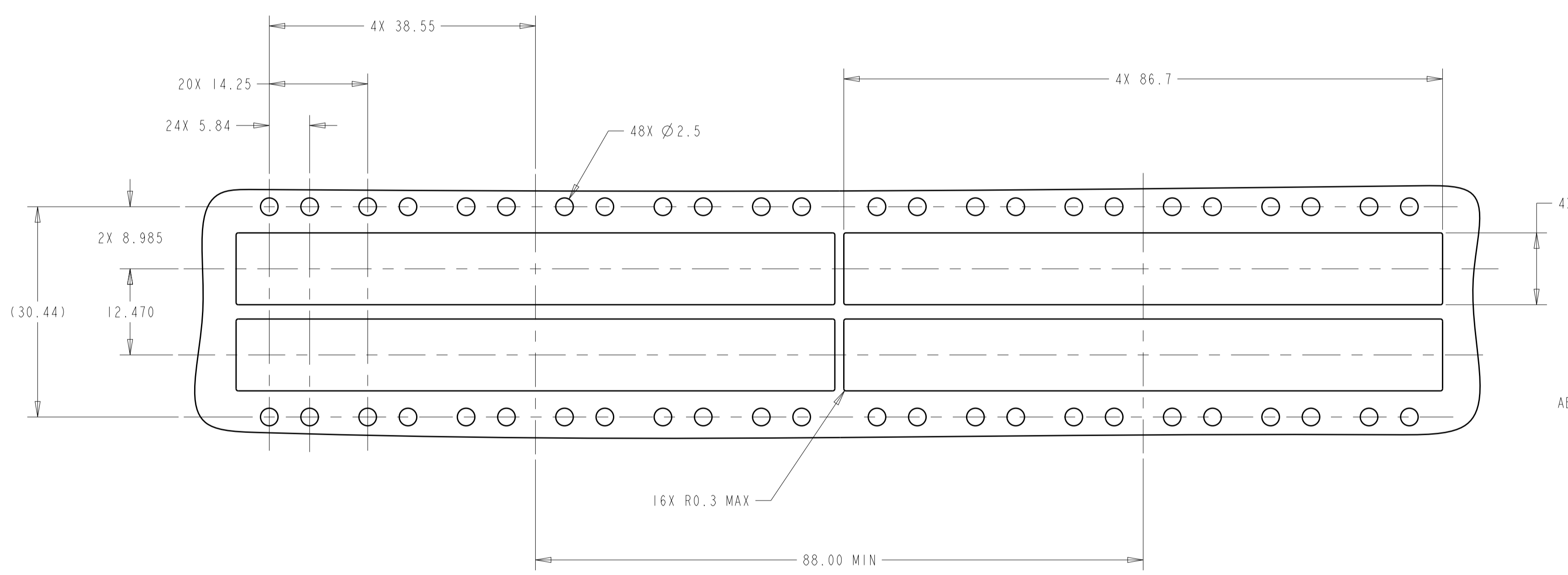
2227731-1  
 PART NUMBER

THIS DRAWING IS A CONTROLLED DOCUMENT. DIMENSIONING AND TOLERANCING PER ASME Y14.5M-2009		DWN: C. VALENTINE 08MAR2013 CHK: M. PHILLIPS 08MAR2013 APVD: M. PHILLIPS 08MAR2013	TE Connectivity <b>NAME</b> CAGE ASSEMBLY WITH LIGHT PIPES, PRESS-FIT, EMI SPRINGS, 1X6, zSFP+ <b>PRODUCT SPEC</b> <b>APPLICATION SPEC</b>
<b>DIMENSIONS:</b> mm  <b>TOLERANCES UNLESS OTHERWISE SPECIFIED:</b> 0 PLC ±0.1 1 PLC ±0.1 2 PLC ±0.08 3 PLC ±0.05 4 PLC ± ANGLES ±°	<b>MATERIAL</b> SEE NOTES <b>FINISH</b> SEE NOTES	<b>SIZE</b> A1 <b>CAGE CODE</b> 00779 <b>DRAWING NO</b> 2227731 <b>WEIGHT</b> Customer Drawing	

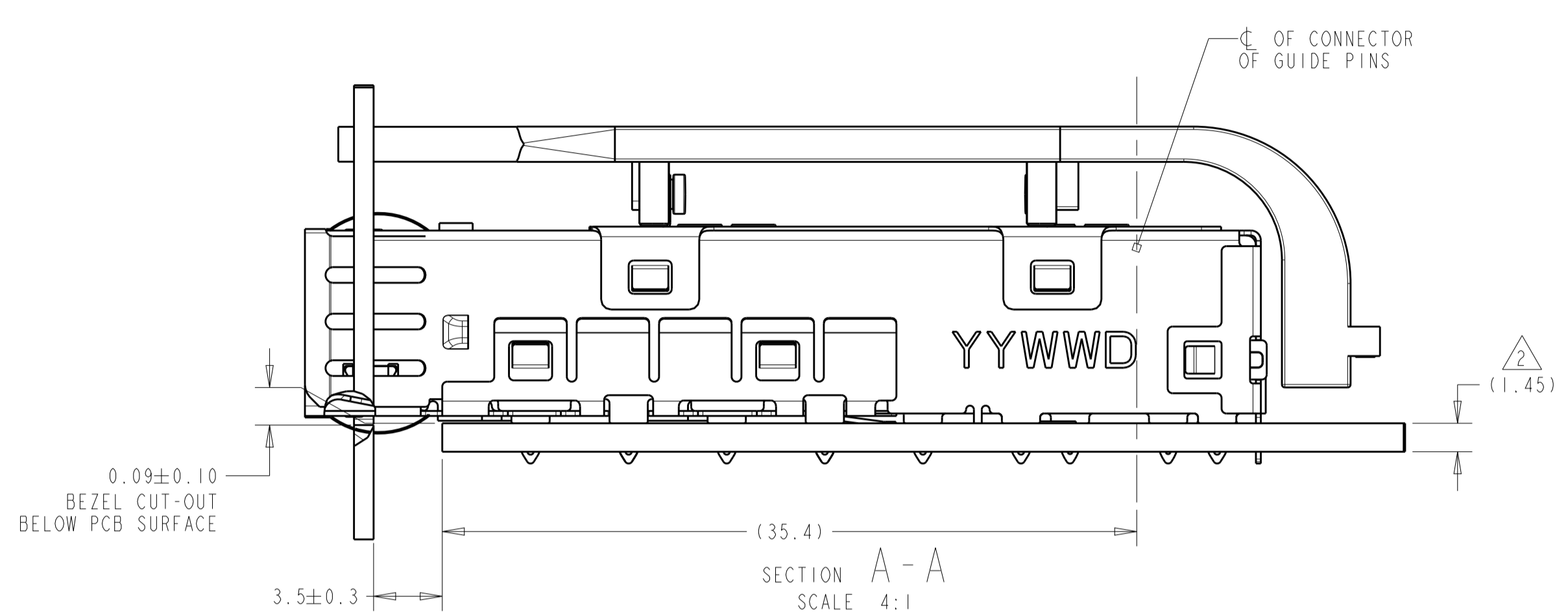
LOC	DIST	REVISIONS					
GP	00	P.	LTH	DESCRIPTION	DATE	DMN	APVD
-	-	-	-	SEE SHEET 1	-	-	-



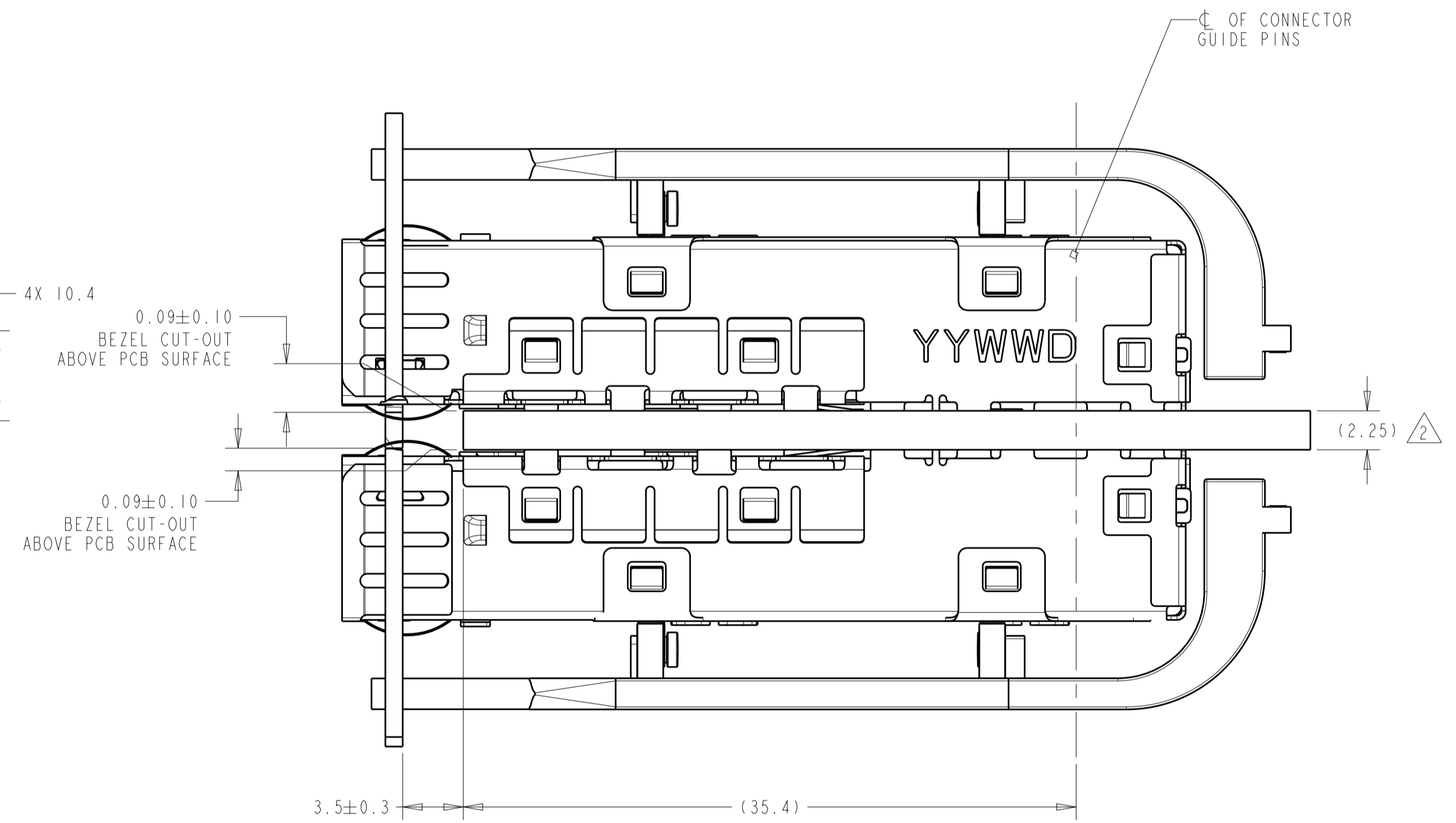
RECOMMENDED BEZEL OPENING  
 SINGLE SIDED APPLICATIONS  
 SCALE 2:1



RECOMMENDED BEZEL OPENING  
 BELLY TO BELLY APPLICATION  
 SCALE 2:1



MOUNTED ON PC BOARD  
 SHOWN THRU RECOMMENDED BEZEL  
 SCALE 4:1

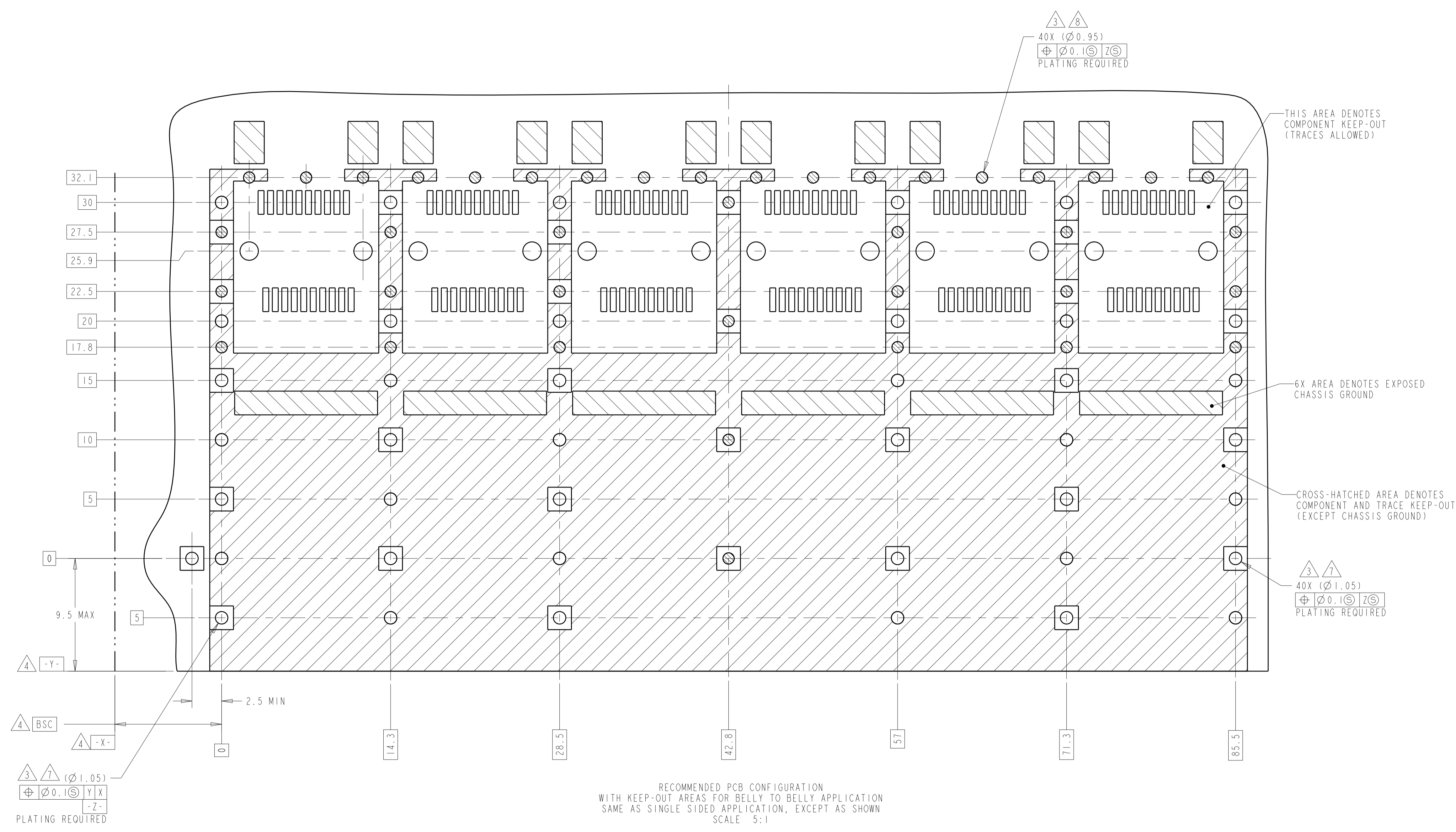


MOUNTED BELLY TO BELLY ON PC BOARD  
 SHOWN THRU RECOMMENDED BEZEL  
 SCALE 4:1

THIS DRAWING IS A CONTROLLED DOCUMENT. DIMENSIONING AND TOLERANCING PER ASME Y14.5M-2009		DMN C. VALENTINE 08MAR2013	TE Connectivity
DIMENSIONS: mm		CHK M. PHILLIPS 08MAR2013	
TOLERANCES UNLESS OTHERWISE SPECIFIED:		APVD M. PHILLIPS 08MAR2013	NAME CAGE ASSEMBLY WITH LIGHT PIPES, PRESS-FIT, EMI SPRINGS, 1X6, zSFP+
0 PLC ±0.1 1 PLC ±0.1 2 PLC ±0.08 3 PLC ±0.05 4 PLC ± ANGLES ±°		PRODUCT SPEC	
MATERIAL SEE NOTES		APPLICATION SPEC	SIZE CAGE CODE DRAWING NO RESTRICTED TO
FINISH SEE NOTES		WEIGHT	A1 00779 C=2227731
		Customer Drawing	SCALE 1:1 SHEET 2 OF 4 REV B1



LOC	DIST	REVISIONS			
P	LTN	DESCRIPTION	DATE	DMN	APVD
-	-	SEE SHEET 1	-	-	-



THIS DRAWING IS A CONTROLLED DOCUMENT. DIMENSIONING AND TOLERANCING PER ASME Y14.5M-2009		DMN C. VALENTINE 08MAR2013	NAME CAGE ASSEMBLY WITH LIGHT PIPES, PRESS-FIT, EMI SPRINGS, 1X6, zSFP+
DIMENSIONS: mm		CHK M. PHILLIPS 08MAR2013	RESTRICTED TO
TOLERANCES UNLESS OTHERWISE SPECIFIED:		APVD M. PHILLIPS 08MAR2013	SIZE A1
0 PLC ±0.1	1 PLC ±0.1	PRODUCT SPEC	SCALE 1:1
2 PLC ±0.08	3 PLC ±0.05	APPLICATION SPEC	SHEET 4 OF 4
4 PLC ±	ANGLES ±1°	WEIGHT	REV B1
MATERIAL SEE NOTES	FINISH SEE NOTES	Customer Drawing	00779 ©=2227731