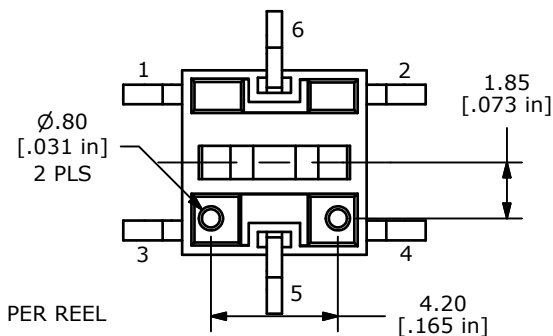
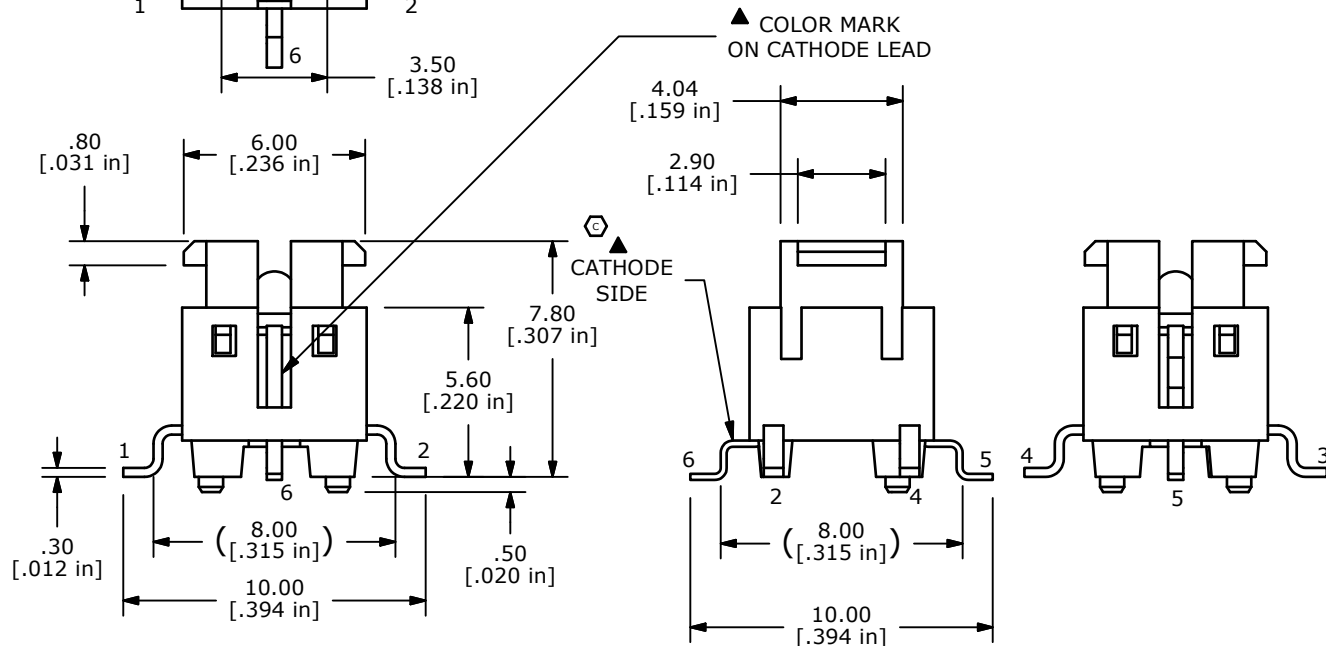
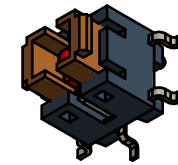
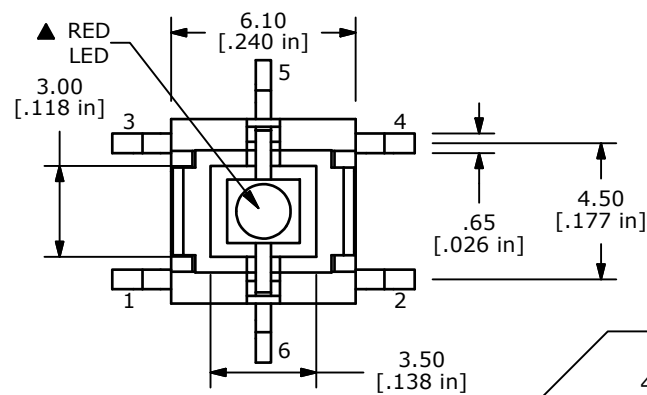


- NOTES:
1. ALL DIMENSIONS IN MM [INCH]
  2. GENERAL TOLERANCE: X.X=±0.4  
X.XX=±0.25
  3. CONTACT RATING: 50mA @ 12VDC
  4. CONTACT RESISTANCE: 100 mΩ MAX.
  5. INSULATION RESISTANCE: 100MΩ MIN @ 500VDC.
  - ▲ 6. OPERATING FORCE: 100 ± 50gf
  7. TRAVEL: 0.2 ± 0.1mm
  8. OPERATING TEMPERATURE: -25°C TO + 70°C
  9. OPERATING LIFE: 200,000 CYCLES
  - ▲ 10. LED: RED
  11. ▲ DENOTES CRITICAL PARAMETERS
  12. 2002/95/EC (ROHS) COMPLIANT
  13. PARTS TO BE PACKAGED IN TAPE & REEL, 450 PIECES PER REEL



▲ LED SPECS	UNITS	VALUE
FORWARD CURRENT	mA	20
FORWARD VOLTAGE @20mA	V	1.8 TYP; 2.6 MAX
LUMINOUS INTENSITY @ 20mA	mcd	75 TYP

REV	PCR NO	DESCRIPTION	DATE	BY
C	21746	Changed cathode position to pin 6	12/29/14	rc
B	20570	Chg T&R qty from 500 to 450	4/25/12	rc
A	20373	New Release	12/12/11	rc



TITLE TL3240F100R

SCALE	DATE	DR	DWG	REV
4	12/12/2011	rc	N324003	C

THE INFORMATION CONTAINED IN THIS DOCUMENT IS PROPRIETARY TO E-SWITCH AND IS NOT TO BE COPIED OR TRANSFERRED