

# AC centrifugal fan

forward curved, dual inlet  
with housing (without flange)

**ebm-papst Mulfingen GmbH & Co. KG**

Bachmühle 2  
74673 Mulfingen  
Phone: +49 7938 81-0  
Fax: +49 7938 81-110  
www.ebmpapst.com  
info1@de.ebmpapst.com

## Nominal data

| Type                          | D2E133-AM47-01       |      |      |         |
|-------------------------------|----------------------|------|------|---------|
| Motor                         | M2E068-DF            |      |      |         |
| Phase                         |                      | 1~   | 1~   | 1~      |
| Nominal voltage               | [V]                  | 230  | 230  | 230     |
| Frequency                     | [Hz]                 | 50   | 60   | 60      |
| Type of data definition       |                      | rfa  | ml   | ml      |
| Valid for approval / standard |                      | CE   | CE   | UL 2111 |
| Speed                         | [min <sup>-1</sup> ] | 1500 | 1800 | 1800    |
| Power input                   | [W]                  | 190  | 200  | 210     |
| Current draw                  | [A]                  | 0.84 | 0.88 | 0.92    |
| Motor capacitor               | [µF]                 | 3    | 3    | 3       |
| Capacitor voltage             | [VDB]                | 450  | 450  | 450     |
| Capacitor standard            |                      |      |      | UL      |
| Min. back pressure            | [Pa]                 | 0    | 100  | 100     |
| Max. ambient temperature      | [°C]                 | 35   | 25   | 25      |

ml = max. load · me = max. efficiency · rfa = running at free air · cs = customer specs · cu = customer unit  
Subject to alterations

# AC centrifugal fan

forward curved, dual inlet  
with housing (without flange)

## Technical features

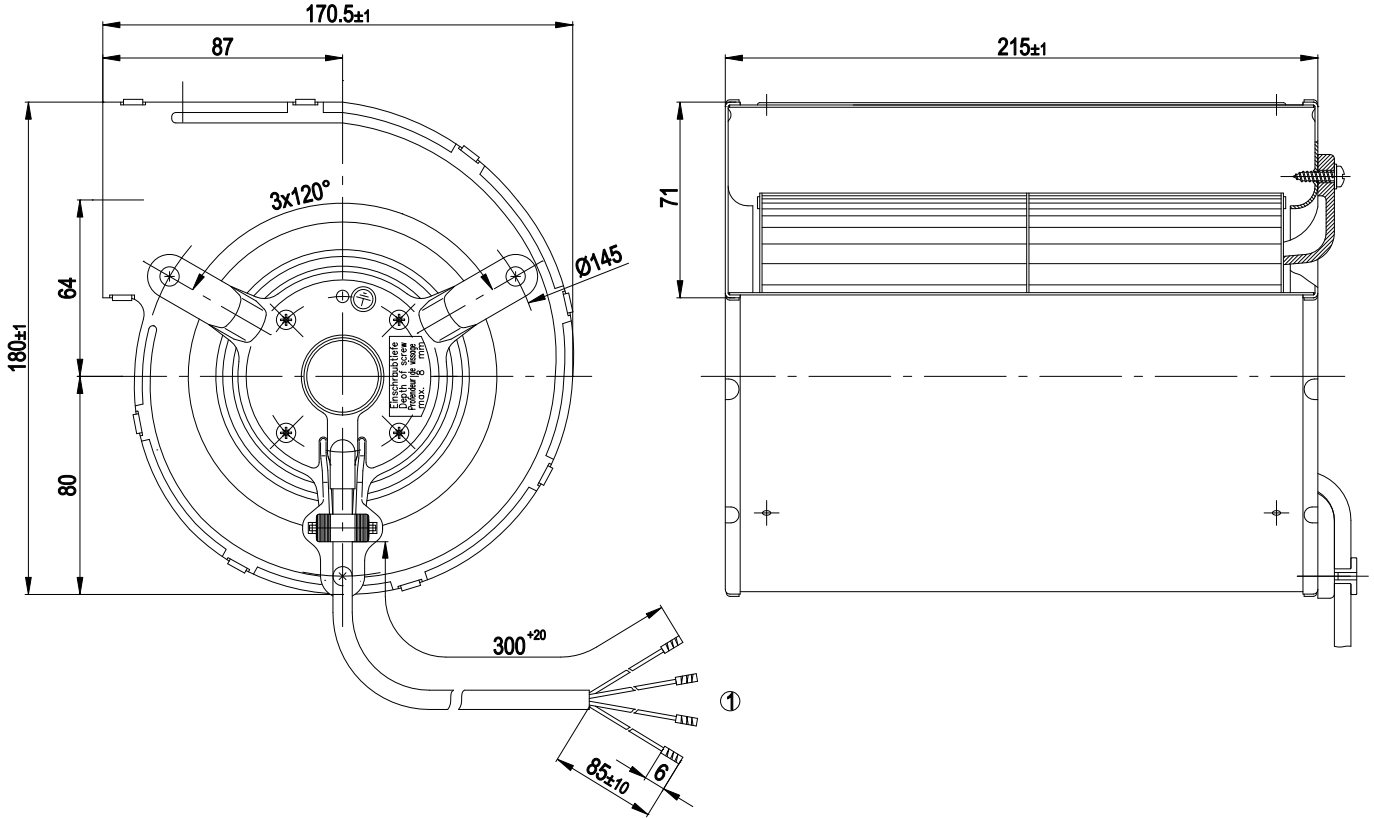
|   |   |
|---|---|
| Leakage current   | < 0.75 mA   |
| Size  | 133 mm  |
| Operation mode  | S1  |
| Direction of rotation                                   | Clockwise, seen on rotor                          |
| Mounting position                                       | Any   |
| Humidity class  | F0  |
| Insulation class  | "B"   |
| Cable exit  | Axial   |
| Condensate discharge holes                              | None  |
| Bearing motor   | Ball bearing                                      |
| Mass  | 3.48 kg   |
| Housing material  | Sheet steel, hot-galvanised                       |
| Material of impeller                                    | Sheet steel, hot-galvanised                       |
| Motor suspension  | Motor mounted via brackets on one side            |
| Motor protection  | Thermal overload protector (TOP) wired internally |
| Product conforming to standard                          | CE; EN 60335-1                                    |
| Surface of rotor  | Partially cast in aluminium                       |
| Type of protection                                      | IP 44; Depending on installation and position     |
| Protection class  | I   |
| Max. permissible ambient motor temp. (transp./ storage) | + 80 °C   |
| Min. permissible ambient motor temp. (transp./storage)  | - 40 °C   |
| Approval  | CCC   |

D2E133-AM47-01

# AC centrifugal fan

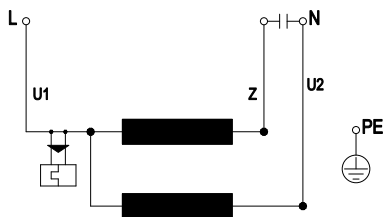
forward curved, dual inlet  
with housing (without flange)

## Product drawing



1 Connection line PVC, 4x brass lead tips crimped

## Connection screen

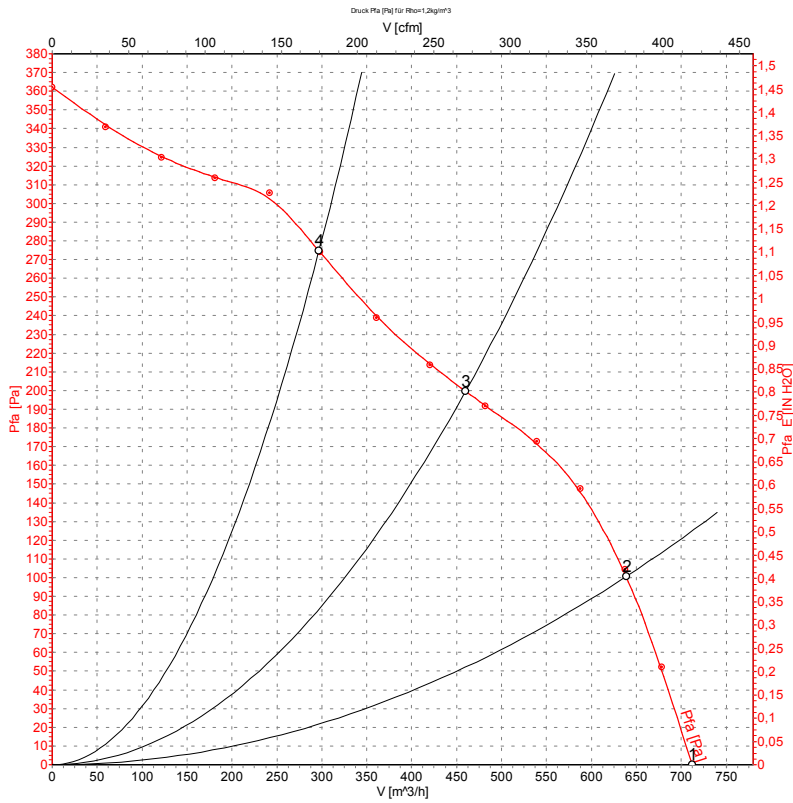


|    |              |   |       |    |       |
|----|--------------|---|-------|----|-------|
| U1 | blue         | Z | brown | U2 | black |
| PE | green/yellow |   |       |    |       |

# AC centrifugal fan

forward curved, dual inlet  
with housing (without flange)

## Charts: Air flow 50 Hz



Measurement: LU-105263

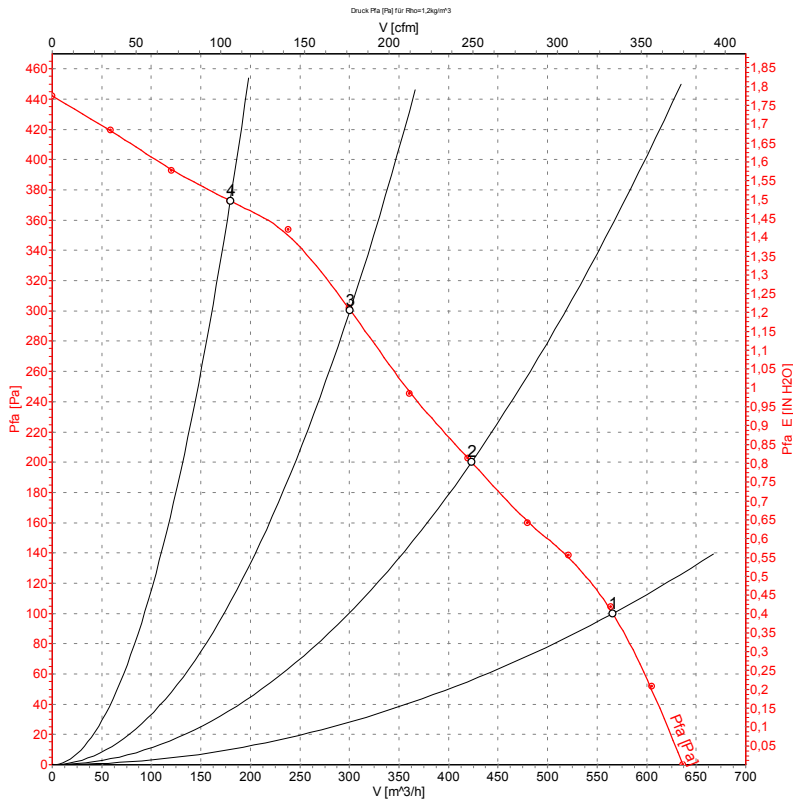
## Measured values

|   | U   | f    | n                    | P <sub>1</sub> | I    | $\hat{V}$           | P <sub>fa</sub> |
|---|-----|------|----------------------|----------------|------|---------------------|-----------------|
|   | [V] | [Hz] | [min <sup>-1</sup> ] | [W]            | [A]  | [m <sup>3</sup> /h] | [Pa]            |
| 1 | 230 | 50   | 1500                 | 190            | 0.84 | 710                 | 0               |
| 2 | 230 | 50   | 1890                 | 164            | 0.72 | 640                 | 102             |
| 3 | 230 | 50   | 2310                 | 141            | 0.61 | 460                 | 200             |
| 4 | 230 | 50   | 2570                 | 118            | 0.52 | 295                 | 275             |

# AC centrifugal fan

forward curved, dual inlet  
with housing (without flange)

## Charts: Air flow 60 Hz



Measurement: LU-105265

### Measured values

|   | U   | f    | n                    | P <sub>1</sub> | I    | Ŷ      | P <sub>fa</sub> |
|---|-----|------|----------------------|----------------|------|--------|-----------------|
|   | [V] | [Hz] | [min <sup>-1</sup> ] | [W]            | [A]  | [m³/h] | [Pa]            |
| 1 | 230 | 60   | 1800                 | 200            | 0.88 | 565    | 100             |
| 2 | 230 | 60   | 2310                 | 181            | 0.78 | 425    | 200             |
| 3 | 230 | 60   | 2685                 | 170            | 0.74 | 300    | 300             |
| 4 | 230 | 60   | 2945                 | 159            | 0.70 | 180    | 375             |