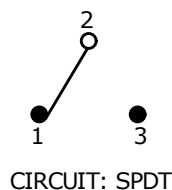
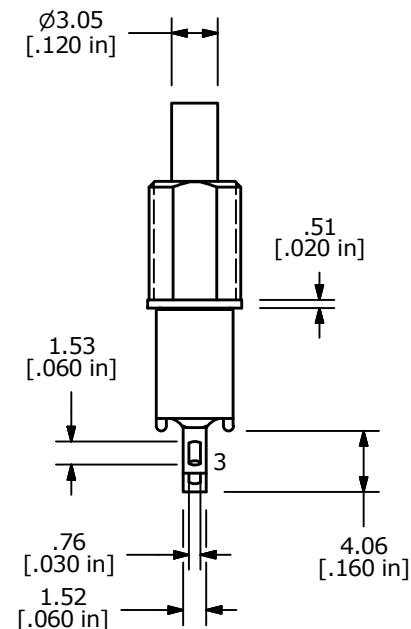
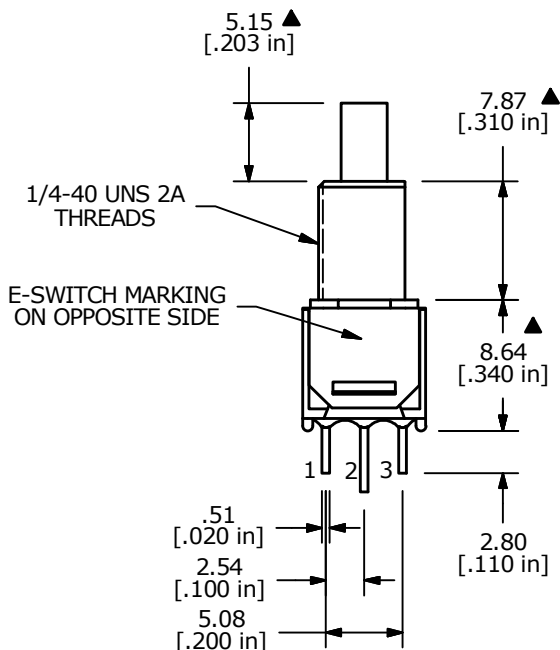


SWITCH FUNCTION	
POS. 1	POS. 2
ON	(ON)
2-1	2-3

(ON)=MOMENTARY



- NOTE:
1. ALL DIMENSIONS IN MM [INCH]
 2. GENERAL TOLERANCE: X.X=±0.4
X.XX=±0.25
 3. TERMINAL NUMBERS FOR REF ONLY
 - ▲ 4. CONTACT MATERIAL: SILVER
 - ▲ 5. RATING: 1A @ 250 VAC
3A @ 120 VAC OR 28 VDC
 6. MECHANICAL LIFE: 50,000 MAKE-AND-BREAK CYCLES
 7. CONTACT RESISTANCE: 20 mΩ MAX. INITIAL @ 2-4VDC
100mA FOR BOTH GOLD AND SILVER CONTACTS
 8. INSULATION RESISTANCE: 1,000 MEGA-OHM MIN.
 9. DIELECTRIC STRENGTH: 1,000 V RMS @SEA LEVEL.
 10. OPERATING TEMP.: -30°C to 85°C
 11. ▲ DENOTES CRITICAL PARAMETER.
 12. 2002/95/EC (ROHS) COMPLIANT



E	21937	Correct Switch Function Diagram	7/31/15	MW
D	20023	UPDATE DRAWING	06/23/11	BMA
C	14753	REVISED AND REDRAWN	03/09/05	AR
REV	PCR NO	DESCRIPTION	DATE	BY

E-SWITCH®

TITLE 800SP8B9M1QE

SCALE 2:1	DATE 5/29/1996	DR MM	DWG T822013	REV E
-----------	----------------	-------	-------------	-------