

# SIDEWINDER® - CURRENT SENSOR

PA3207NL Series



- Unique, non-round shape
- Fits ANSI buss bar of 0.750" x 0.093"
- Dynamic Range from 0.1 to 1000 Amps
- Meets ANSI C12.20 Accuracy Class 0.2
- Phase error < 0.05 degree
- Bandwidth 120KHZ
- Immune to external AC magnetic fields
- Immune to DC current & magnetic field
- Low temperature coefficient
- Patent pending

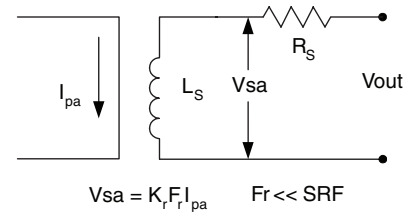
Electrical Specifications at 25°C Temp Range -40°C to 130°C							Actual Secondary Output Voltage (Vsa)	
Part Number	Accuracy Class <sup>3</sup>	Kr <sup>4</sup> (μΩ/Hz typ)	Pri-Sec Isolation (V min)	Ls <sup>5</sup> (mH typ)	Rs <sup>6</sup> (Ohms typ)	SRF <sup>7</sup> (Hz typ)	@ 50 Hz (μV/A) <sup>1</sup>	@ 60 Hz (μV/A) <sup>1</sup>
PA3207NL	0.2	8.16	6,000	1.86	66.0	120,000	408	490

EQUATIONS:  $V_{sa} = K_r F_r I_{pa}$   
 $F_r \ll SRF$

**NOTES:**

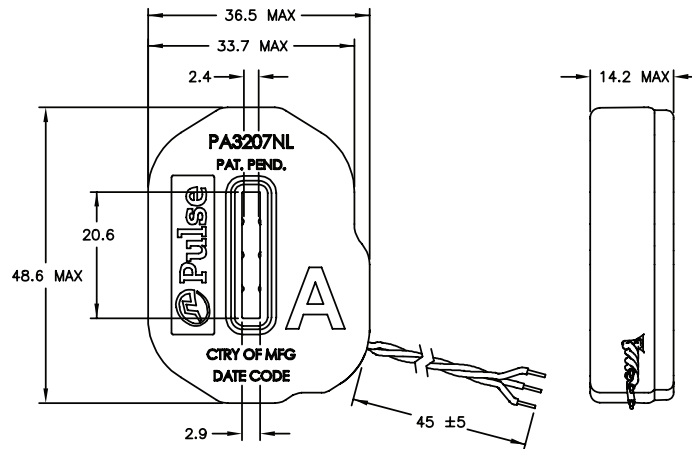
1. Output Voltage is proportional to the derivative (di/dt) of the input current based on the Rogowski Coil principle.
2. All current and voltages assumed to be sinusoidal waveforms at Fr, the constant rated frequency in Hz, measured as RMS values.
3. Accuracy Class per IEC 60044-1 Table 11 where:
  - Percentage current error =  $((Kr \cdot Fr \cdot I_{pa} - V_{out}) / V_{out}) \times 100$
  - Phase displacement = the difference between the primary current (Ipa) phase vector and the (secondary voltage (Vout) phase vector minus 90 degrees), in minutes
4. Kr = Rated transformation constant
5. Ls = Secondary winding inductance
6. Rs = Secondary winding resistance
7. SRF = Self Resonate Frequency
8. Ipa = Actual primary current
9. Vsa = Actual secondary output voltage

**Low Frequency Equivalent Circuit**



**Mechanical**

**PA3207NL**



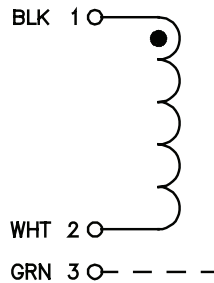
# SIDEWINDER® - CURRENT SENSOR

PA3207NL Series



## Schematic

PA3207NL



## For More Information

### Pulse Worldwide Headquarters

12220 World Trade Drive  
San Diego, CA 92128  
U.S.A.

Tel: 858 674 8100  
Fax: 858 674 8262

### Pulse Europe

Zeppelinstrasse 15  
71083 Herrenberg  
Germany

Tel: 49 7032 7806 0  
Fax: 49 7032 7806 12

### Pulse China Headquarters

B402, Shenzhen Academy of  
Aerospace Technology Bldg.  
10th Kejinan Road  
High-Tech Zone  
Nanshan District  
Shenzhen, PR China 518057

Tel: 86 755 33966678  
Fax: 86 755 33966700

### Pulse North China

Room 2704/2705  
Super Ocean Finance Ctr.  
2067 Yan An Road West  
Shanghai 200336  
China

Tel: 86 21 62787060  
Fax: 86 2162786973

### Pulse South Asia

135 Joo Seng Road  
#03-02  
PM Industrial Bldg.  
Singapore 368363

Tel: 65 6287 8998  
Fax: 65 6287 8998

### Pulse North Asia

3F No. 198, Zhongyuan Road  
Zhongli City  
Taoyuan County (32068)  
Taiwan

Tel: 886 3 4356768  
Fax: 886 3 4356823

Performance warranty of products offered on this data sheet is limited to the parameters specified. Data is subject to change without notice. Other brand and product names mentioned herein may be trademarks or registered trademarks of their respective owners. © Copyright, 2012. Pulse Electronics, Inc. All rights reserved.