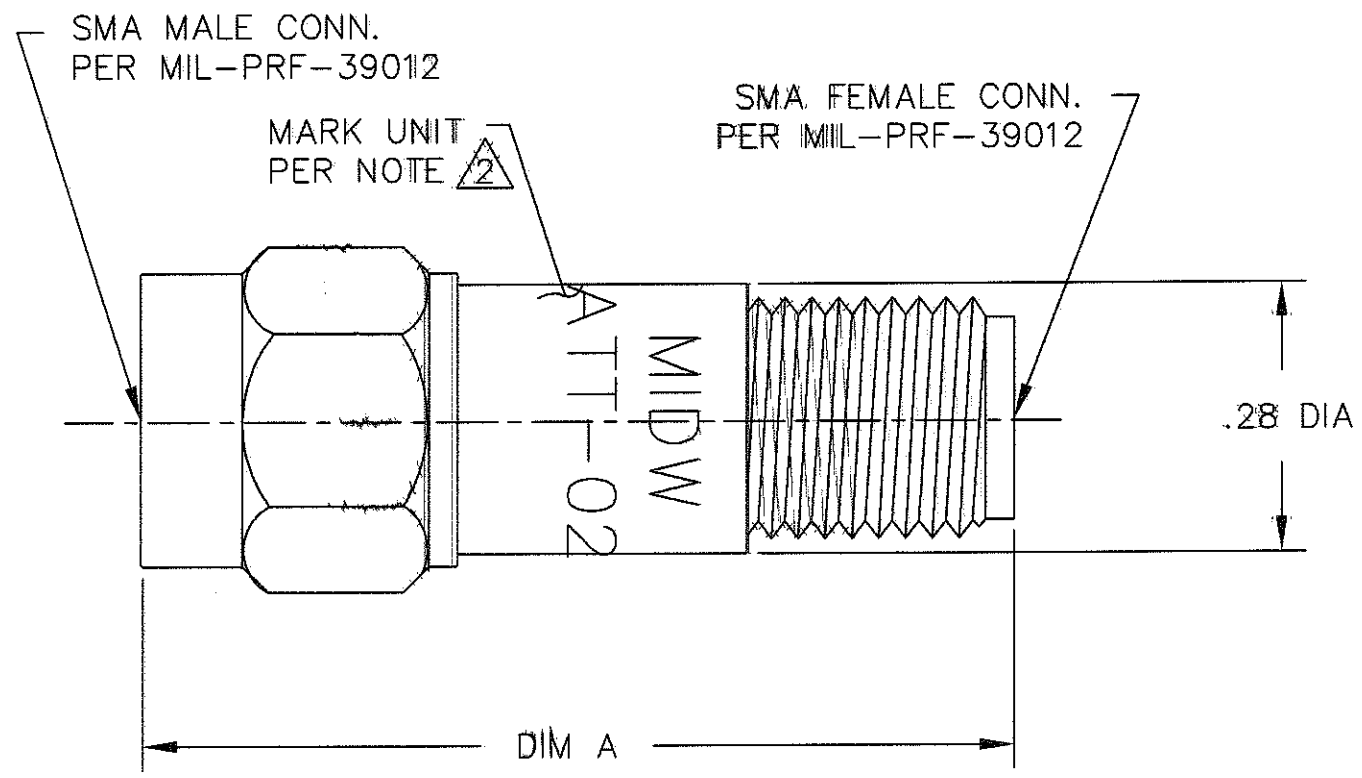


NOTES:

- 1.0 SPECIFICATIONS:
- 1.1 FREQUENCY RANGE: DC to 8.0 GHz
 - 1.2 ATTENUATION VALUES: 1 THRU 30dB
IN 1dB INCREMENTS
 - 1.3 ATTENUATION ACCURACY:
 - 1-10dB ±0.3 dB
 - 11-20dB ±0.5 dB
 - 21-30dB ±1.0 dB
 - 1.4 MAXIMUM VSWR:
1.07+.015f(GHz)
 - 1.5 MAXIMUM INPUT POWER: 2 WATTS AVG.
AT +25°C DERATED LINEARLY TO 0.5
WATTS AT +125°C
 - 1.6 OPERATING TEMP. RANGE: -65°C to +125°C
- △2 MARKING:
2.1 MARK UNIT AS SHOWN
(REF.: INK-09015-27-XX)



| ATTENUATION VALUE | DIM A |
|-------------------|-------|
| 1 - 12dB | .750 |
| 13 - 30dB | .875 |

| REV. | DESCRIPTION | DATE |
|------|------------------------|---------|
| - | RELEASED | 8/3/91 |
| A | ECN 11574 | 2/18/92 |
| b | ECN 11284 | 4/15/92 |
| c | ECN 12138 | 11/4/92 |
| C1 | INK NO. 09016 TO 09015 | 1/3/94 |
| C2 | ADDED TITLEBLOCK | 3/22/05 |
| D | ECN 21185 | 1/10/07 |

| | | | | |
|-------------------------------------------------------------------------------------------------------------------------------------------------------------------------------------------------------------------------------------------------------------------------|------------------------------------------------------------------------------------------------------------------------------------|---------------------------------|--------------------------------------|--------------|
| UNLESS OTHERWISE NOTED DIMENSIONS ARE IN INCHES AND TOLERANCES ARE: 3 PLACE DECIMALS ±.005 2 PLACE DECIMALS ±.02 FRACTIONS ±1/64 PARALLELITY: T.I.R. _____ FLATNESS: T.I.R. _____ CONCENTRICITY: T.I.R. _____ ANGLES AND PERPENDICULARITY: ±1' | FSCM NO. 34078 | MIDWEST MICROWAVE | | |
| | NOTICE: The information contained in this drawing is proprietary and must not be used without the permission of Midwest Microwave. | | TITLE ATTENUATOR | |
| | DRAWN/DATE C.RICKARD 7/31/91 | ENG./DATE G.KOZAIK 8/2/91 | DRAWING NUMBER ATT-0277-XX-SMA-02 | |
| | CHECKED/DATE A.BEATTY 8/2/91 | APPROVED/DATE | SCALE: 5=1 | SHEET 1 of 1 |