



PRODUCT DATASHEET

Lena series

last update 31/10/2016

DETAILS

Product Number	CN13166_LENA-WAS
Family	Lena
Type	RefPack
Color	metal
Diameter	111 mm
Height	37,2 mm
Style	round
Optic Material	
Holder Material	
Fastening	screw, socket
Status	production ready
ROHS Compliant	Yes
Date Updated	31/10/2016



OPTICAL PROPERTIES

LED	Viewing Angle	Light Beam	Efficiency	cd/lm	Connector
Soleriq E30	Asymmetric deg	Asymmetric	83 %	1.000	-

D

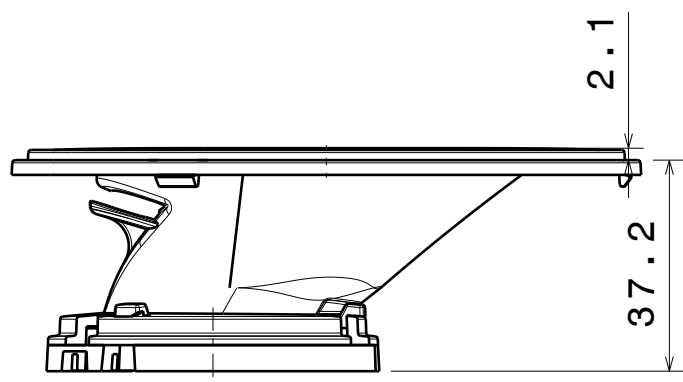
C

B

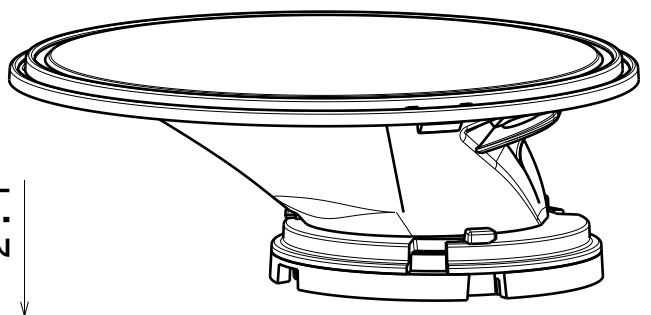
A

4

4



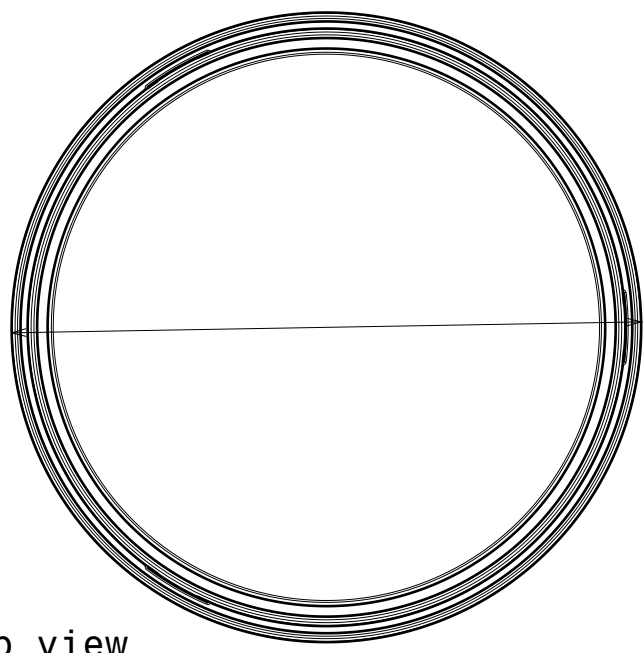
Front view



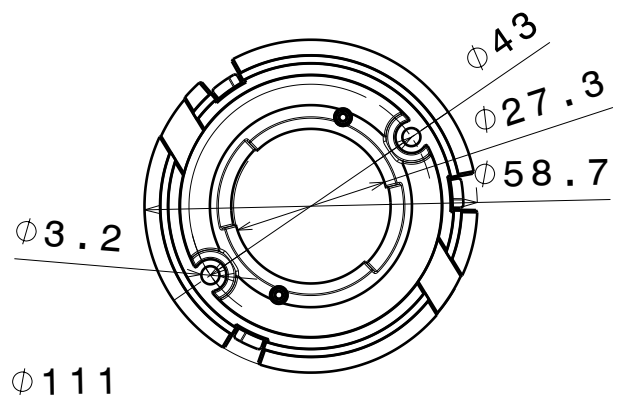
Isometric view

3

3



Top view



Materials

Reflector: PC
 Base part: PC
 Sublens: PC

Note: Using additional sublens add 2,1mm to total height.

2

2

This drawing is our property.
 It can't be reproduced
 or communicated without
 our written agreement.

LEDiL LediL Oy
 Salorankatu 10
 FIN 24240 SALO
 Finland

DRAWING TITLE Mechanical drawing

DRAWN BY
 as

DATE
 26.9.2012

LENA-WAS

CHECKED BY
 VS

DATE
 -

SIZE
 A4

PART NUMBER

REV
 001

DESIGNED BY
 -

DATE
 -

SCALE 1:4 WEIGHT - mg

SHEET 1/1

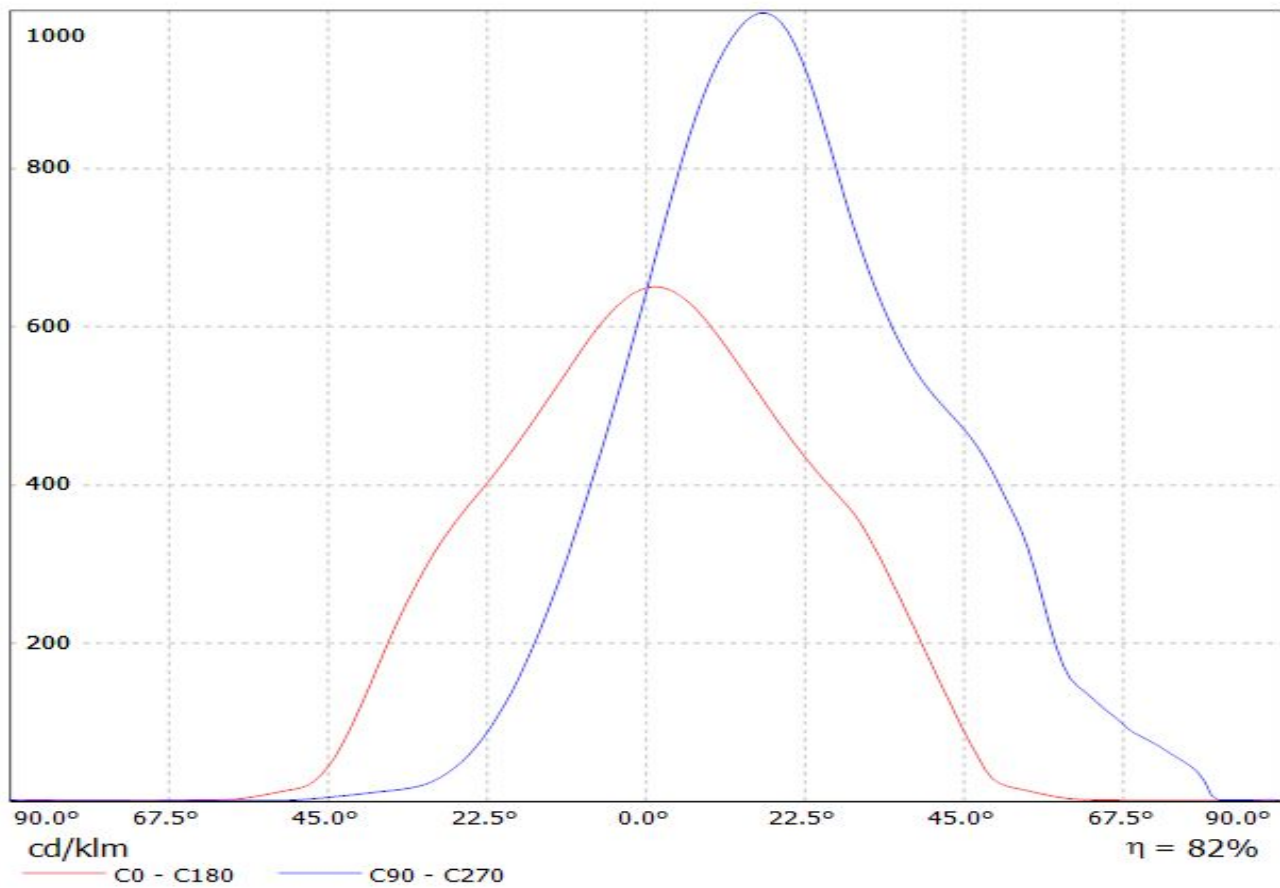
1

1

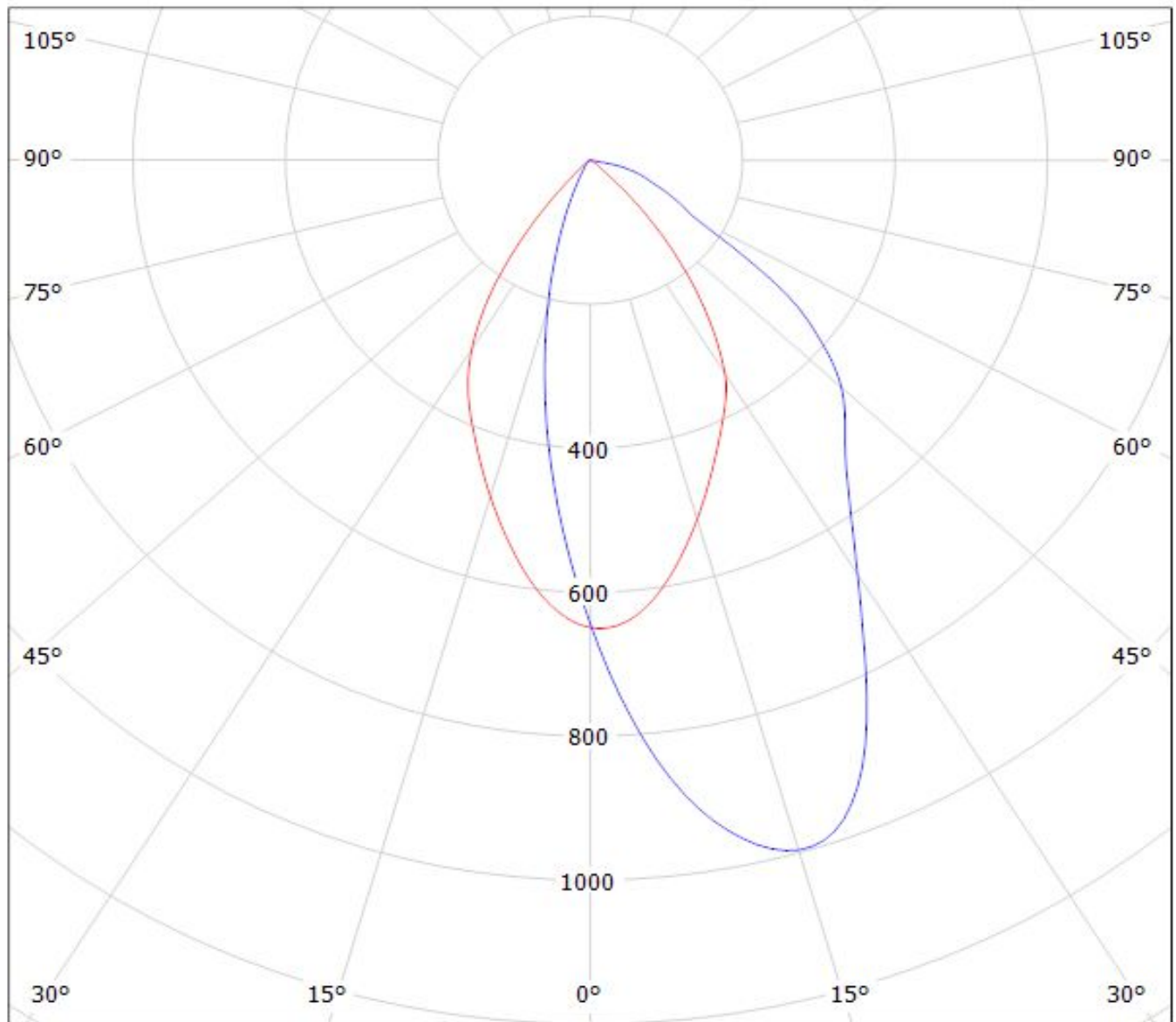
D

A

Luminaire: LEDiL Oy CN13166_LENA-WAS_(SoleriqE30)
Lamps: 1 x Osram Soleriq E30 (1262.22lm@250mA)



Luminaire: LEDiL Oy CN13166 LENA-WAS_(SoleriqE30)
Lamps: 1 x Osram Soleriq E30 (1262.22lm@250mA)



cd/klm

— C0 - C180

— C90 - C270

$\eta = 82\%$

NOTE: The typical divergence will be changed by different color, chip size and chip position tolerance. The typical total divergence is the full angle measured where the luminous intensity is half of the peak value.

GENERAL INFORMATION

- Product series especially designed & optimized for series of LEDs.
- Special care taken to make light distribution as uniform as possible.

Note! Due to use of high power COB's with this product, special attention to proper thermal design is highly recommended. LEDiL has no liability for direct, indirect or consecutive damages arising from the LEDiL products being used outside of the recommended temperature range.