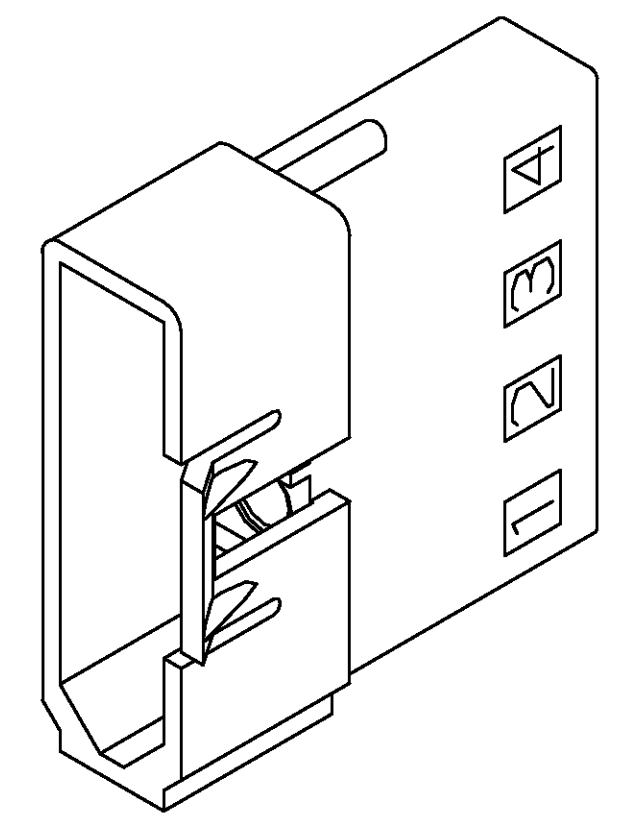
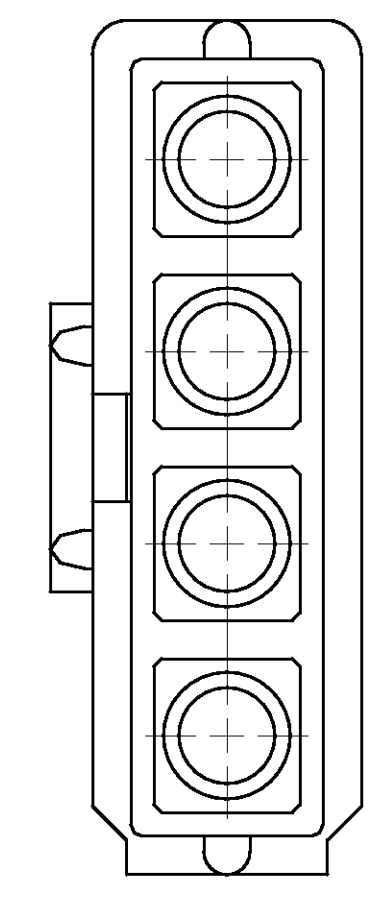
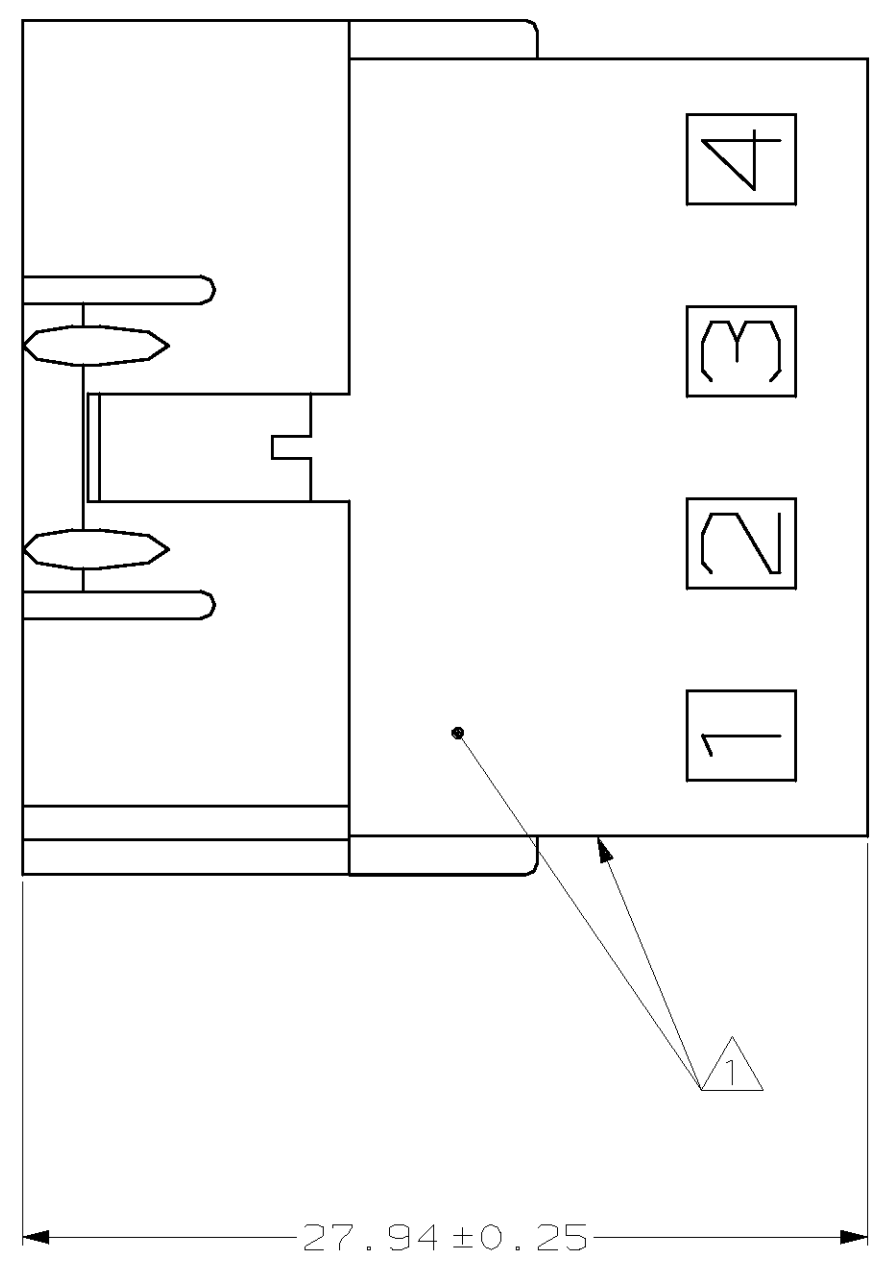
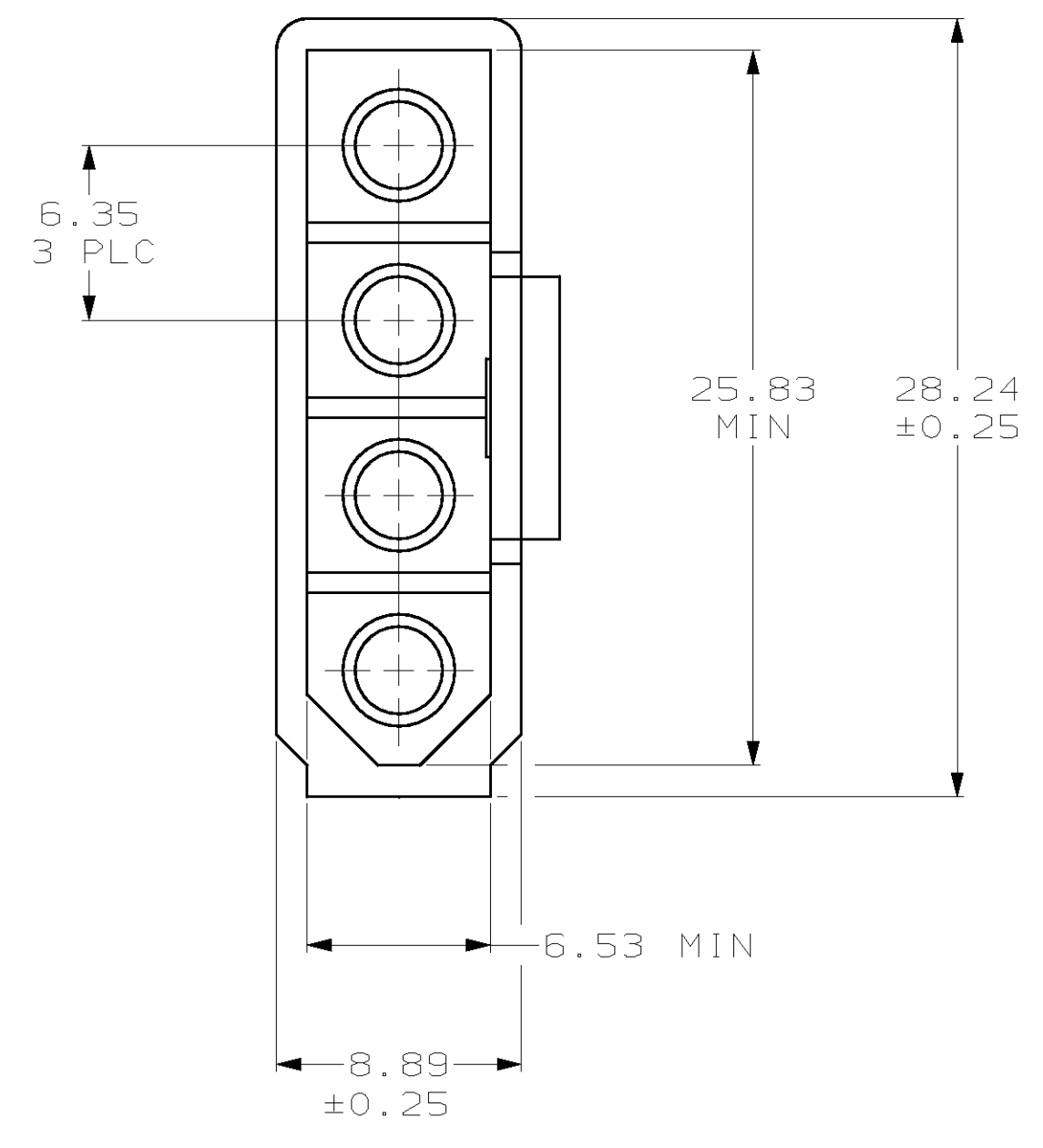


LOC	QTY	REV	DATE	BY	APPV
CM	53	D	9-02-98	KW	RS

△ AMP LOGO AND CAVITY NUMBERS LOCATED ON EITHER SURFACE, OPPOSITE SIDE OPTIONAL.



3-DIMENSIONAL MODEL
NTS

28.24	1.112
27.94	1.100
25.83	1.017
8.89	.350
6.53	.257
6.35	.250
0.25	.010
0.13	.005
MM	IN

CONVERSION TABLE

770336-1
PART NUMBER

METRIC

THIS DRAWING IS A CONTROLLED DOCUMENT.

DIMENSIONS:	TOLERANCES UNLESS OTHERWISE SPECIFIED:	OWN: K. WHITAKER 9-02-98	AMP AMP Incorporated Harrisburg, PA 17105-3608
mm	9 PLC ±-	CHK: R. SWING 9-02-98	
	1 PLC ±-	APVD: K. CORLE 9-02-98	DATE: 9-02-98
	2 PLC ±0.13	PRODUCT SPEC:	PLUG, 4 CIRCUIT, .250 PIN AND SOCKET
	3 PLC ±-	APPLICATION SPEC:	
	4 PLC ±-	HEIGHT:	
MATERIAL: NYLON, JL 94V-2, NATURAL	FINISH: -	SIZE: A1	SCALE: 4:1
CUSTOMER DRAWING		DRAWING NO: 00779	SHEET 1 OF 1

RESTRICTED TO: -